



FRONT RUNNER

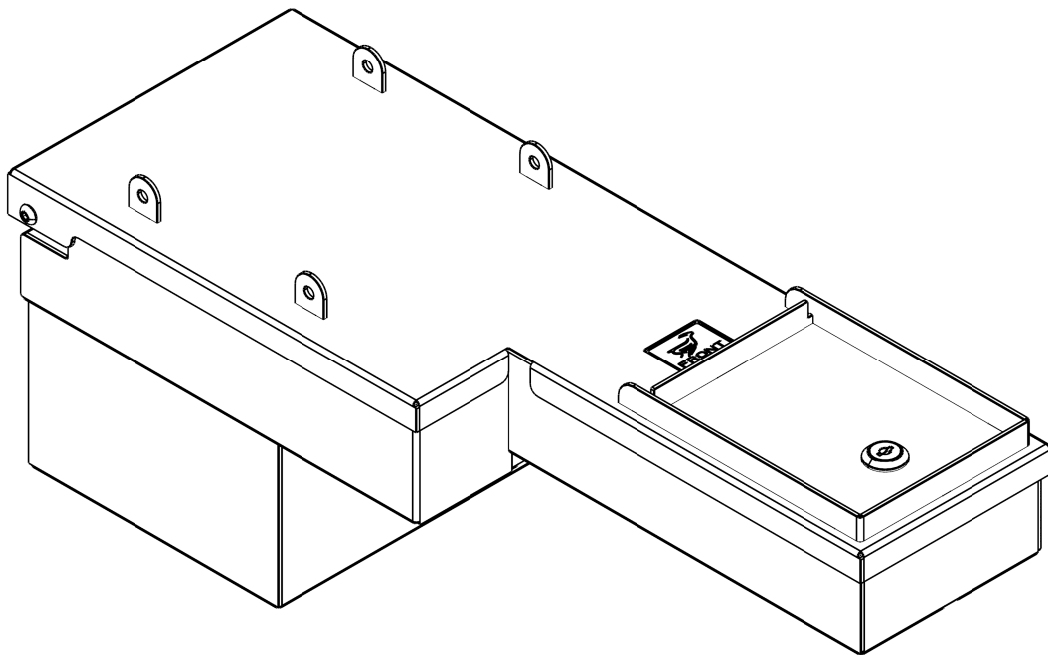
**TOYOTA LAND CRUISER 70
STATION WAGON
UNDER CONSOL SAFE**

ENG

SAFE009



INSTALL TIME: 15 mins



IMPORTANT WARNING!

IT IS CRITICAL THAT ALL FRONT RUNNER PRODUCTS BE PROPERLY AND SECURELY ASSEMBLED AND ATTACHED TO YOUR VEHICLE. IMPROPER ATTACHMENT COULD RESULT IN AN AUTOMOBILE ACCIDENT, AND COULD CAUSE SERIOUS BODILY INJURY OR DEATH TO YOU OR TO OTHERS. YOU ARE RESPONSIBLE FOR ASSEMBLING AND SECURING ALL FRONT RUNNER PRODUCTS TO YOUR VEHICLE, CHECKING THE ATTACHMENTS PRIOR TO USE, AND PERIODICALLY INSPECTING THE PRODUCTS FOR ADJUSTMENT, WEAR, AND DAMAGE. THEREFORE, YOU MUST READ AND UNDERSTAND ALL OF THE INSTRUCTIONS AND CAUTIONS SUPPLIED WITH YOUR FRONT RUNNER PRODUCT PRIOR TO INSTALLATION OR USE. IF YOU DO NOT UNDERSTAND ALL OF THE INSTRUCTIONS AND CAUTIONS, OR IF YOU HAVE NO MECHANICAL EXPERIENCE AND ARE NOT THOROUGHLY FAMILIAR WITH THE INSTALLATION PROCEDURES, YOU SHOULD HAVE THE PRODUCT INSTALLED BY A PROFESSIONAL INSTALLER OR OTHER QUALIFIED PERSONNEL.

1

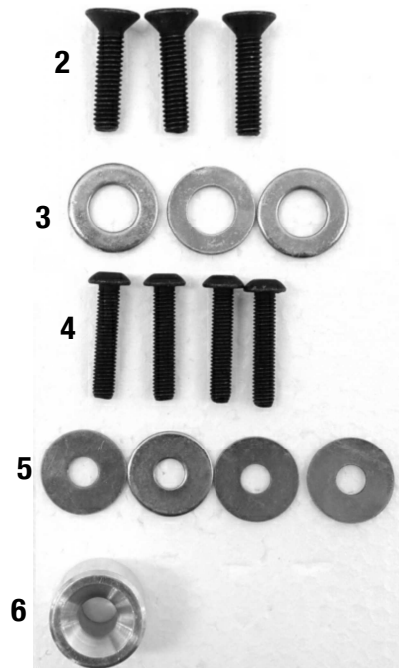
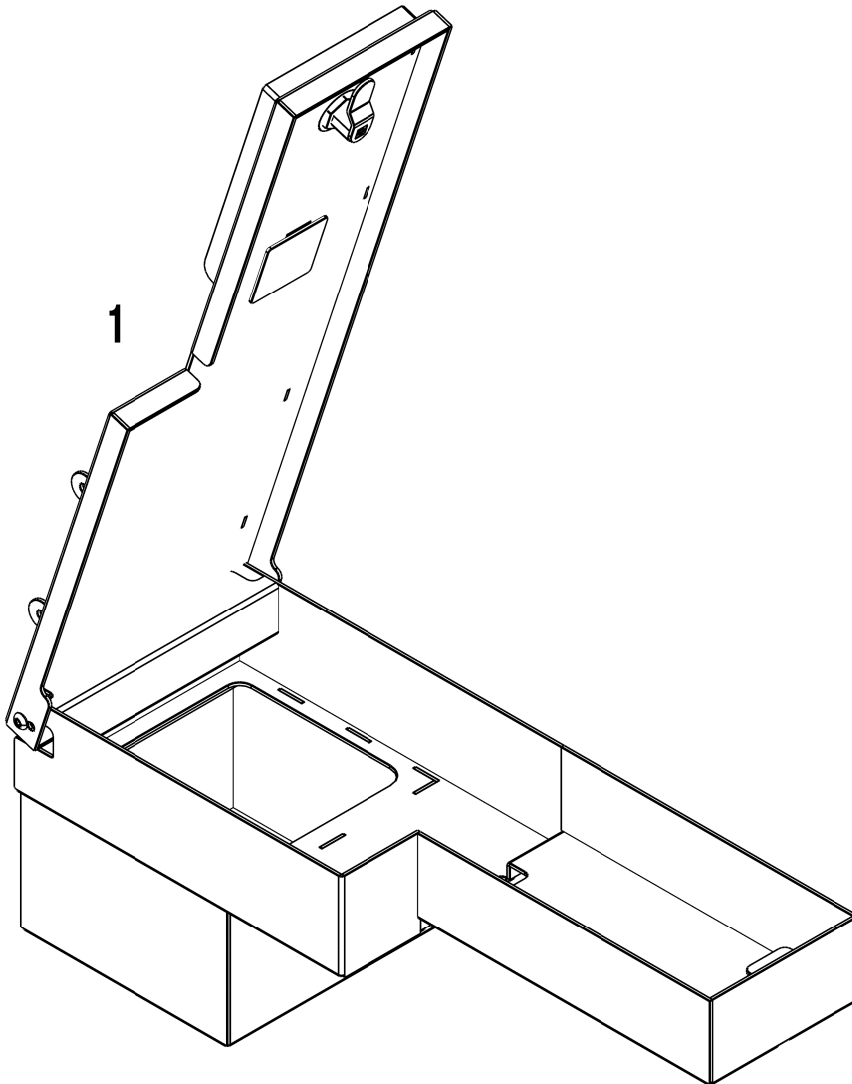
GET ORGANIZED

Here is what you are looking at:

Item #	Quantity	Description
1	1	UNDER CONSOL SAFE
2	3	M6 x 25 COUNTERSUNK BOLT
3	3	M10 FLAT WASHER
4	4	M5 x 25 BUTTON HEAD BOLT
5	4	M6 x 19 FLAT WASHER
6	1	ALUMINIUM SPACER

You will need:

- 14 mm Flat or Socket Wrench
- 3 & 4 mm Hex Key
- Suitable Marker
- Hack Saw



(A) Familiarize yourself with the parts and then step away from the work area and read through these instructions from beginning to end. Take a moment as a little prep now may save you a lot of time later.

2 INSTALL SAFE

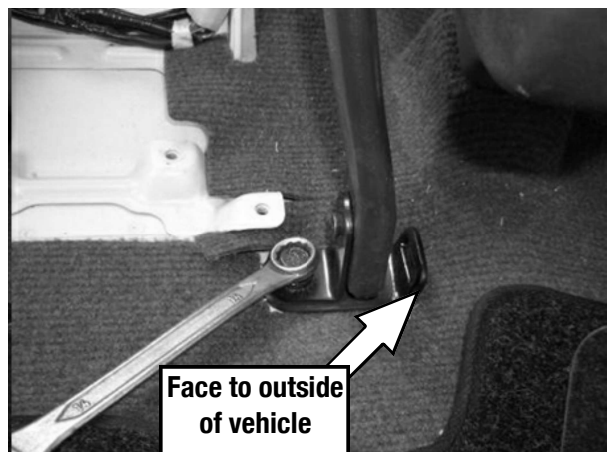
- (A) Loosen the center consol found between the driver and front passenger seat by removing the three screws as indicated, one in the front and one either side on the rear. Remove the consol from the vehicle.



- (B) Loosen and remove the original consol mounting bracket. The two mounting points will be used later to secure the Safe to the vehicle.

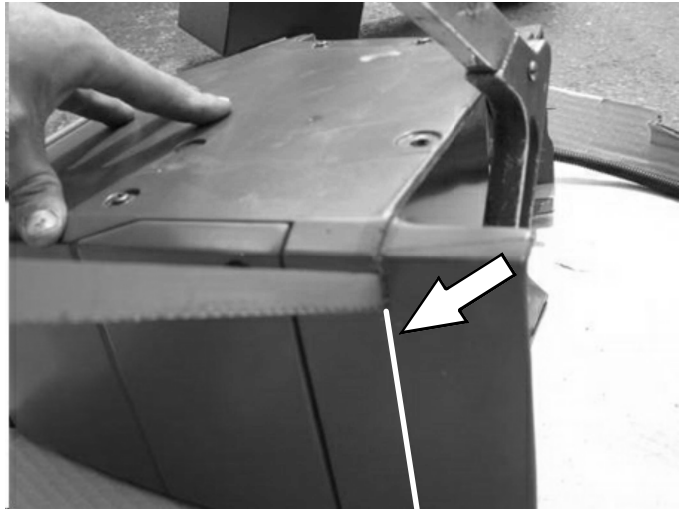


- (C) Loosen and rotate the two seat belt brackets as shown.

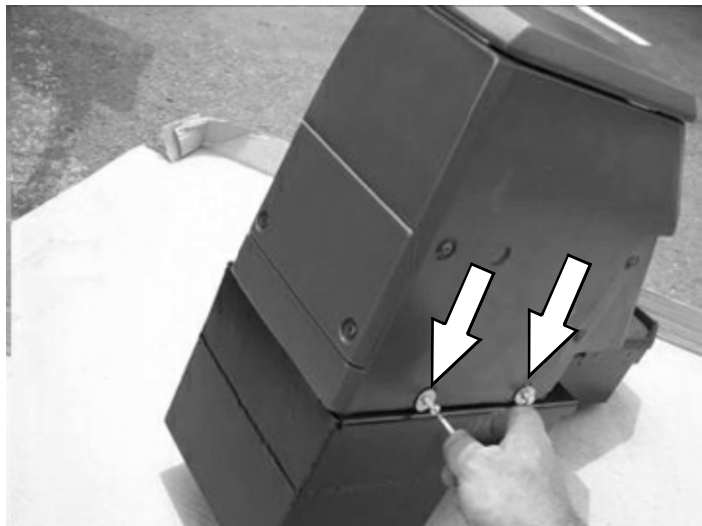


2 INSTALL SAFE CONT...

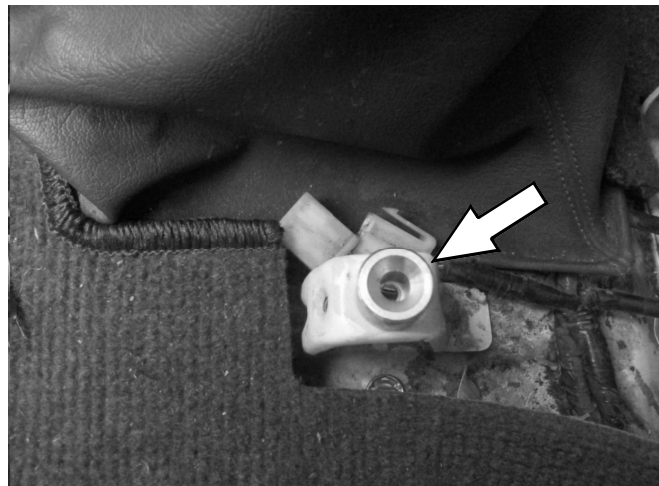
- (D) Mark and cut the rear bottom section off the center consol as shown.



- (E) Place the center consol over the Safe (Item 1) as show, lining up the holes in the side of the center consol with the mounting points on the Safe. Secure the consol to the Safe using four M5 x 25 Button Head Bolts and four M6 x 16 Flat Washers (Items 4 & 5).



- (F) Locate the the front mounting point next to the vehicle's gear lever as indicated by the arrow and place the Aluminium Spacer (Item 6) supplied on top of the mounting point as shown.



2 INSTALL SAFE CONT...

- (G) Open the Safe and consol assembly, remove the interior carpet and hidden compartment cover. Place the Safe and consol assembly into vehicle, lining up the the mounting holes in the floor of the Safe with the mounting points in the vehicle, two from Steps 2B & 2F. Take care that Spacer remains in position.

Loosely secure the safe to the vehicle using the three M6 x 25 Countersunk Bolts and three M10 Flat Washers (Items 2 & 3) supplied. Open and close the Safe to ensure that the position is correct. Tighten all three bolts.



- (H) Refit the interior carpet and hidden compartment cover. Close the Safe, remove the key and place the supplied carpet over the lock and front section of the Safe as shown.



- (I) Congratulations, you have completed your installation. Take a step back and admire your work. Good Job!

3 INSTALL OTHER VEHICLE AND RACK ACCESSORIES

- (A) Now's the time to visit your favourite Front Runner dealer in person or online.