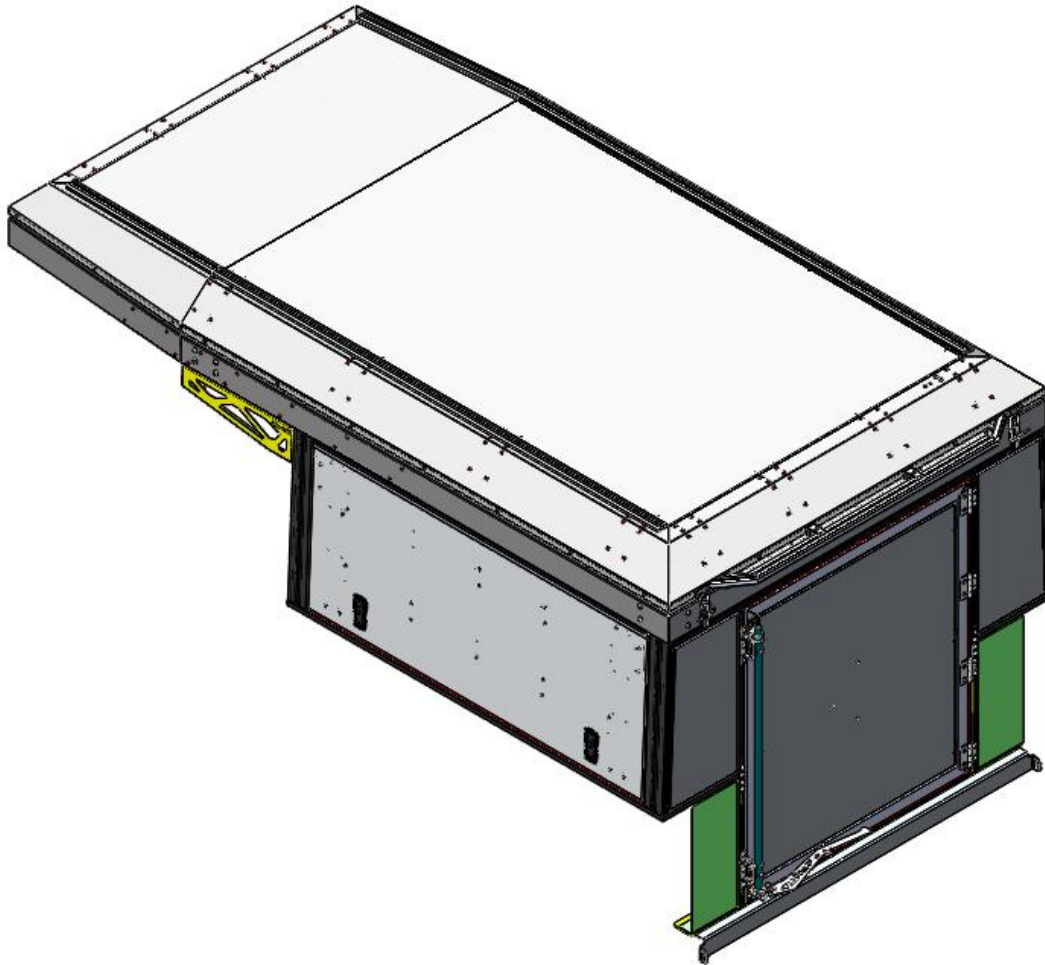


FITMENT INSTRUCTIONS

Alu-CabTM



TOYOTA HILUX VIGO DC & XC CANOPY CAMPER

All rights reserved. No part of this document may be reproduced, translated, stored in a retrieval system, or transmitted, in any form or by any means, electronic, mechanical, photocopying, recording or otherwise, without prior written permission of the owner.

Review all instructions information carefully before installation.

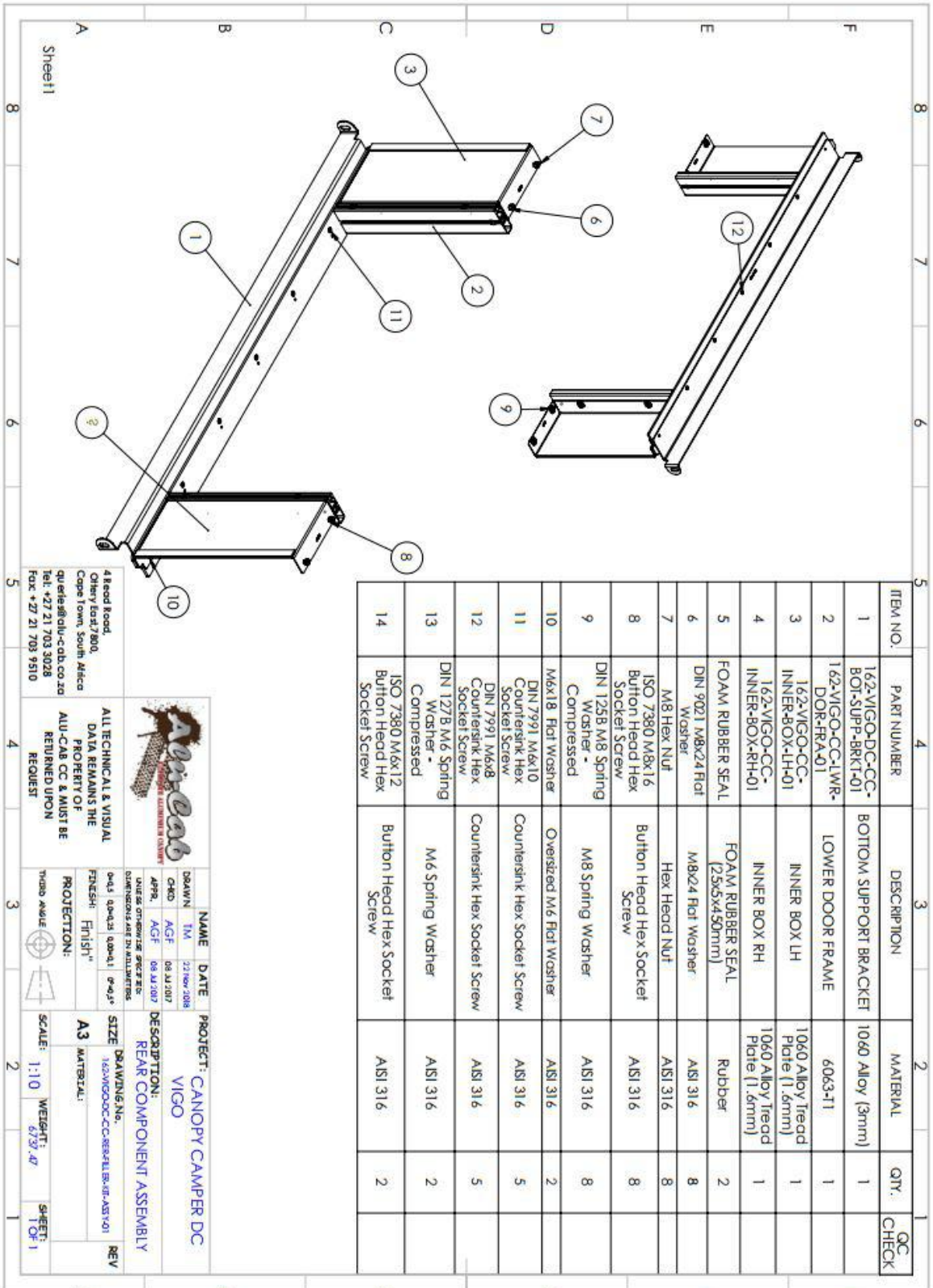
Any damages, direct or incidental to the installer and/or property due to incorrect installation of any parts are the responsibility of the installer. Due to the various applications and fitment options available, the responsibility lies with the user to ensure all mounting points are secure and tight before every trip. If unsure, consult with your Distributor regarding the operations of our products.

Users are advised to be mindful of the load they are carrying and drive in accordance with road conditions.

DISCLAIMER

Alu-Cab

1.Rear filler panel assembly.(Double cab)



4 Road Road,
Cherry Road 7800,
Cape Town, South Africa
qu@vigo-cab.co.za
Tel: +27 21 703 3028
Fax: +27 21 703 9510



ALL TECHNICAL & VISUAL DATA REMAINS THE PROPERTY OF ALL-CAB CC & MUST BE RETURNED UPON REQUEST

NAME	DATE	PROJECT:	CANOPY CAMPER DC
DESIGN	TM	22 Nov 2018	
AGF	08 Jul 2017		
AGF	08 Jul 2017		
DESCRIPTION: REAR COMPONENT ASSEMBLY			
DRAWING No. 162VIGOCC-CC-REAR-BA-01-AST-01			
SIZE	A3		
MATERIAL:			
FINISH:	Finish		
PROJECTION:			
SCALE:	1:10		
WEIGHT:	679,47		
SHEET:	1 OF 1		

1.1 Rear filler panel assembly.(extra cab)

RELEASED FOR MANUFACTURE		8	7	6	5	4	3	2	1
DATE	SIGNED								
11 September 2019	[Signature]								

ITEM NO.	PART NUMBER	DESCRIPTION	MATERIAL	QTY.	QC CHECK
1	162-VIGO-XC-BOT-SUPP-BRKT-01	BOTTOM SUPPORT BRACKET	1060 Alloy (3mm)	1	
2	162-VIGO-CC-INNER-BOX-LH-01	INNER BOX LH	1060 Alloy Tread Plate (1.6mm)	1	
3	Side Rubber Seal	Side Rubber Seal	Rubber	2	
4	DIN 1278 M6 Spring Washer - Compressed	M6 Spring Washer	AS1 316	2	
5	M6x12 Button Head Hex Socket Screw	Button Head Hex Socket Screw	AS1 316	2	
6	DIN 9021 M8x24 Flat Washer	M8x24 Flat Washer	AS1 316	8	
7	DIN 934 M8 Hex Nut	Hex Head Nut	AS1 316	8	
8	ISO 7380 M6x1.6	Button Head Hex Socket Screw	AS1 316	8	
9	DIN 1258 M8 Spring Washer - Compressed	M8 Spring Washer	AS1 316	8	
10	M6x18 Flat Washer	Oversized M6 Flat Washer	AS1 316	2	
11	DIN 7991 M6x10 Countersink Hex Socket Screw	Countersink Hex Socket Screw	AS1 316	5	
12	DIN 7991 M6x8 Countersink Hex Socket Screw	Countersink Hex Socket Screw	AS1 316	5	
13	162-VIGO-CC-INNER-BOX-RH-01	INNER BOX RH	1060 Alloy Tread Plate (1.6mm)	1	

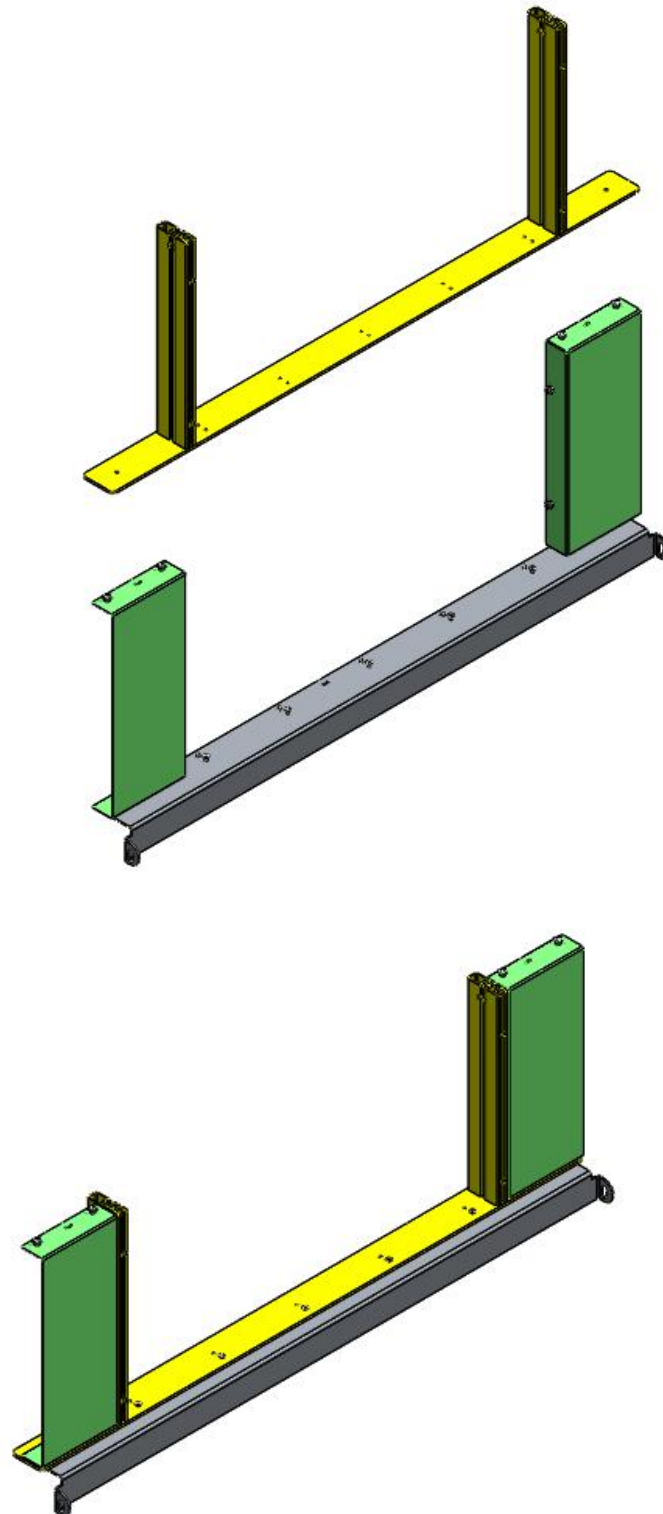
VIGO XC

NAME TM	16 JUL 2019	DATE	16 JUL 2019
PROJECT:	VIGO XC CANOPY CAMPER		
DESCRIPTION:	REAR FILLER KIT ASSEMBLY		
SIZE	DRAWING No. 162-VIGO-XC-CC-BER-FILLER-KIT-AS1-01		
MATERIAL:	A3		
SCALE:	1:10		
WEIGHT:	3078.95		
SHEET:	1 OF 1		

4 Read Road.
Othery East, 7800,
Cape Town, South Africa
quentle@hlu-cab.co.za
Tel: +27 21 703 3028
Fax: +27 21 703 9510

ALL TECHNICAL & VISUAL DATA REMAINS THE PROPERTY OF ALL-CAB CC & MUST BE RETURNED UPON REQUEST

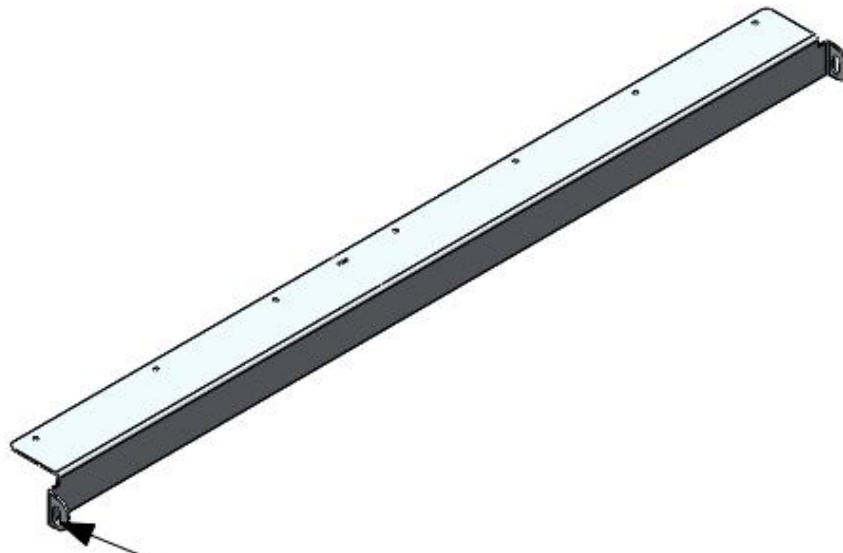
2. Fit lower door frame to filler panel assembly as shown.



WARNING

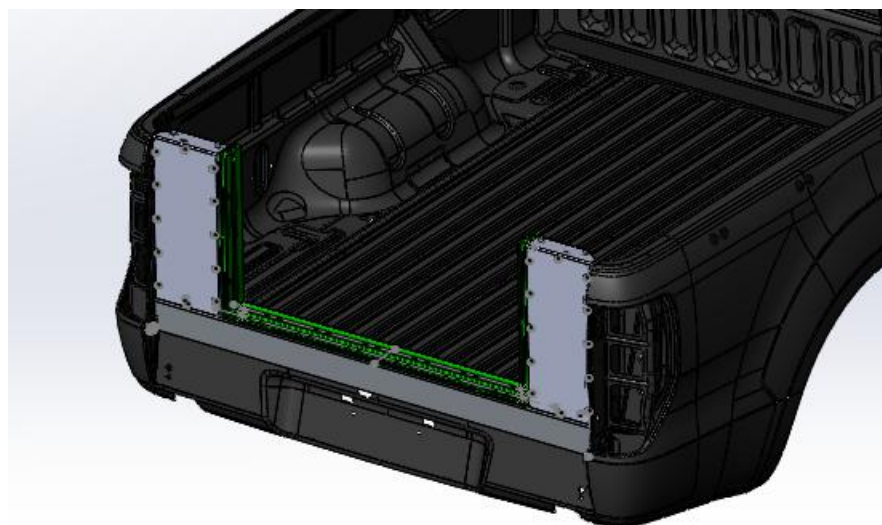
Always wear appropriate PPE (Personal protection equipment) when fitting this product. Although the mounting kit is designed to be DIY, if you have any doubts or concerns, contact an accredited fitment centre to carry out the work. Alu-Cab will not be liable for any injury to persons, and/or damage to products and/or vehicles.

3. Rear bottom support bracket.

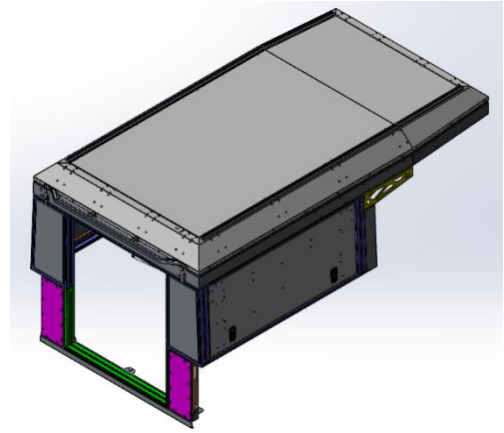
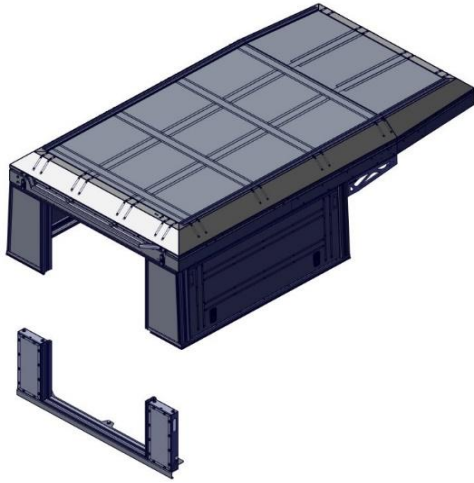


BOLT TO EXISTING THREADED
PIVOT TAIL GATE HOLES
BOTH ENDS.

4. Mount filler panel assembly to load bin as shown.

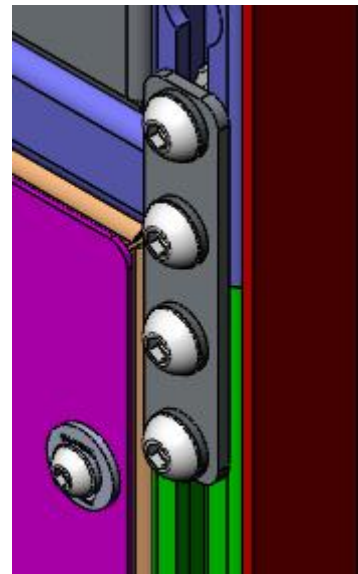
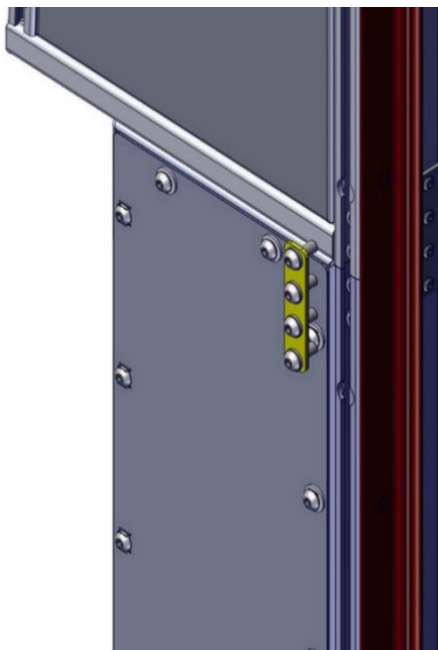


5. Then mount canopy camper base unit on top of load bin.



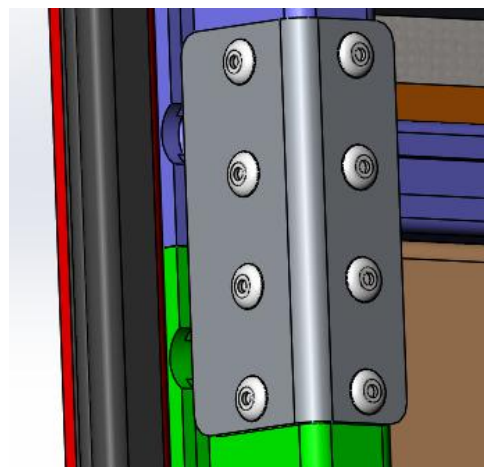
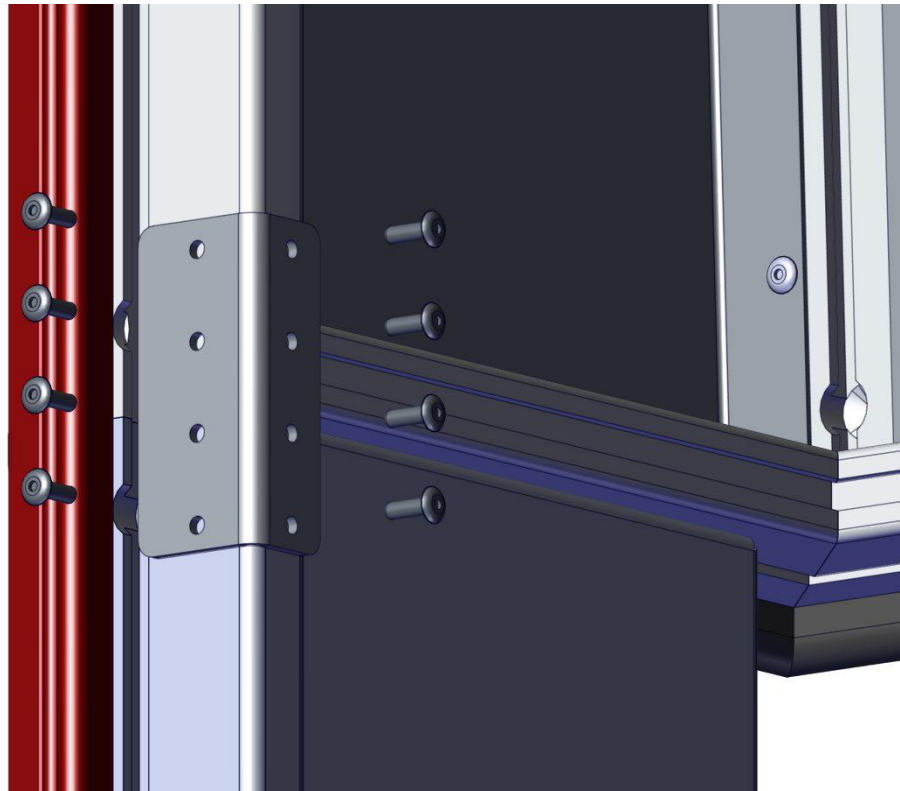
5.1. Connect rear filler panel assembly and base unit as shown.

OUTER MOUNTING ON BOTH JOINTS

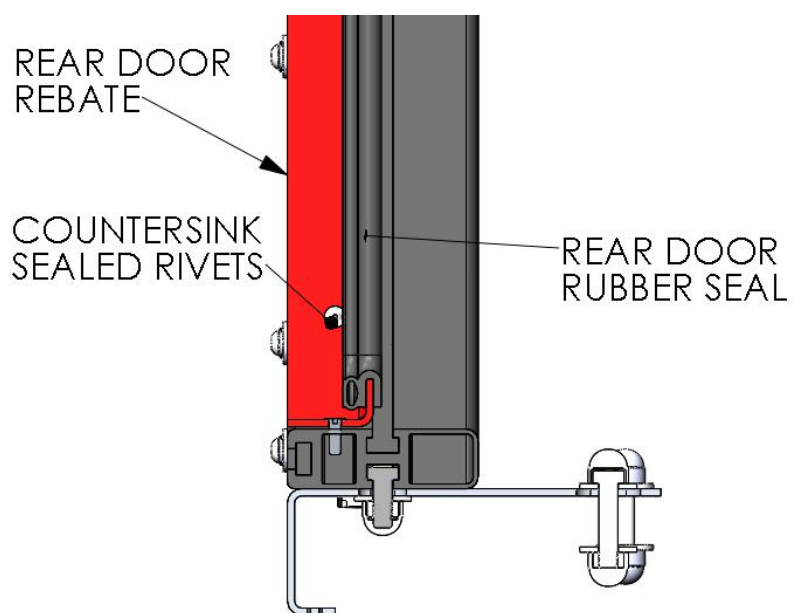
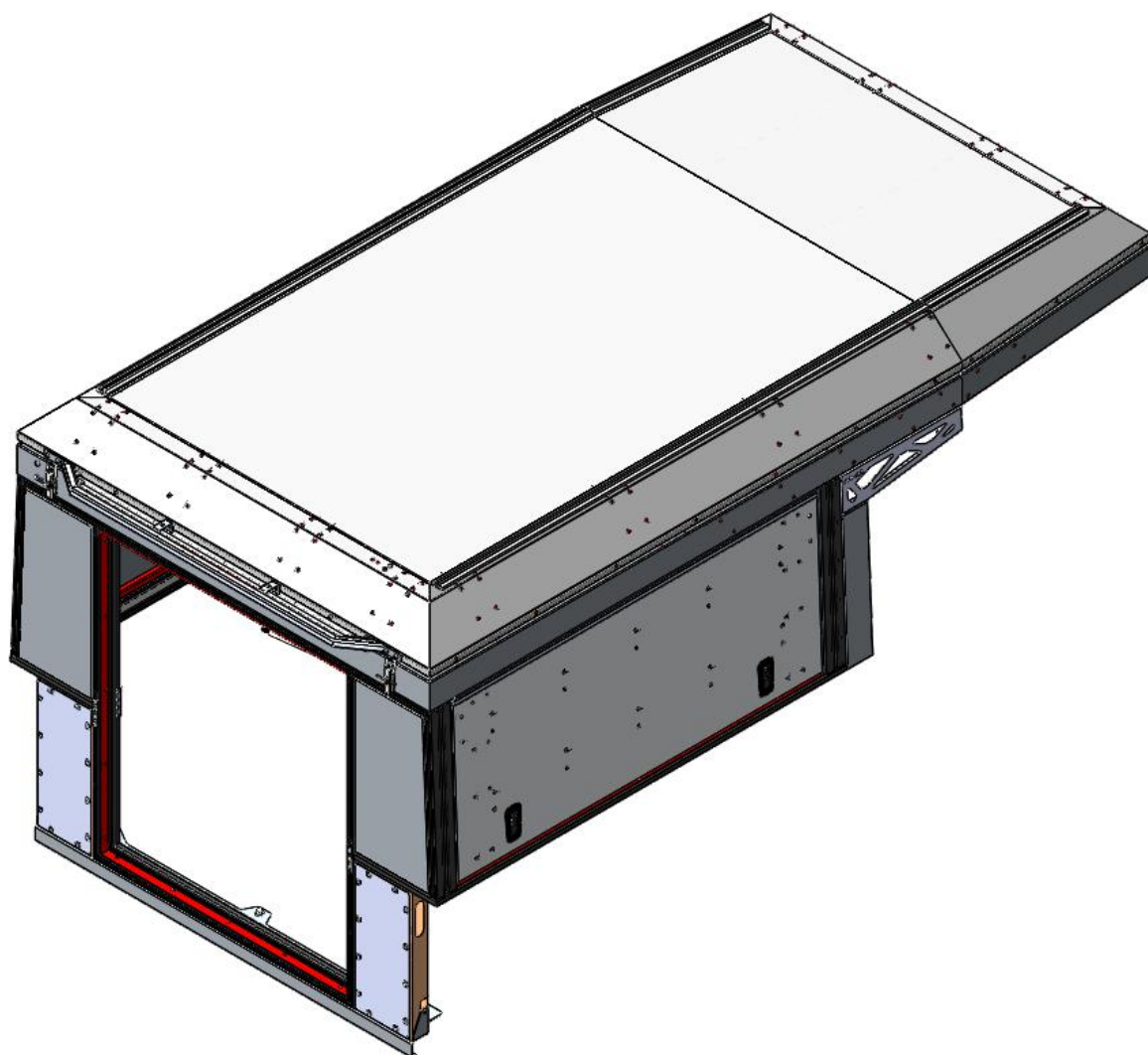


5.2

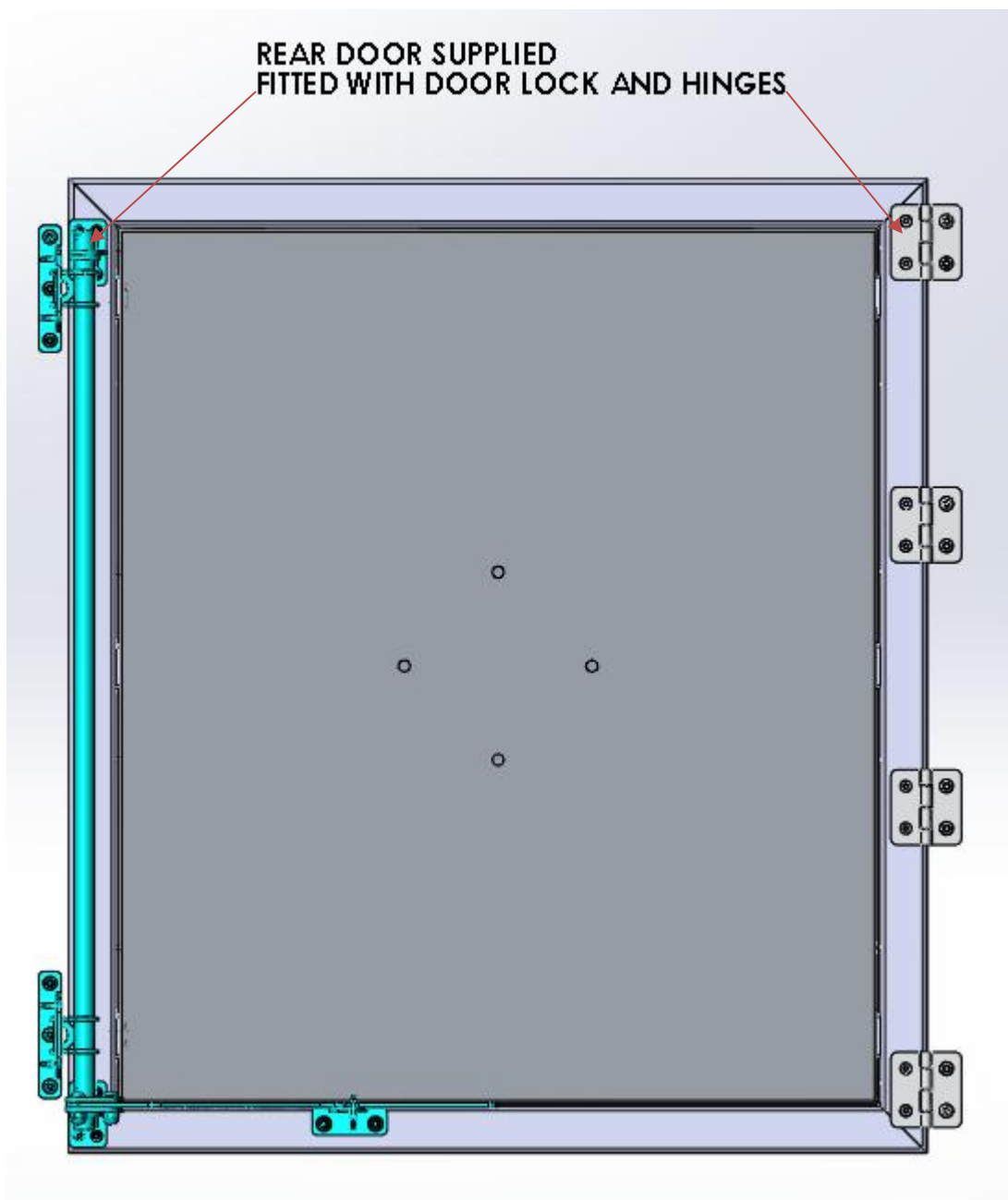
INNER MOUNTING ON BOTH JOINTS



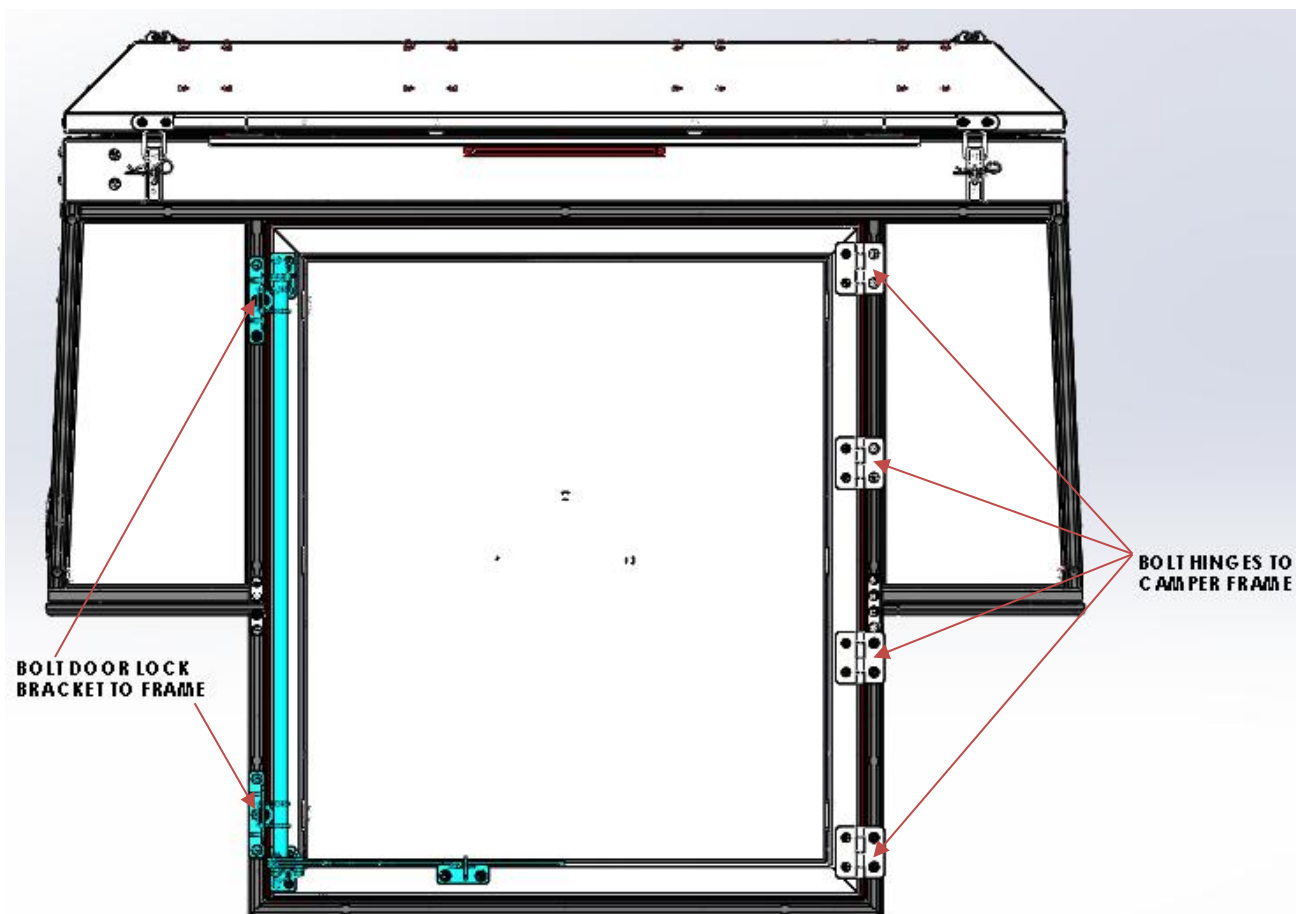
6. Fit rear door rebate with $\text{Ø}4.8 \times 15$ sealed countersink rivets as shown.



7. Fit rear door by mounting 4 x Butt hinges to camper frame as shown. Centre rear door, top to bottom and the hinge centers left to right. Also mount the door lock to the camper frame.



8. Attach hinges and lock to camper frame.



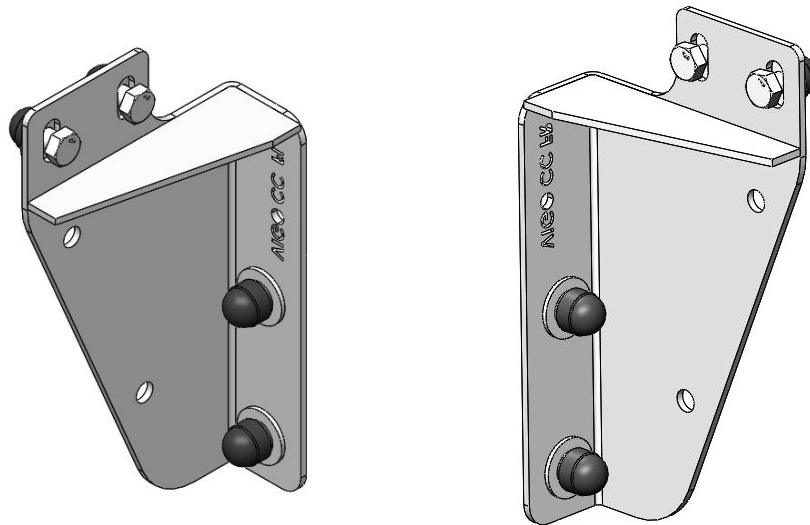
1. Canopy Fitment – Tools, Fasteners & Materials

The tables below show the equipment, i.e. tools and fasteners required to start the canopy fitment for a Ford Ranger.

1.1. Tools Required:

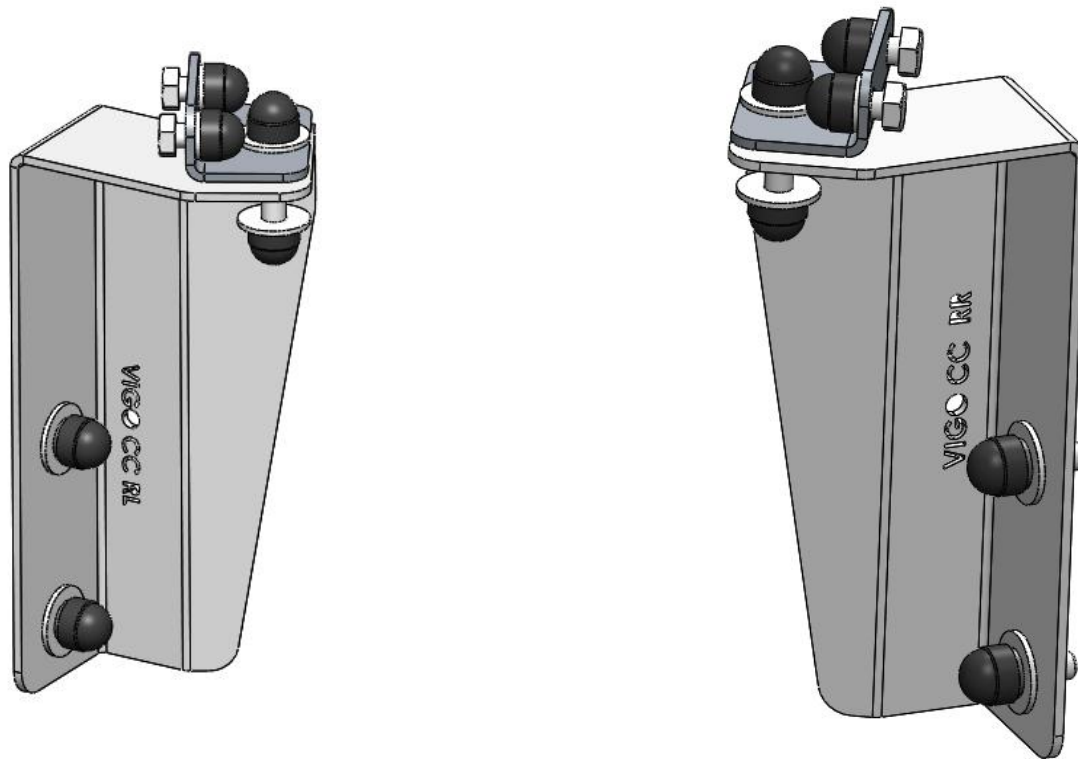
TOOL
Ratchet
T-40 Spline Socket
13mm Socket
13mm Ring Flat Spanner

2. Front left hand and right hand mounting bracket assemblies.



ITEM NO.	PART NUMBER	DESCRIPTION	MATERIAL	QTY.
1	162-VIG O-FNT-MNT-BRKT-LH-01-00	FRONT MOUNT BRACKET LH	Mild Steel (3mm)	1
2	162-VIG O-FNT-GUSS-01-00	FRONT MOUNTING BRACKET GUSSET	Mild Steel (3mm)	1
3	DIN 9021 M8 Flat Washer	Oversized Flat Washer	AISI 316	4
4	DIN 985 M8 Nyloc Nut	Nyloc Nut	AISI 316	2
5	DIN 933 M8x20 Hex Head Bolt	Hex Head Bolt	AISI 316	4
6	M8 Nut Cap	Plastic Nut Cap	PE Low/Medium Density	4
7	DIN 125B M8 Spring Washer - Compressed	M8 Spring Washer	AISI 316	2

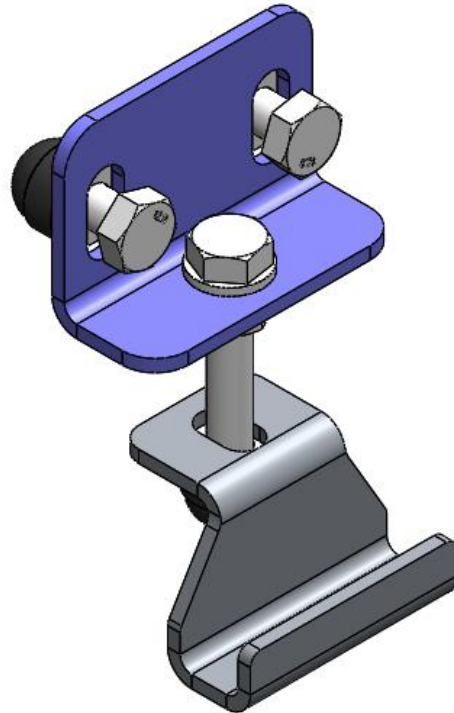
3. Rear left hand and right hand mounting bracket assemblies.



ITEM NO.	PART NUMBER	DESCRIPTION	MATERIAL	QTY.
1	162-VIGO-RER-MNT-BRKT-LH-01-00	REAR LH MOUNT BRACKET	Mild Steel (3mm)	1
2	212-MNT-BRKT-01-00	TOP MOUNTING BRACKET	AISI 304 (3mm)	1
3	M8 Nut Cap	Plastic Nut Cap	PE Low/Medium Density	6
4	M8x40 Hex Head Bolt	Hex Head Bolt	AISI 316	1
5	DIN 9021 M8 Flat Washer	Oversized Flat Washer	AISI 316	4
6	DIN 985 M8 Nyloc Nut	Nyloc Nut	AISI 316	3
7	DIN 125A M8 Flat Washer	Flat Washer	AISI 316	2
8	DIN 933 M8x20 Hex Head Bolt	Hex Head Bolt	AISI 316	4
9	DIN 125B M8 Spring Washer - Compressed	M8 Spring Washer	AISI 316	2

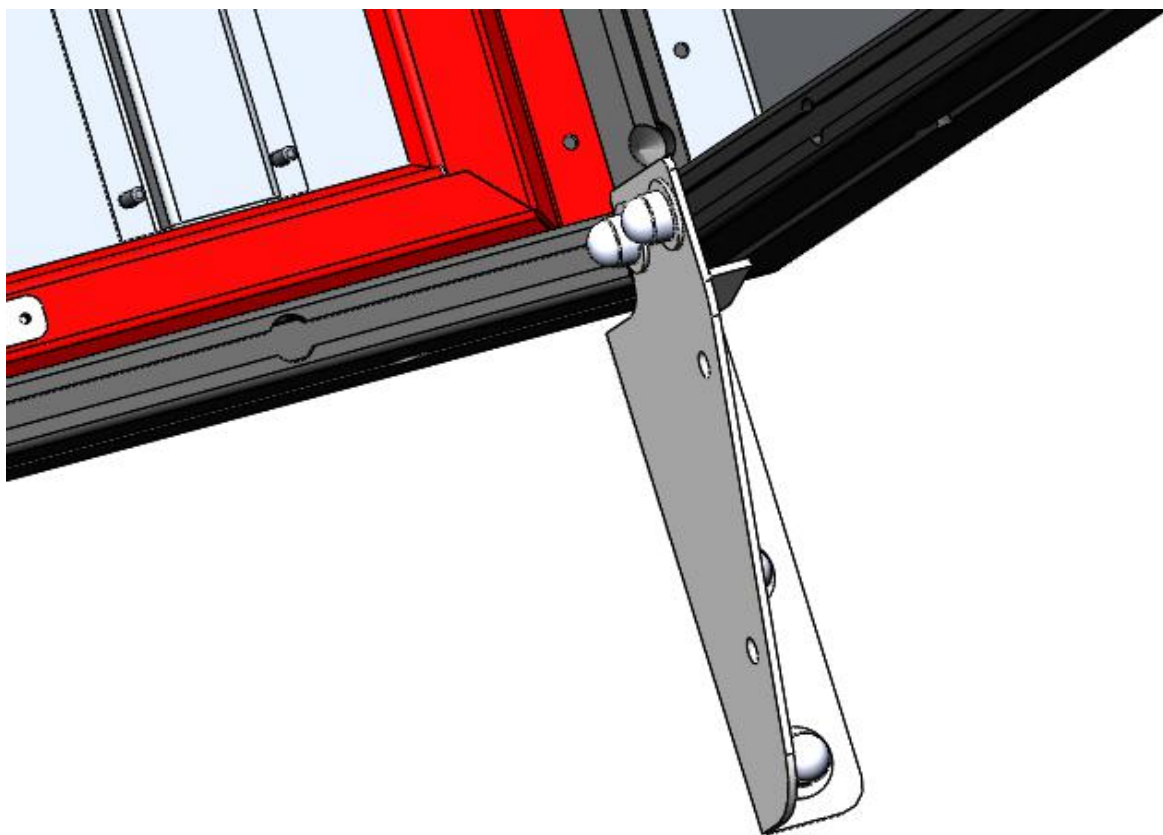
1. Centre mounting bracket assembly.

2 off required.



ITEM NO.	PART NUMBER	DESCRIPTION	MATERIAL	QTY.
1	CMB-000-002	BOTTOM CLAMP BRACKET	AISI 304 (3mm)	1
2	212-MNT-BRKT-02-00	MOUNTING BRACKET 2	AISI 304	1
3	M8x50 Hex Head Bolt	Hex Head Bolt	AISI 316	1
4	DIN 933 M8x20 Hex Head Bolt	Hex Head Bolt	AISI 316	2
5	DIN 125 M8 Flat Washer	Flat Washer	AISI 316	5
6	DIN 985 M8 Nyloc Nut	Nyloc Nut	AISI 316	3
7	M8 Nut Cap	Plastic Nut Cap	PE Low/Medium Density	3
8	M8 Hex Head Nut	Hex Head Nut	AISI 316	1

4. Images below showing front left hand and right hand mounting in position.



5. Images below showing rear right hand and left hand in position.

