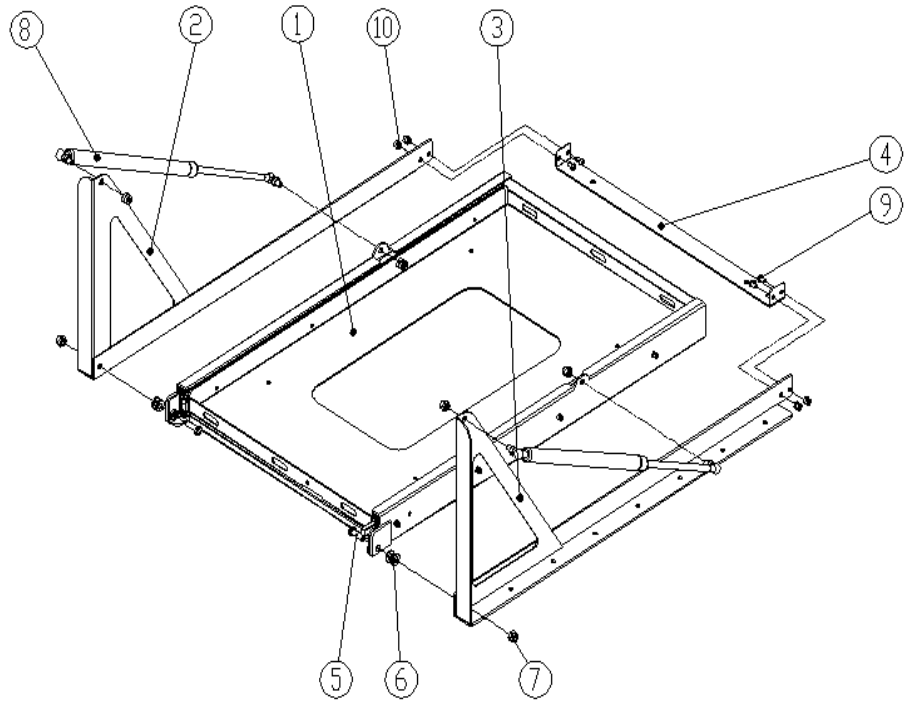
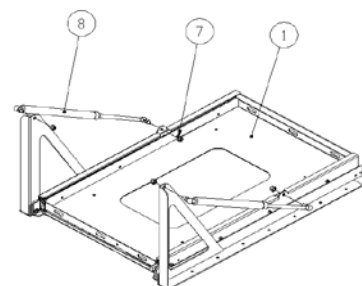
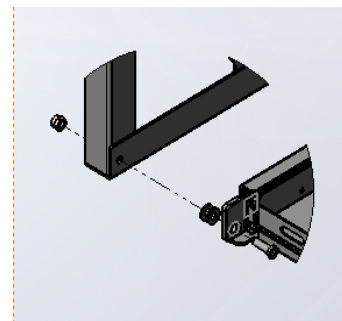
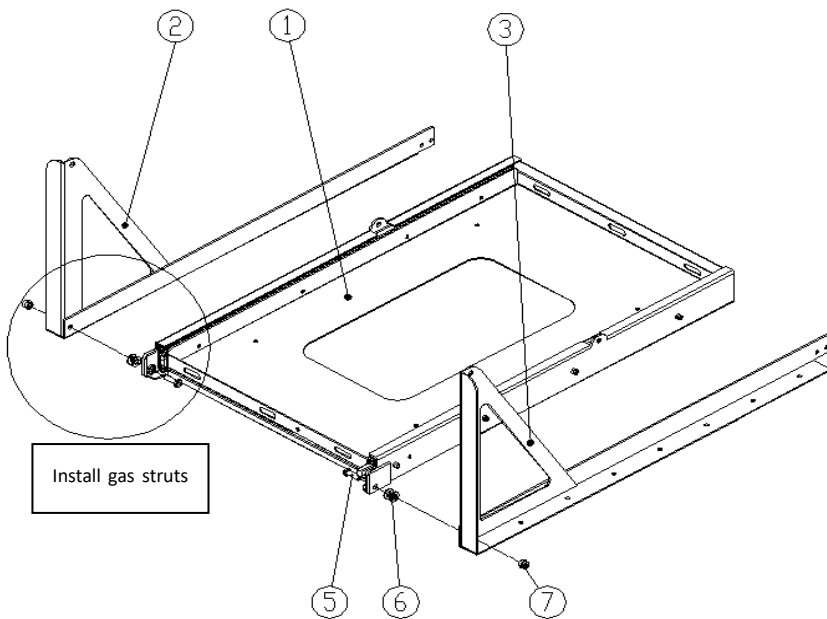


FITTING INSTRUCTION FOR TILT FRIDGE SLIDE

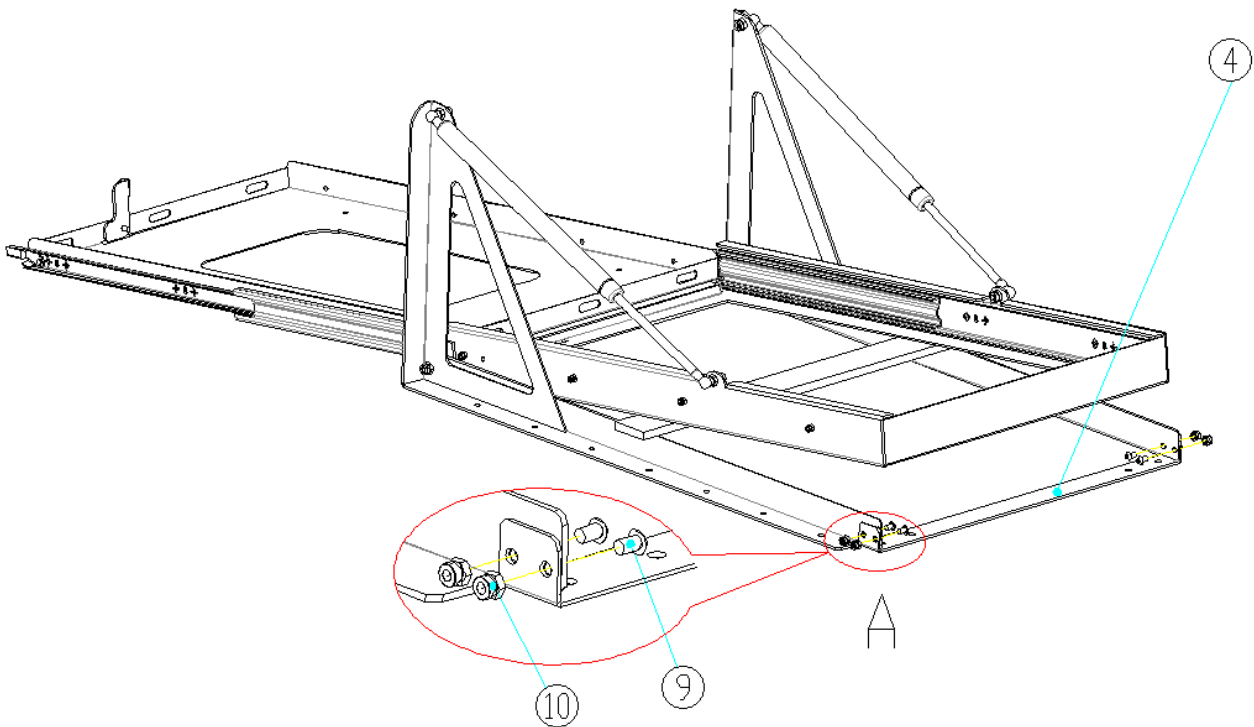
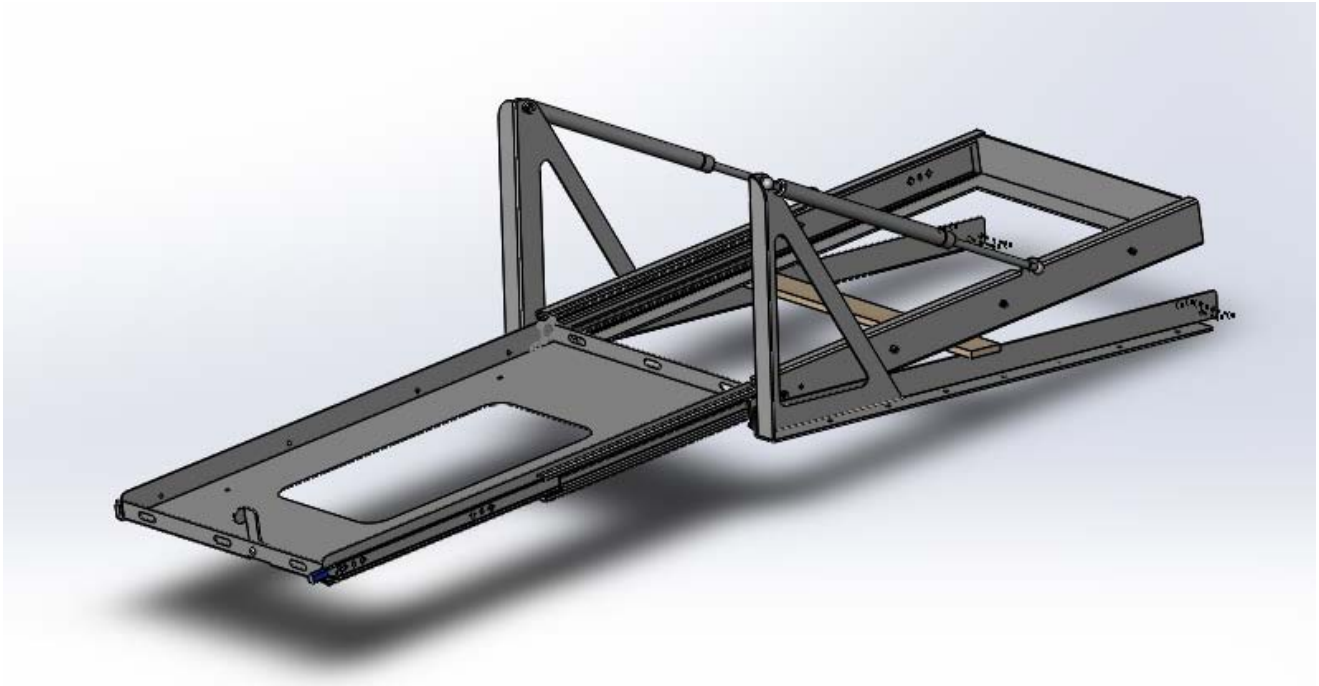
PART LIST		
No.	Description	Q'ty
1	Main frame	1
2	Left gas struts frame	1
3	Right gas struts frame	1
4	Rear cross rib	1
5	M8x25 Pan head socket	2
6	M8x19 Nylon washer	4
7	M8 Nylon nut	6
8	L585mm gas struts	2
9	M6x12 screw	4
10	M6 nylon nut	4
	M6x20mm screw	6
	Tee nut	6
	M6 washer	6



Step 1: Using the M8 bolts and nylon washer to install the left and right gas struts frame.



Step 2: Lift the body frame up to install the rear cross rib by using M6x12 bolts.



Step 3: Using the M6x20mm screws/M6 washers and tee nuts to install slide into vehicle.