

FITTING INSTRUCTIONS

MT64601001L & MT64601001R

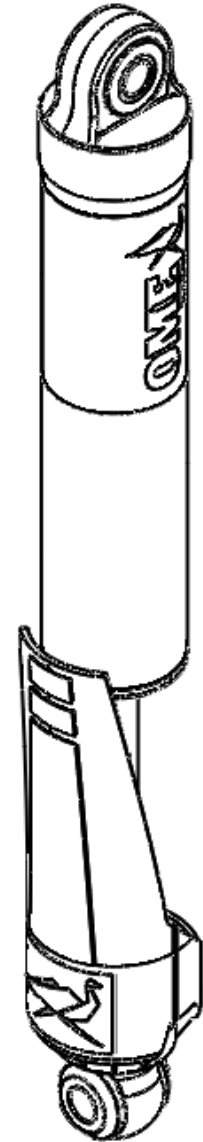
MT64601002L & MT64601002R

TOYOTA HILUX 2015 ON REAR

WARNING

- ◆ This product must be installed exactly as per these instructions using only the hardware supplied.
- ◆ In the event of damage to any suspension component, contact your nearest authorised ARB stockist. Repairs or modifications to the suspension system components must not be attempted.
- ◆ Do not use this product for any vehicle make or model, other than those specified by ARB.
- ◆ Do not remove labels from suspension components.
- ◆ This product or its fixing must not be modified in any way.
- ◆ The installation of this product may require the use of specialized tools and/or techniques.
- ◆ It is recommended that this product is only installed by trained personnel.
- ◆ These instructions are correct as at the publication date. ARB Corporation Ltd. cannot be held responsible for the impact of any changes subsequently made by the vehicle manufacturer.
- ◆ During installation, it is the duty of the installer to check correct operation/clearances of all components.
- ◆ Work safely at all times

Note: These fitting instructions should be read in conjunction with the vehicle workshop manual.

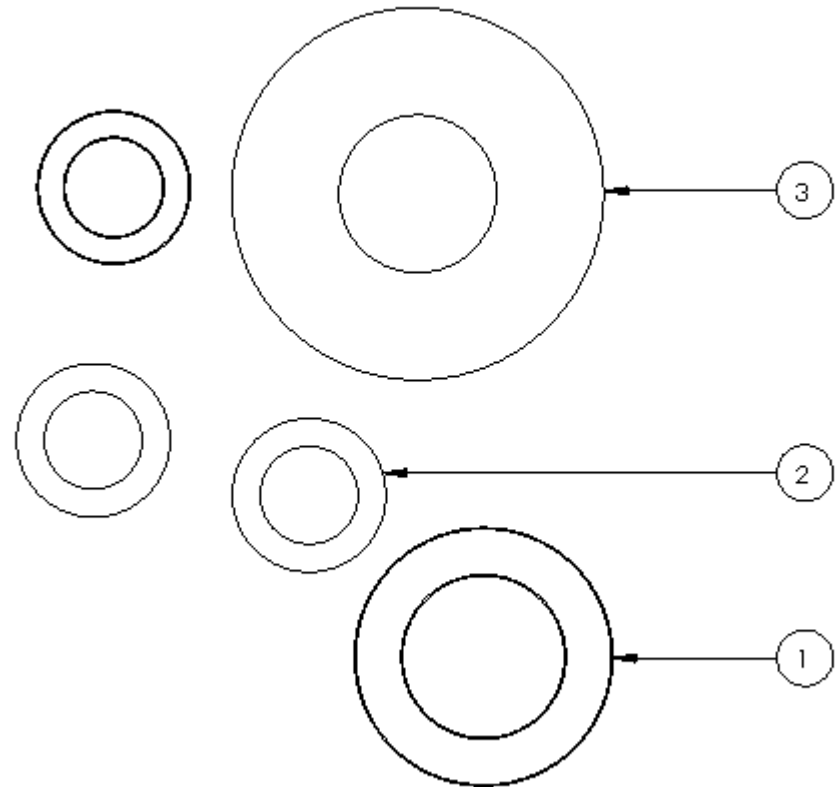
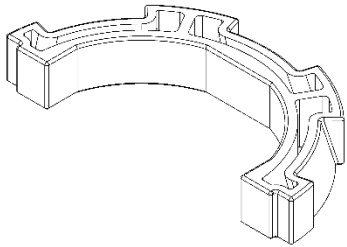


FITTING KIT CONTENTS – VM80010059

Item	Description	Qty	Spare Part Number
1	VE70020002	1	VE70020002SP
2	VE70020001	3	VE70020001SP
3	VE70020010	1	VE70020010SP

Shaft Guard Retainers (supplied with damper)

Spare part number - VD31000003SP



MOUNTING SEQUENCE

Remove old dampers from vehicle.

The MT-64 needs to be fitted with the suspension in droop.

Mount the MT-64 dampers using the hardware in the sequence as shown in the diagram.

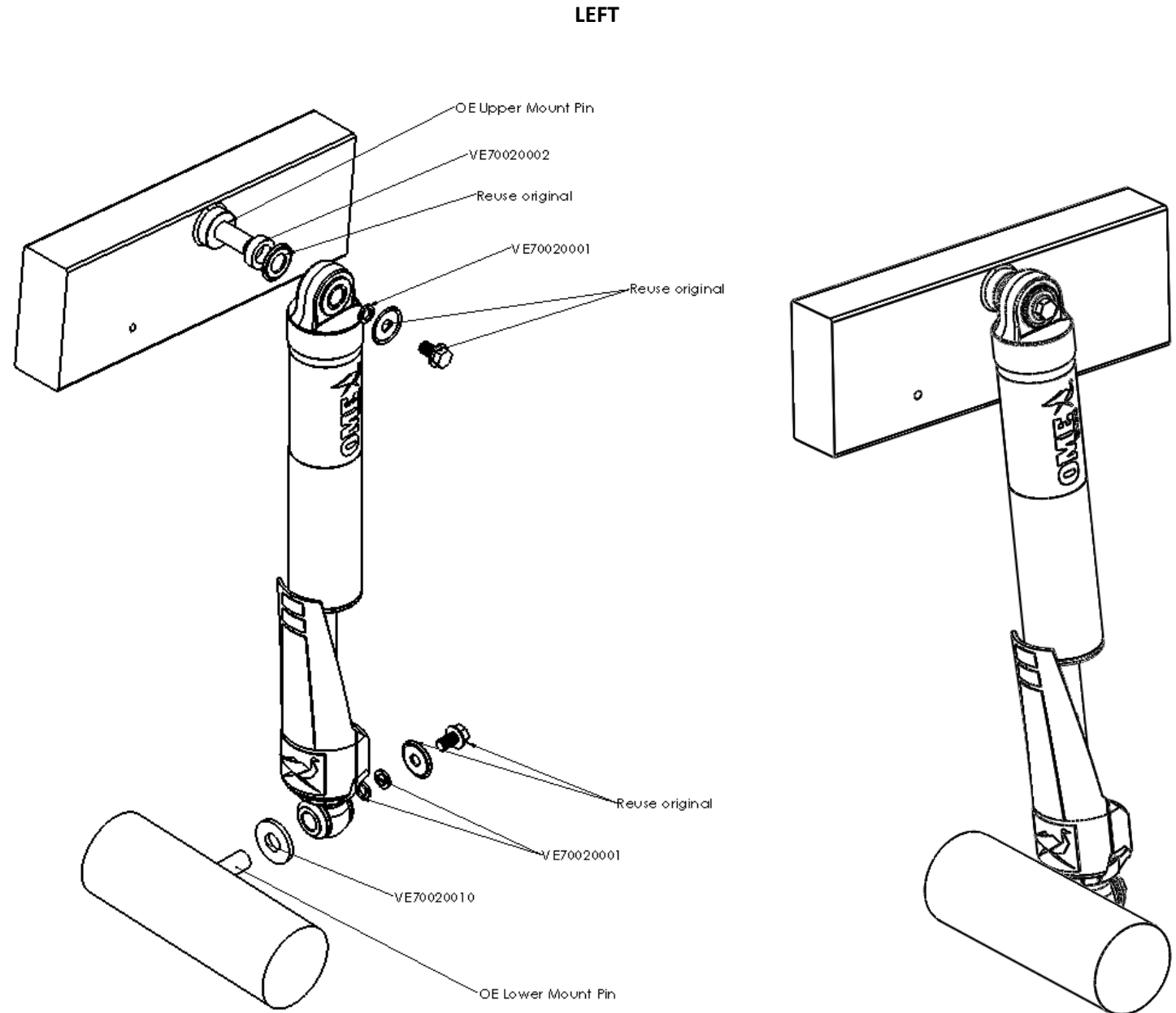
LEFT

Fit the top mount in the sequence shown, Droop the wheel to secure the bottom mount using hardware as shown.

Make sure stone shield to forward facing.

Secure top and bottom mounting fasteners to 98 N.m (72 ft.lbf).

Refer to p6 for securing shaft guard.



RIGHT

Fit the top mount first in the sequence shown, some trimming of the heat shield may be required.

The stone shield can be rotated to allow alignment of damper eye and axle mount.

Droop the wheel to secure the bottom mount as shown. Torque as per LHS.

Rotate stone shield to forward facing.

RIGHT

