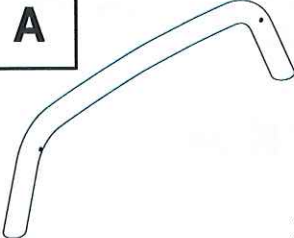
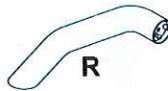
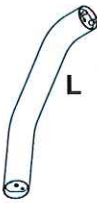
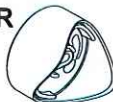

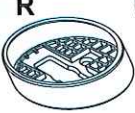

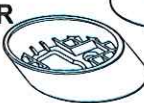

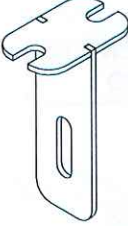

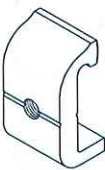
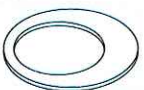
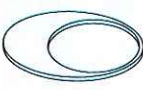
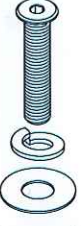
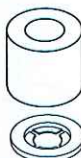






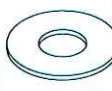
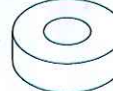

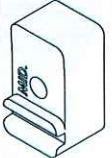




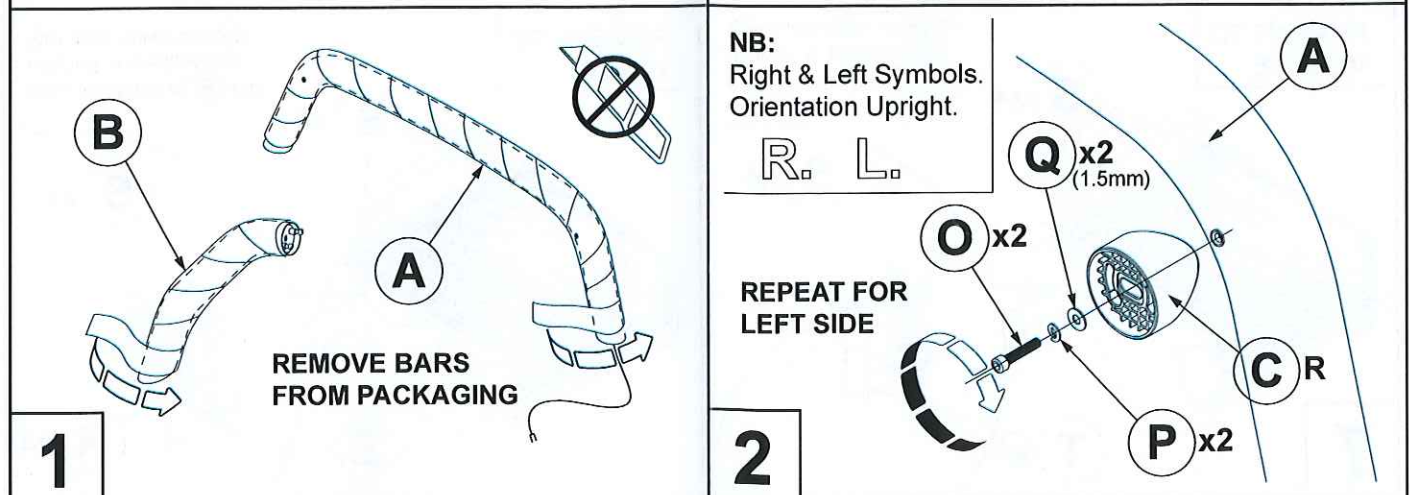
INSTALLATION INSTRUCTIONS (K313)
SPORTBAR
 SB MRK2 TOY HILUX DC 15+

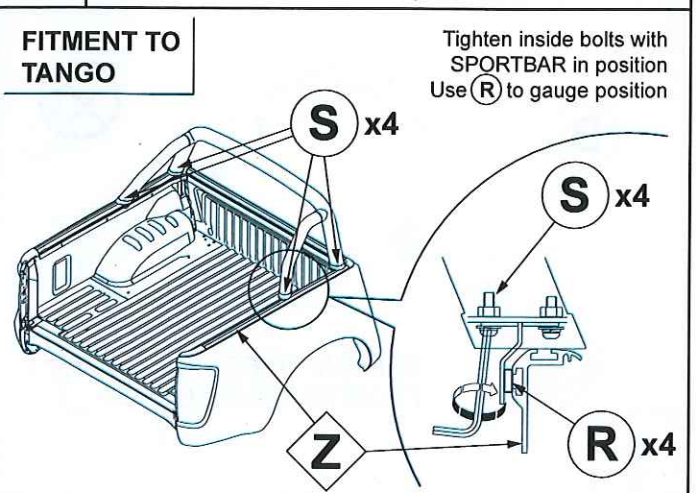
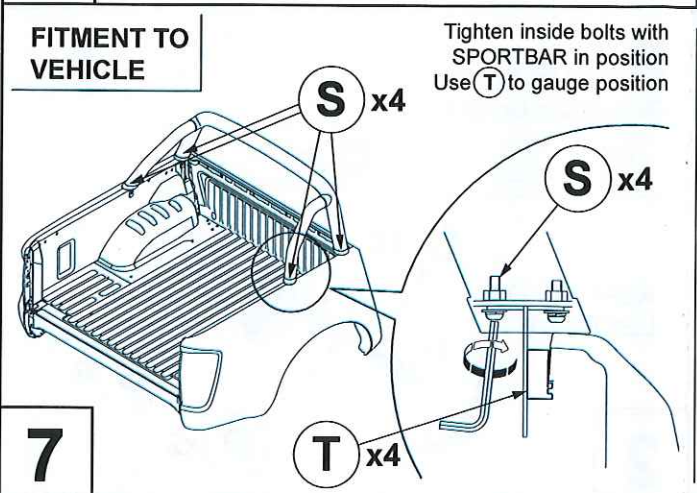
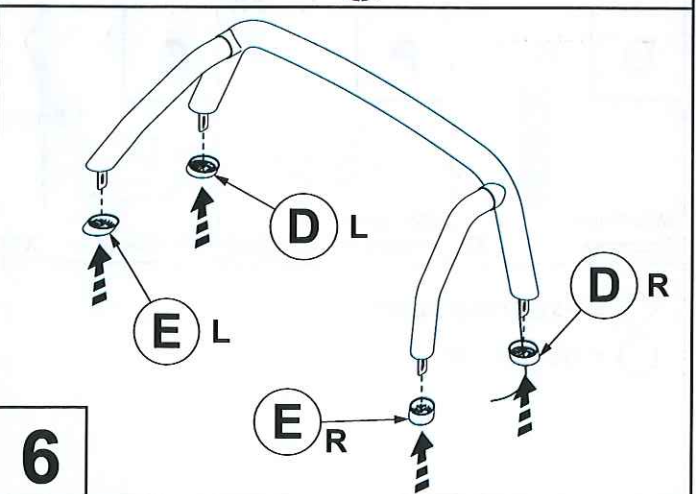
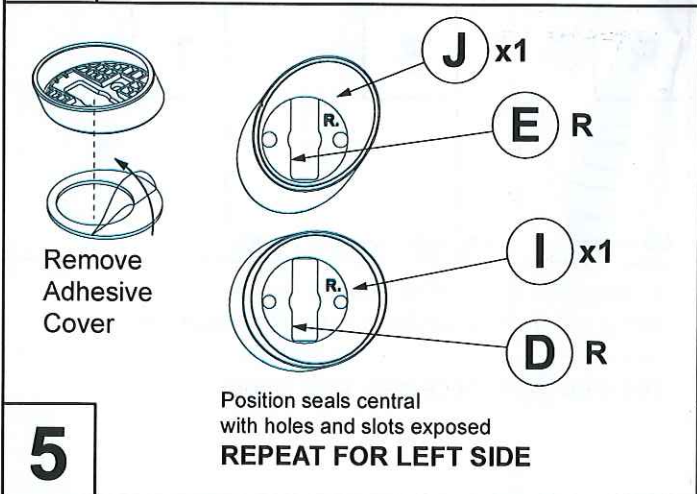
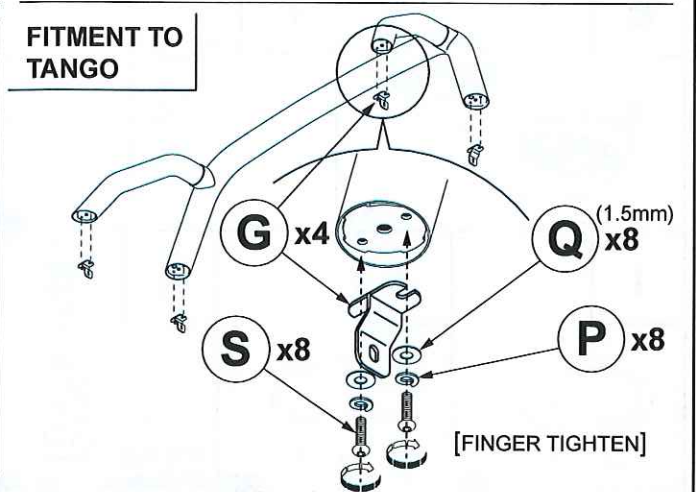
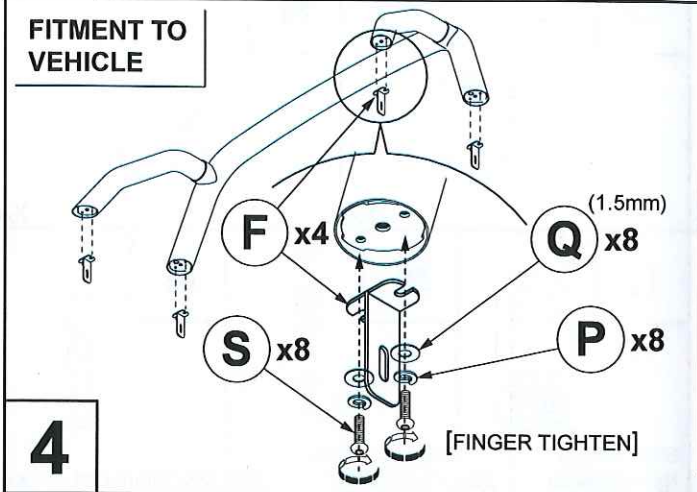
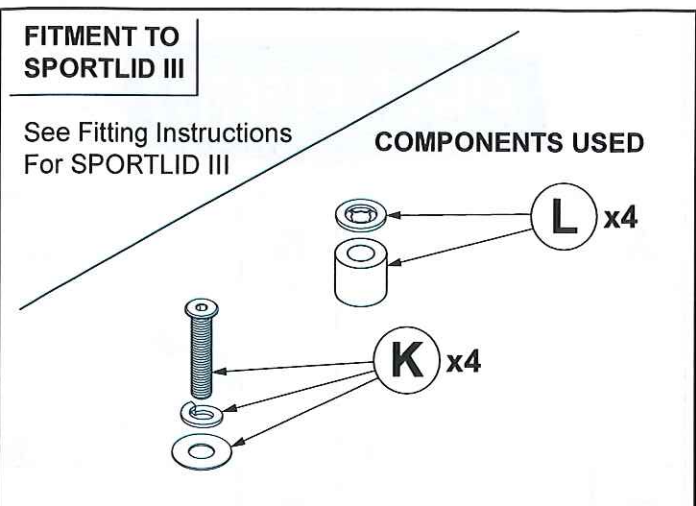
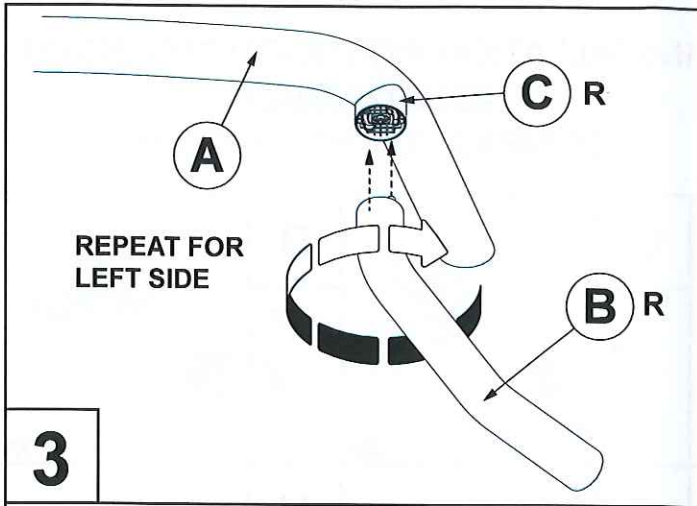
A  X1	B  R  L X1	C  R  L X1	D  R  L X1
E  R  L X1	F  X4	G  X4	H  X4
I  X2	J  X2	K  M10 Bolt & Washers X4	L  Steel Spacer  Nylon Washer X4
M  M8x20mm Bolt  Channel Nut X4	N  M8x50mm Bolt X4	O  M8x40mm Capscrew X2	P  M8 Spring Washer X14
Q  M8 Washer 1.5mm X14	R  M8 Spacer 7mm X4	S  M8x30mm Bolt X8	T  X4

- ◇ = EXISTING PART
- = NEW PART

If fitting SPORTBAR directly to vehicle along with PRO-FORM's Under Rail Liner ◇ Y

See step 9 for necessary liner cutout

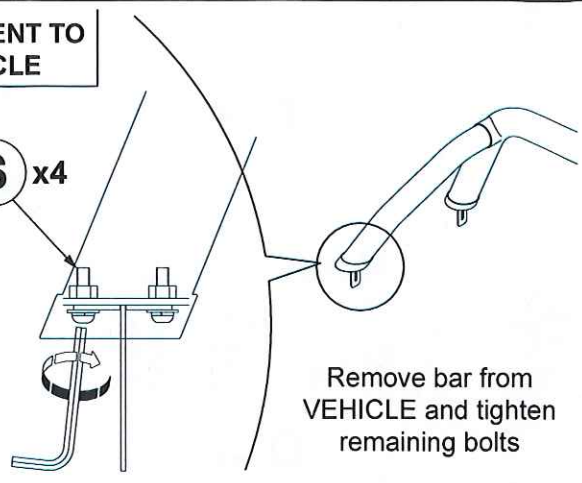




Fitting Kit Number	Manufacturer	Model Type	Year	Stockist	Cab Size	Product	Revision	Date	Page
K313	Toyota	Hilux	2015	Toyota	DC	Sportbar MRK2	2	21/9/2015	2 of 4

FITMENT TO VEHICLE

S x4

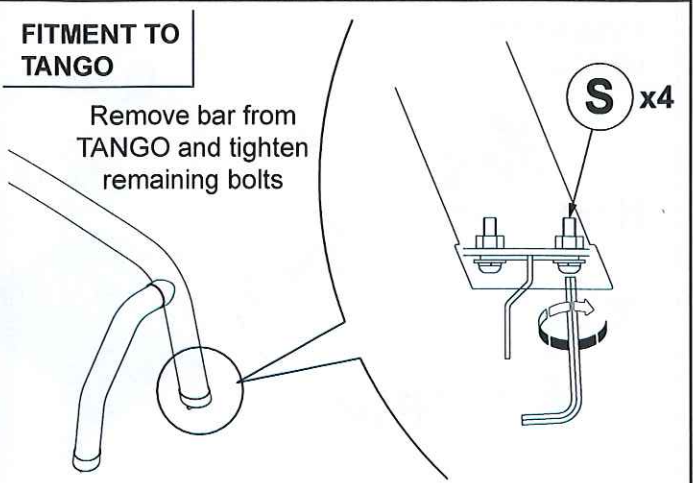


8

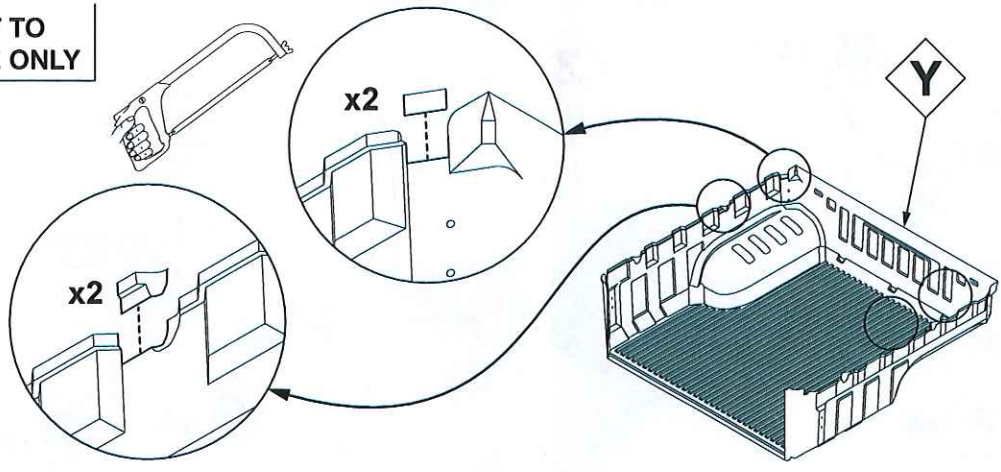
FITMENT TO TANGO

Remove bar from TANGO and tighten remaining bolts

S x4



FITMENT TO VEHICLE ONLY



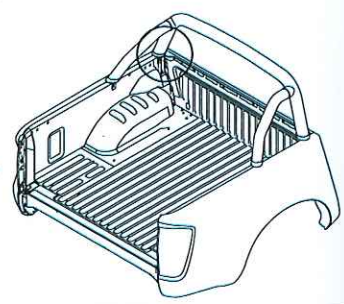
9

FITMENT TO VEHICLE

F

58mm

Distance from vehicle front rail



10

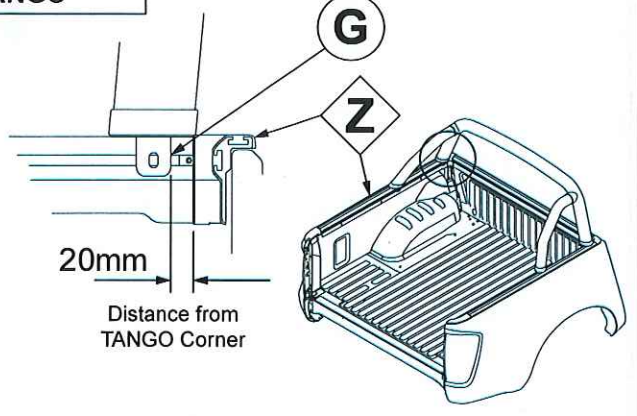
FITMENT TO TANGO

G

Z

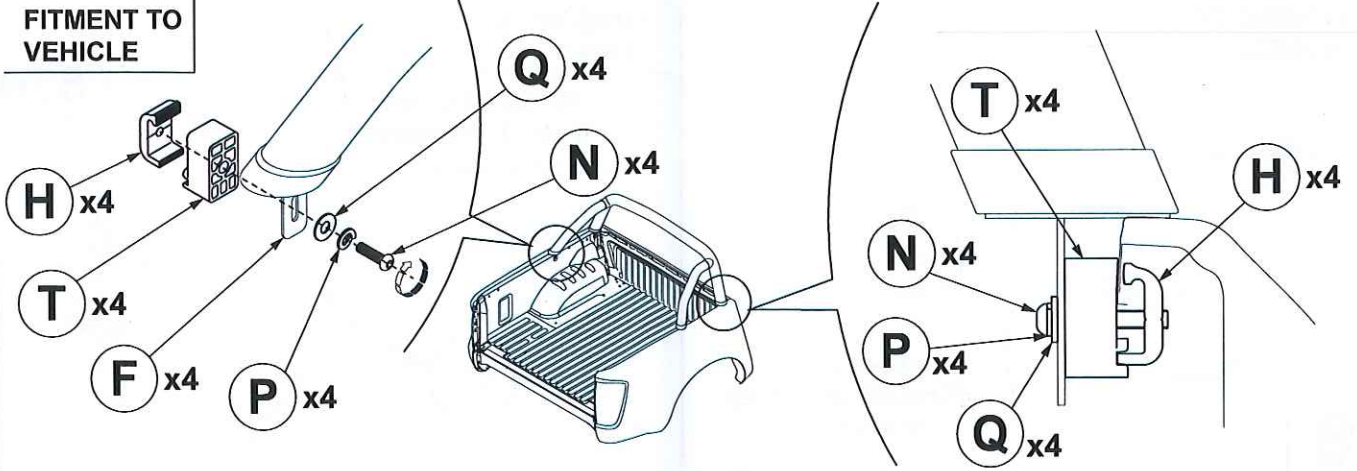
20mm

Distance from TANGO Corner

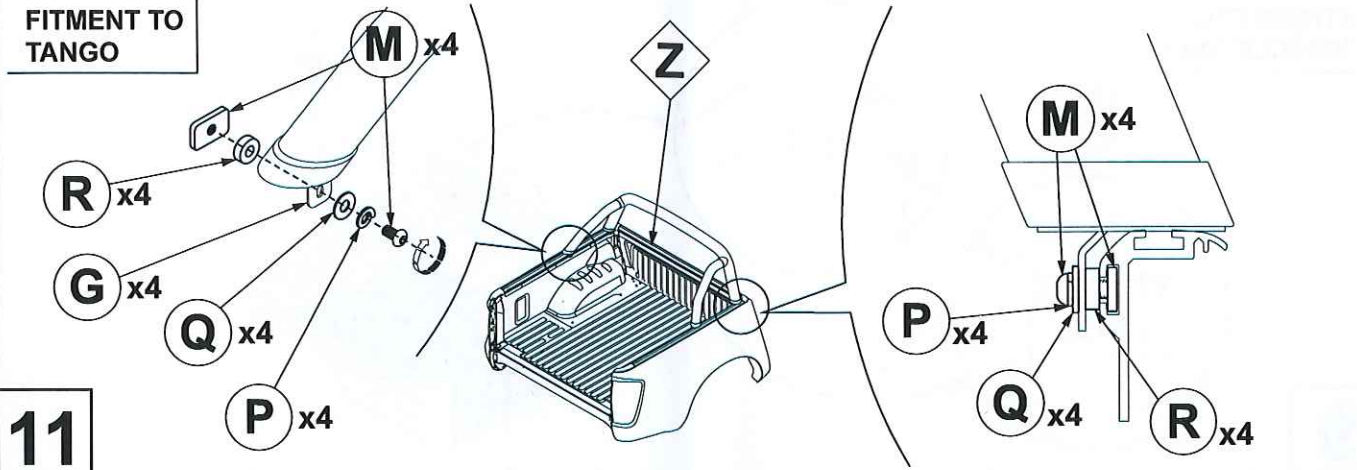


Fitting Kit Number	Manufacturer	Model Type	Year	Stockist	Cab Size	Product	Revision	Date	Page
K313	Toyota	Hilux	2015	Toyota	DC	Sportbar MRK2	2	21/9/2015	3 of 4

FITMENT TO VEHICLE



FITMENT TO TANGO



11

Fitting Kit Number	Manufacturer	Model Type	Year	Stockist	Cab Size	Product	Revision	Date	Page
K313	Toyota	Hilux	2015	Toyota	DC	Sportbar MRK2	2	21/9/2015	4 of 4