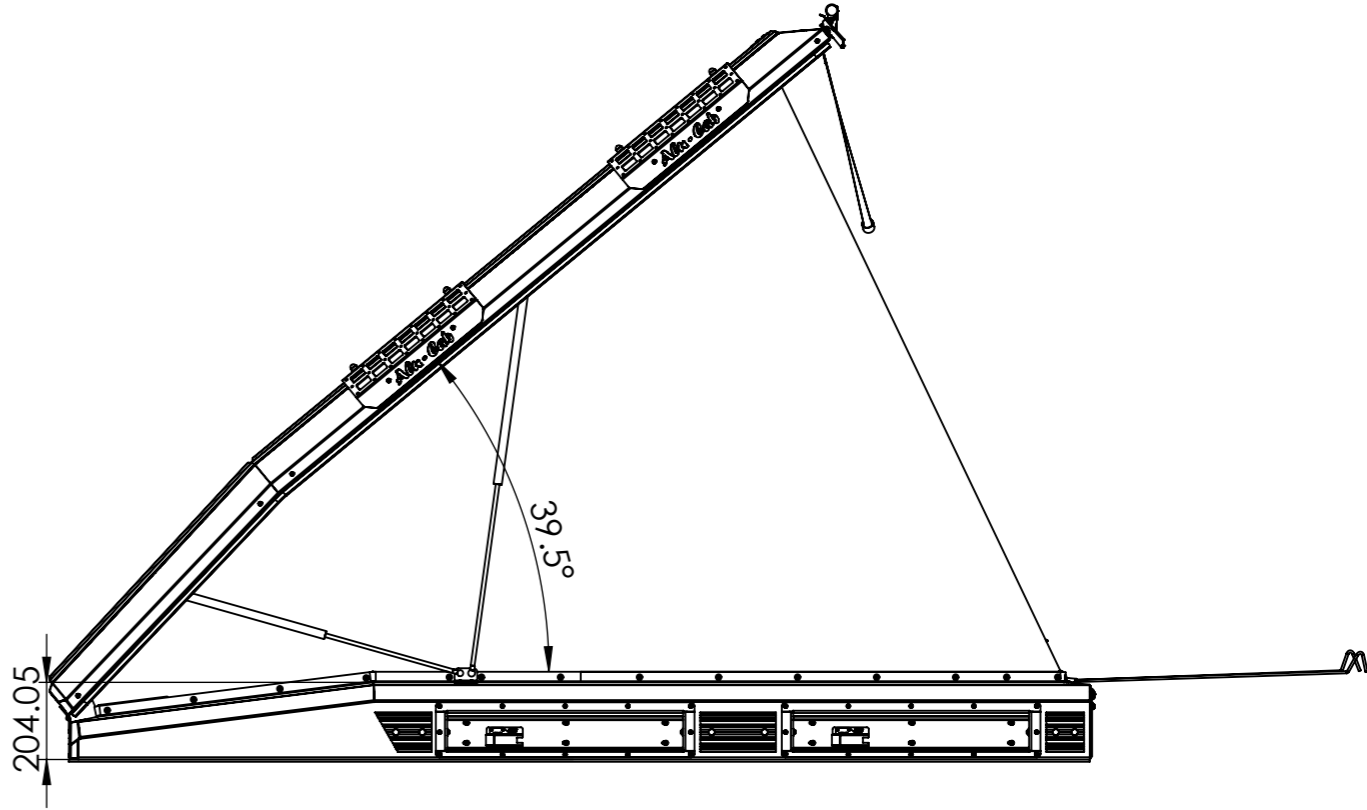
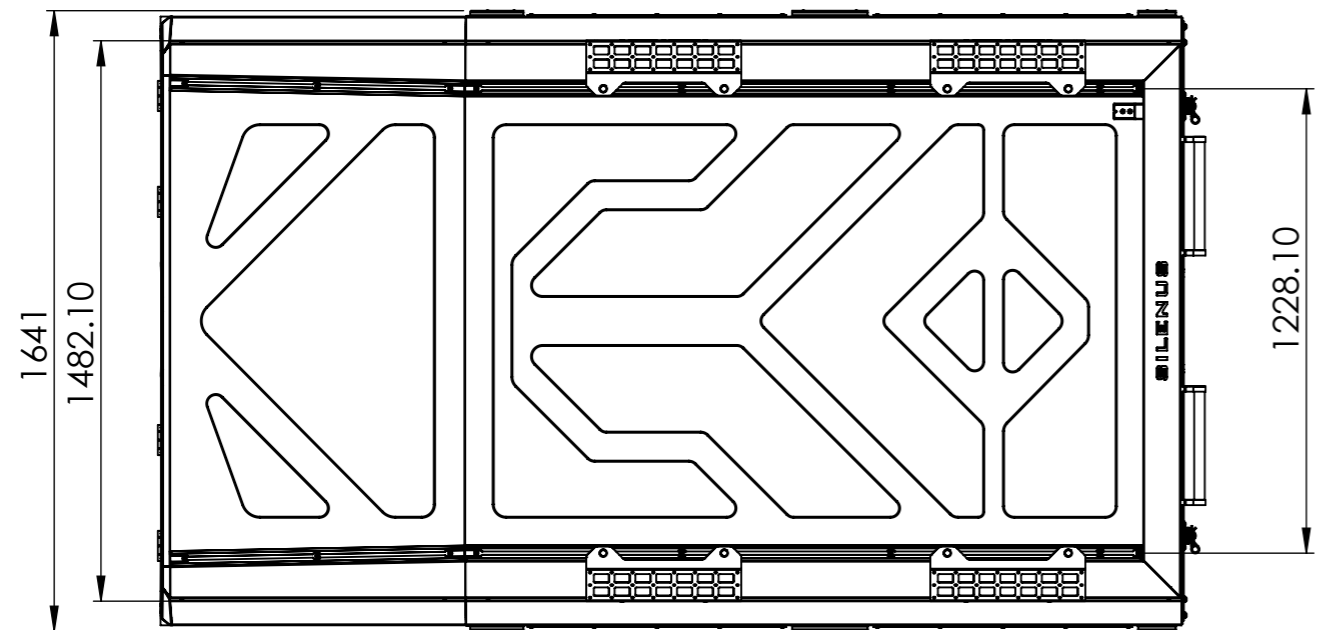
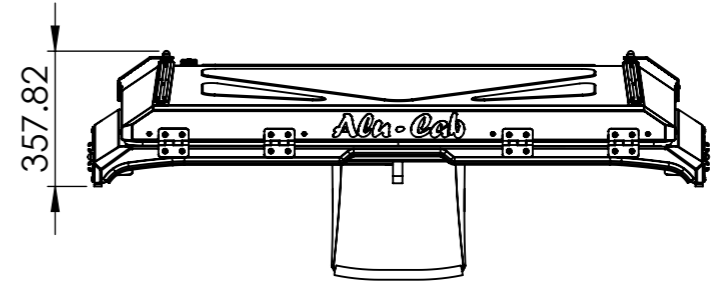
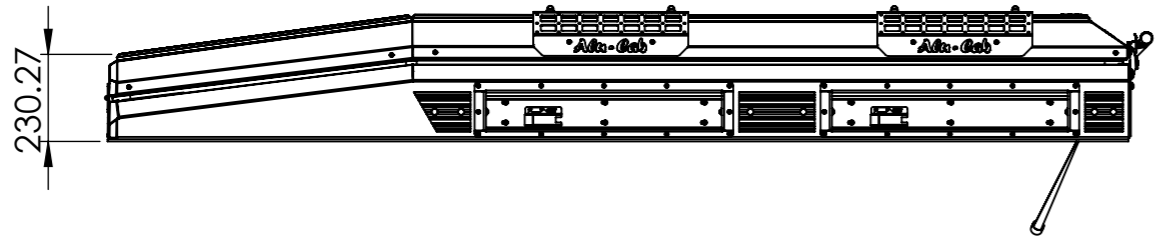


GENERAL ARRANGEMENT SILENUS ROOF CONVERSION FOR INEOS GRENADIER

ASSY INFO	MASS (kg):	414.7
	BONDED:	Y
	FASTENED:	Y
FINISH	WELDED:	Y
	TUMBLED:	
	BRUSHED:	
	POWDER:	Y
	SPRAY:	
	COLOUR:	SANDPAPER BLACK



TOLERANCES TO ASSUME
UNLESS INDICATED OTHERWISE

NOM DIMENSION	RANGE (mm)	TOLERANCE
0.50	- 3.00	± 0.10
3.00	- 6.00	± 0.15
6.00	- 30	± 0.20
30	- 120	± 0.30
120	- 400	± 0.50
400	- 1000	± 1.00
1000	- 1000<	± 2.00

DESCRIPTION:
SILENUS UNBOXED MAIN ASSEMBLY

PROJECT:

DRAWN BY: Isma-eel Ariefdien
DATE: 2024-09-25

THE INFORMATION CONTAINED WITHIN THIS DOCUMENT IS THE INTELLECTUAL PROPERTY OF ALU-CAB (PTY) LTD

SHEET:
A3

SCALE:
1:20

SHEET
1 of 1

DRAWING NO.
RC-IG-GA



REV
02