

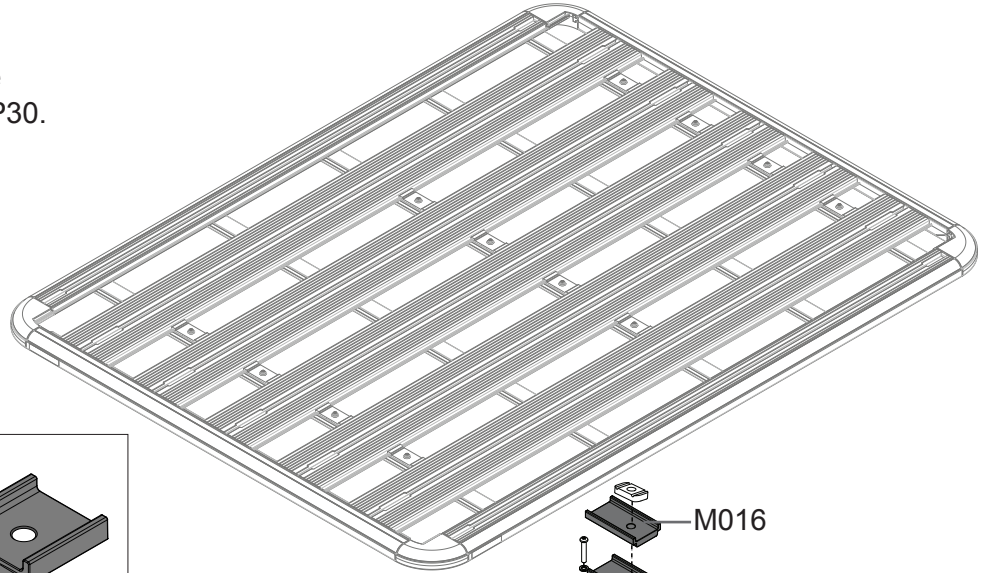


RHINO-RACK

PLHS1 - Fit Kit for RJKB1 to suit Pioneer Tray

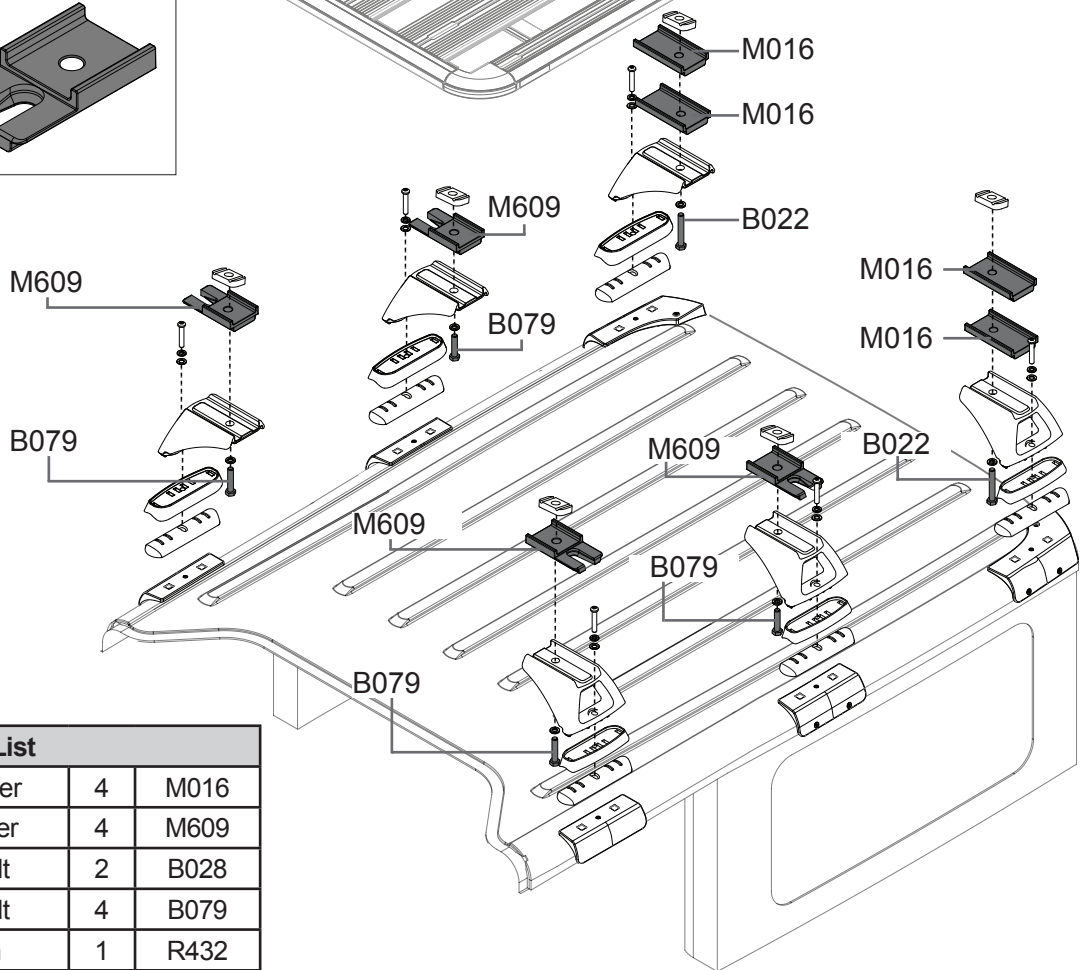
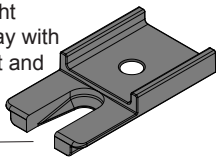
Important: Please read these instructions carefully prior to installation. Please refer to your fitting instruction to ensure that the roof racks are installed in the correct locations. Check the contents of kit before commencing fitment and report any discrepancies. Place these instructions in the vehicle's glove box after installation is complete.

Note: Channel nuts are included in leg kit RLCP30.



Note:

The end of the leg height spacer must be cut away with a hacksaw for the Front and middle locations.



Parts List			
1	Nylon 10mm Spacer	4	M016
2	Pioneer Leg Spacer	4	M609
3	M10 x 50 Hex Bolt	2	B028
4	M10 x 35 Hex Bolt	4	B079
5	Fitting Instruction	1	R432

Note for Dealers and Fitters:

It is your responsibility to ensure these fitting instructions are given to the end user or client.

Rhino-Rack
 3 Pike Street, Rydalmere,
 NSW 2116, Australia.
 (Ph) (02) 9638 4744
 (Fax) (02) 9638 4822

Document No: R432
 Prepared By: Kayle Everett
 Authorised By: Chris Murty

Issue No: 03
 Issue Date: 13/04/2015

These instructions remain the property of Rhino-Rack Australia Pty Ltd and may not be used or changed for any other purpose than intended.