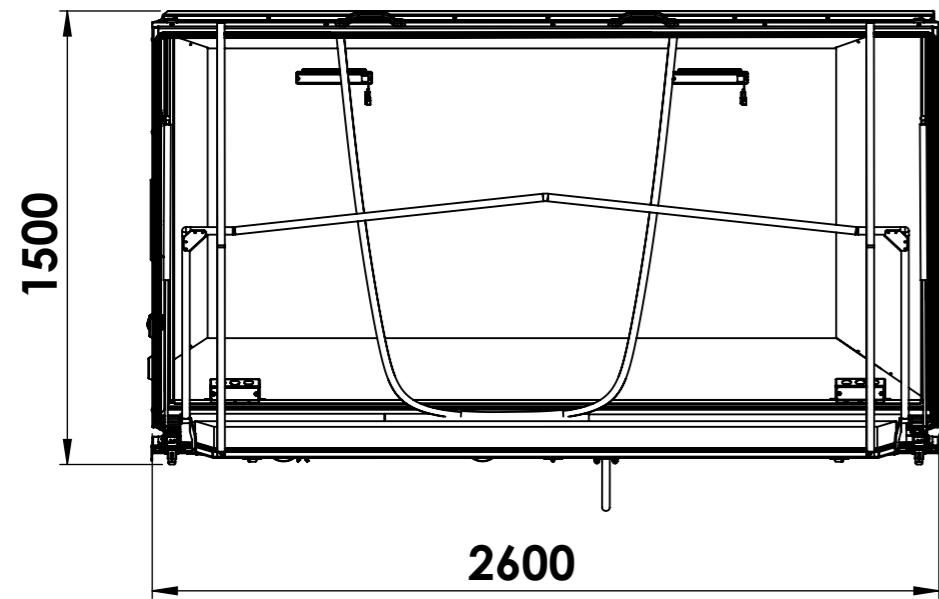


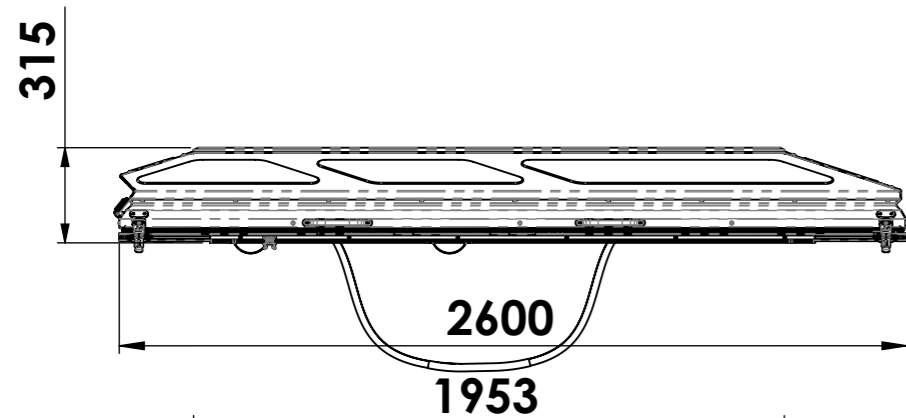
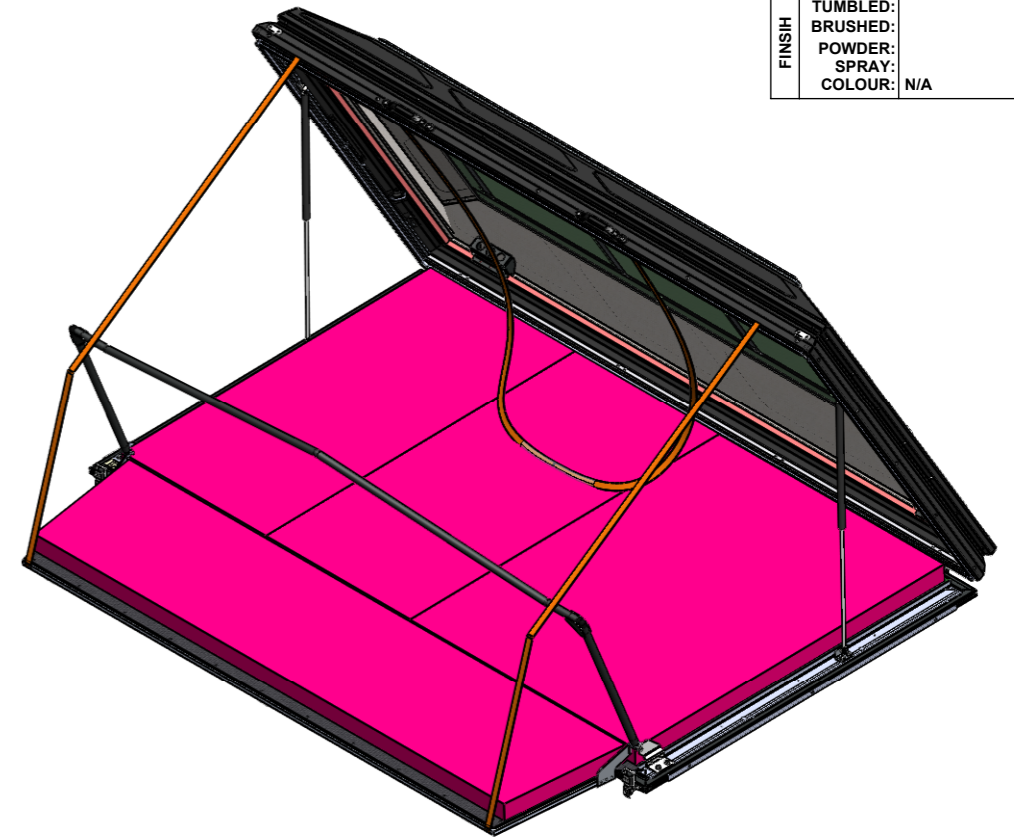
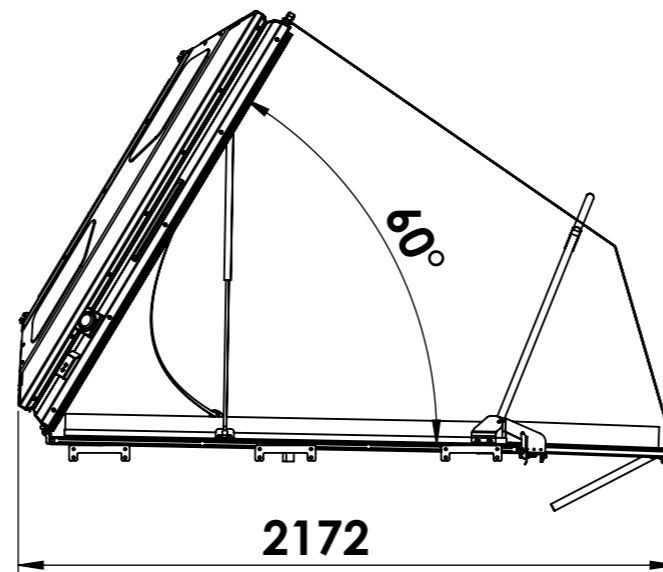
# GENERAL ARRANGEMENT

## MODCAP CAMPER FAMILY TENT

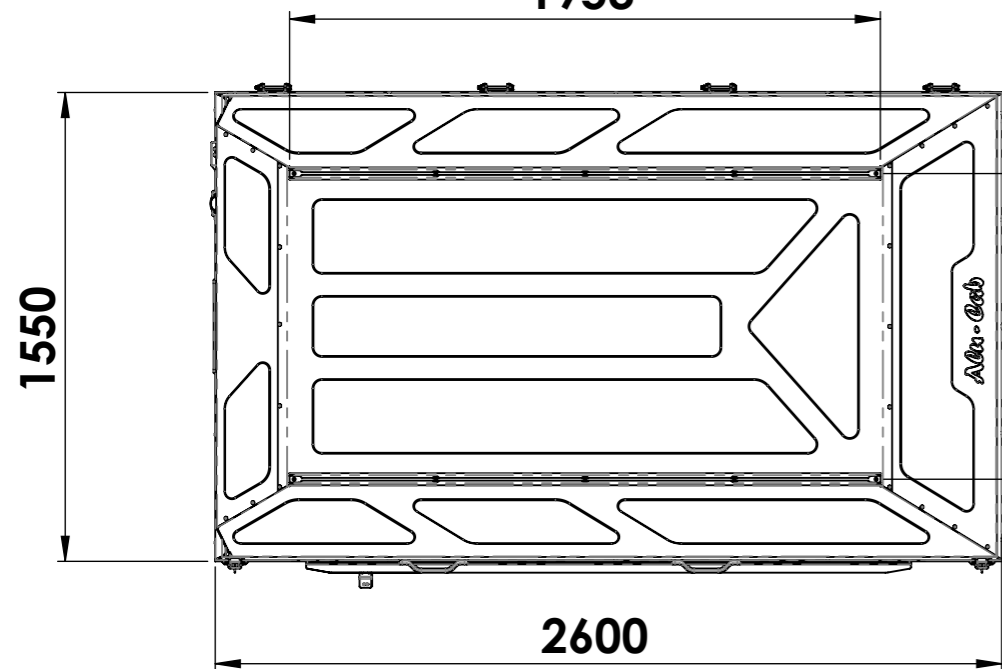
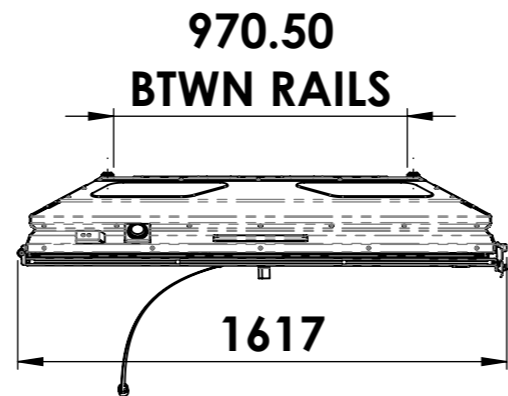
ASSY INFO	MASS (kg):	173988.2
	BONDED:	
	FASTENED:	Y
FINISH	WELDED:	
	TUMBLED:	
	BRUSHED:	
	POWDER:	
	SPRAY:	
	COLOUR:	N/A



**OPEN**



**CLOSED**



TOLERANCES TO ASSUME UNLESS INDICATED OTHERWISE

NOM DIMENSION	RANGE (mm)	TOLERANCE
0.50	- 3.00	± 0.10
3.00	- 6.00	± 0.15
6.00	- 30	± 0.20
30	- 120	± 0.30
120	- 400	± 0.50
400	- 1000	± 1.00
1000	- 1000<	± 2.00

DESCRIPTION:  
**CC2 BO FAMILY TENT**

PROJECT:

DRAWN BY: Isma-eel Ariefdien  
DATE: 2024-08-01

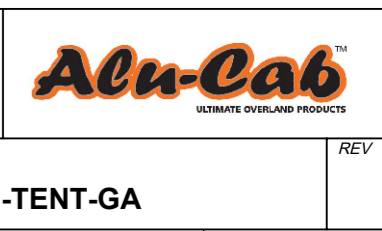
THE INFORMATION CONTAINED WITHIN THIS DOCUMENT IS THE INTELLECTUAL PROPERTY OF ALU-CAB (PTY) LTD

SHEET:  
A3

SCALE:  
1:25

SHEET  
1 of 1

DRAWING NO.  
**CC2-BO-FAM-TENT-GA**



REV