



OVERZONE SERIES INSTRUCTIONS

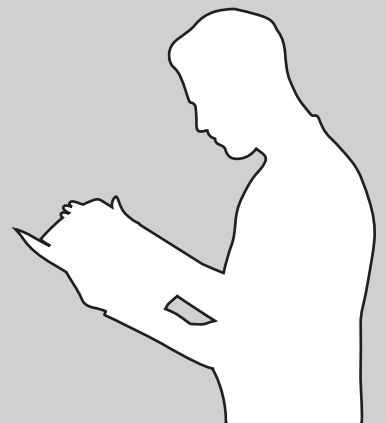
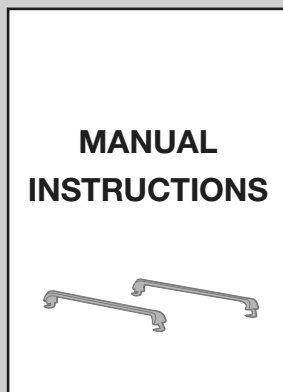
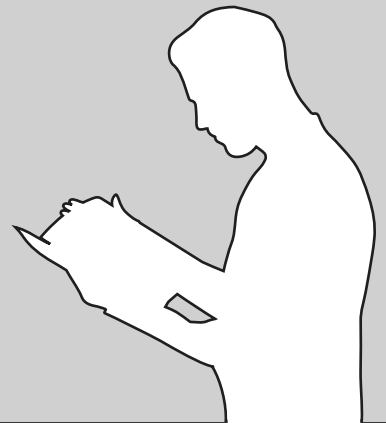
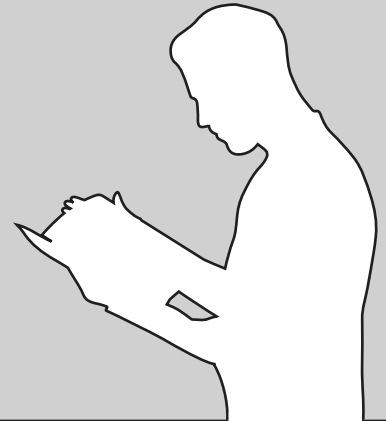
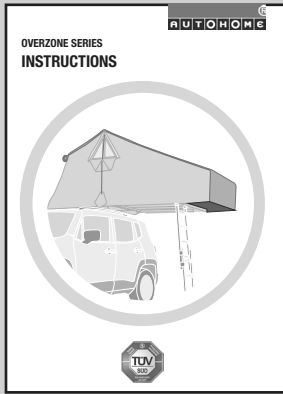


WARNINGS

Avvertenze • Avertissement • Warnungen



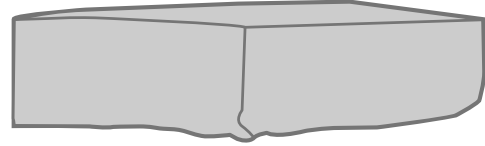
MODELS Modelle Modèles Modelli	TENT WEIGHT Zeltgewicht Poids de la tente Peso della tenda	MAXIMUM OCCUPANTS WEIGHT Maximales Bewohnergewicht Poids Maximum des occupants Peso massimo degli occupanti	MEASURES WHEN CLOSE Abmessungen bei geschlossenem Zelt Dimensions (tente fermée) Misure chiusa	MEASURES WHEN OPEN Abmessungen bei offenem Zelt Dimensions (tente ouverte) Misure aperta
Overzone Small Overzone Medium	ca. 48 kg ca. 57 kg	 ca. 180 kg  ca. 230 kg	130x110x35 cm 160x110x35 cm	130x220+70 (appendix) x125cm 160x220+70 (appendix) x125 cm



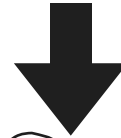
Kg P1



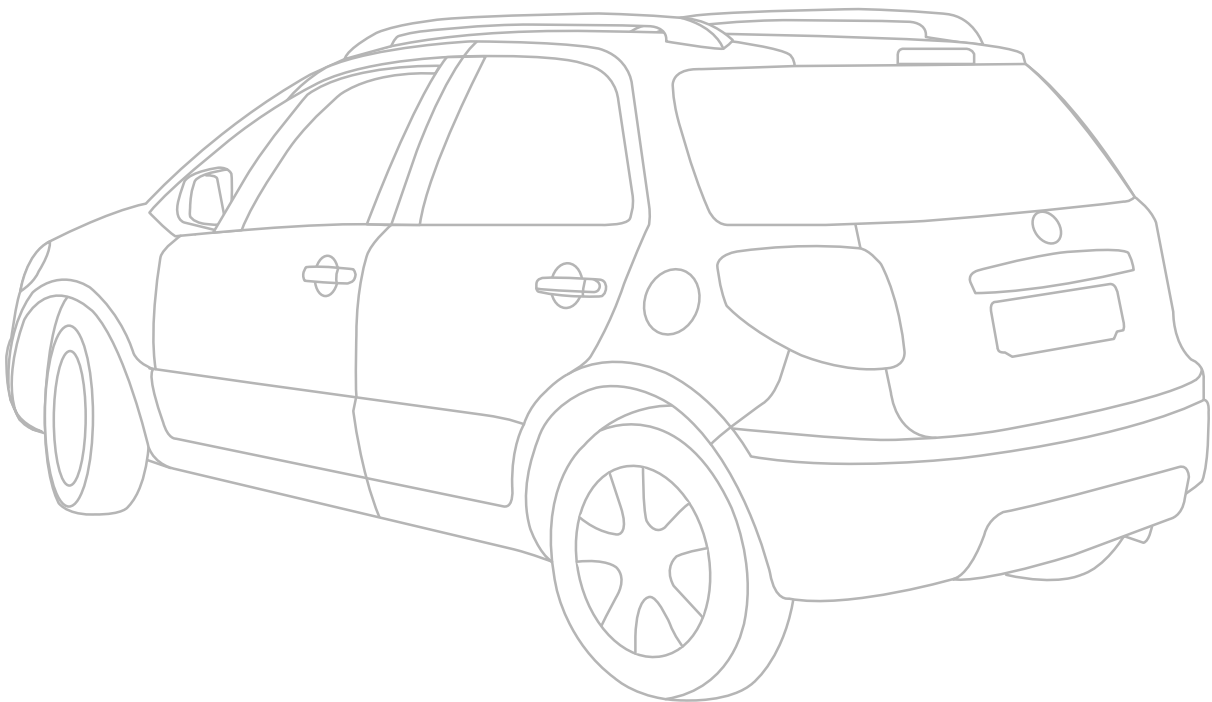
Kg P2

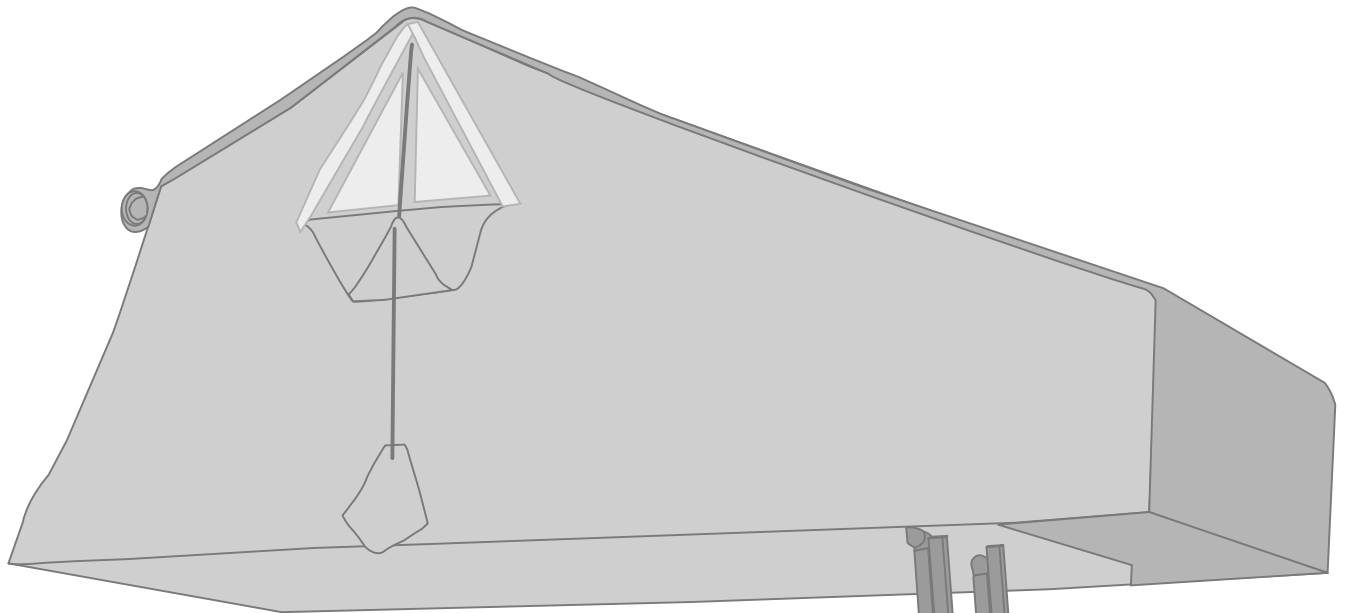


$$(P1 + P2) \leq \text{Kg } P_{MAX}$$



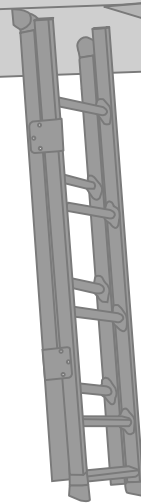
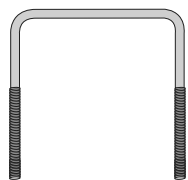
Kg P_{MAX}





UP

UNDER



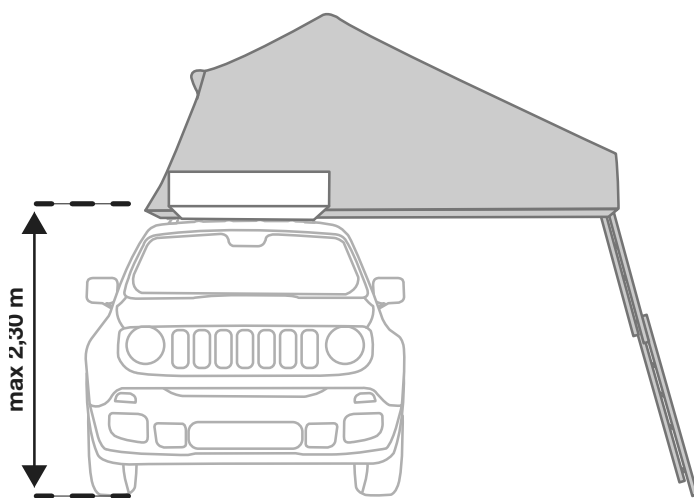
X4

X4

X4

X8

X1



X10



X4

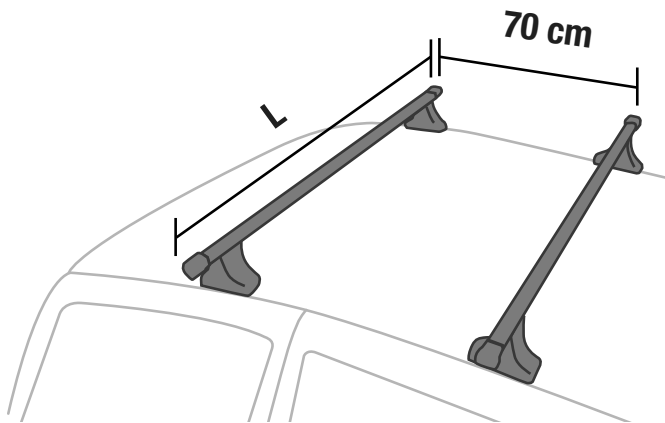
POSITIONING

Posizionamento • Placement • Platzierung

1

Minimum length

Lunghezza minima • Longueur minimale • Mindestlänge



ROOF TENT

L

Overzone **Small**

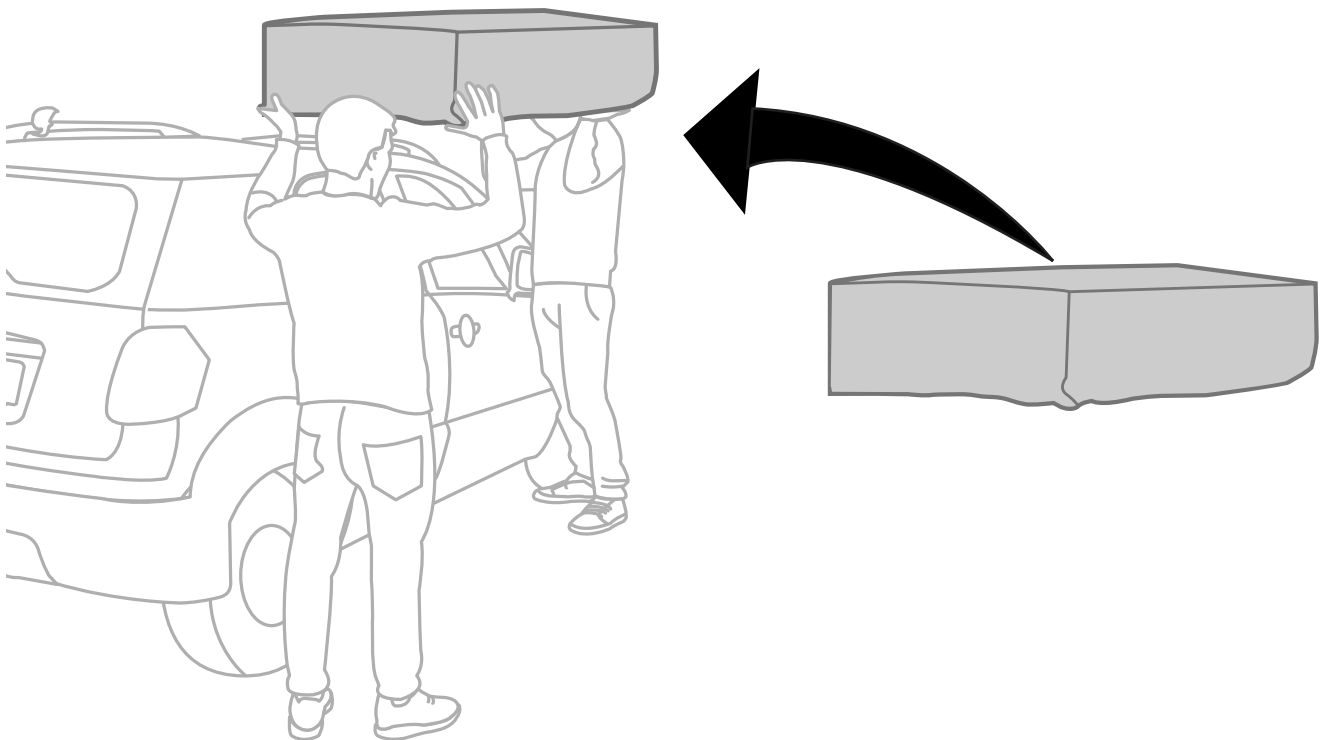
124 cm

Overzone **Medium**

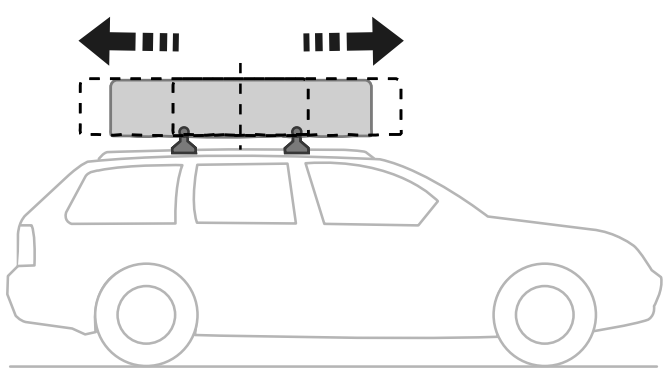
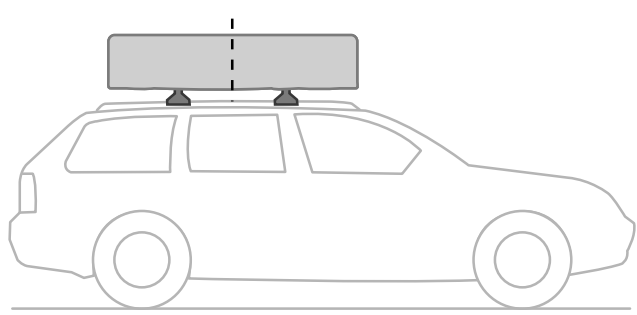
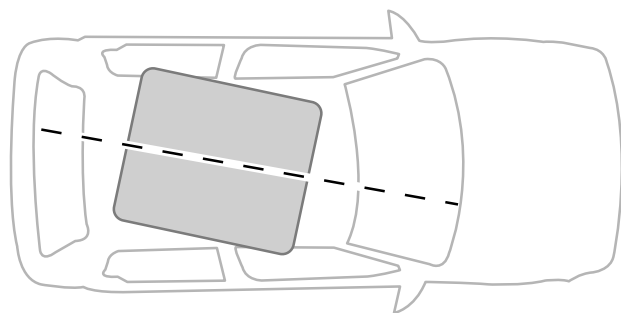
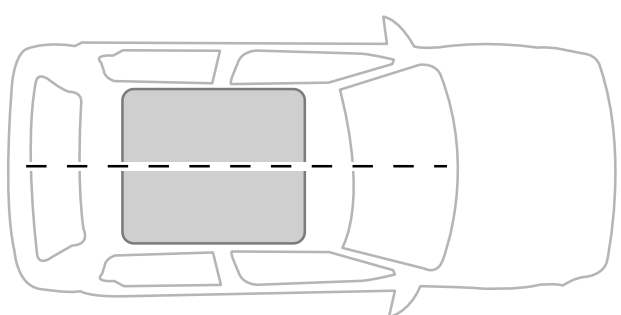
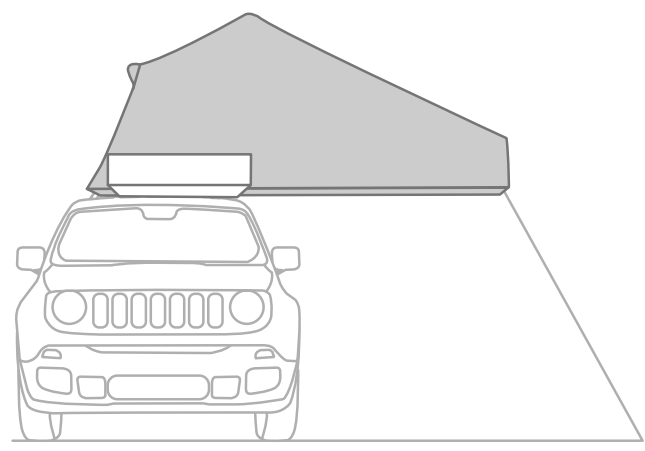
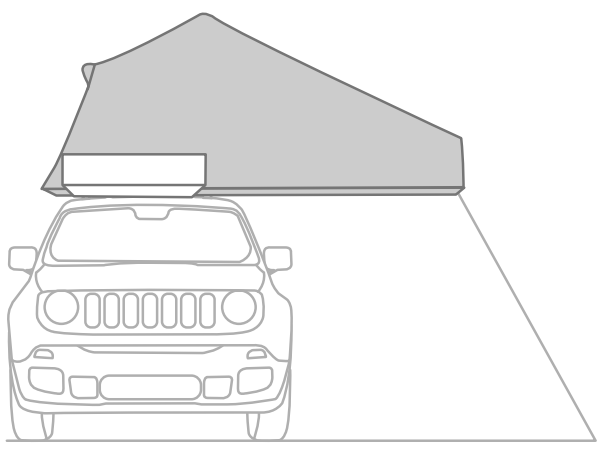
142 cm

Overzone **Large**

160 cm



2

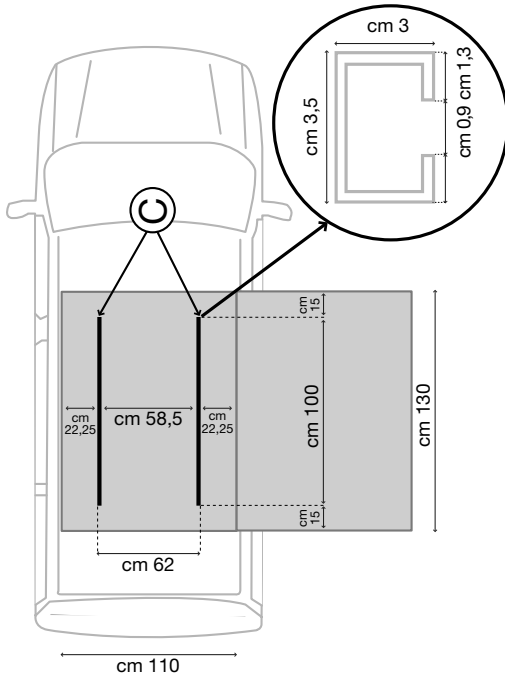


FIXING

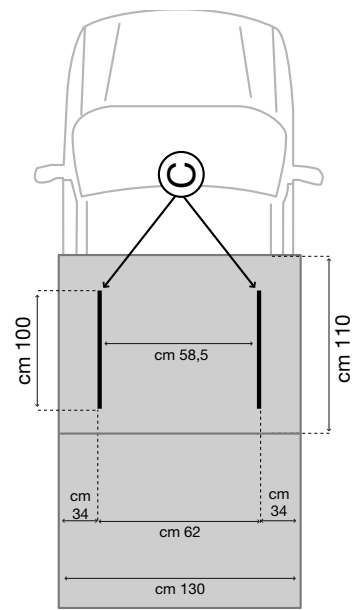
Fissaggio • Fixation • Befestigung

3

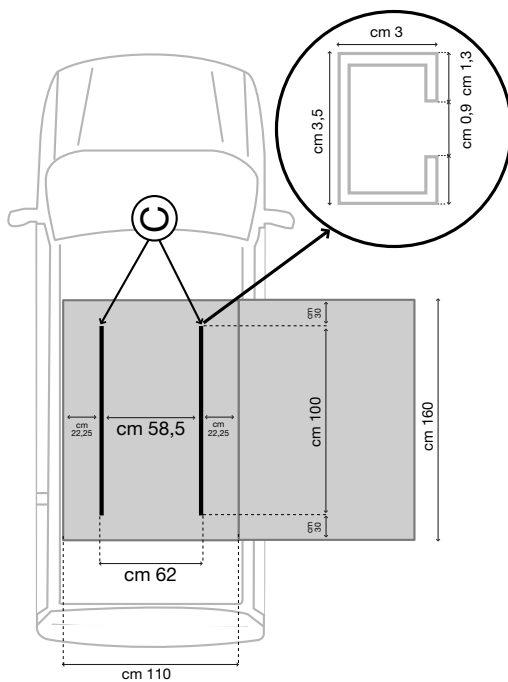
STANDARD FIXING OVERLAND SMALL



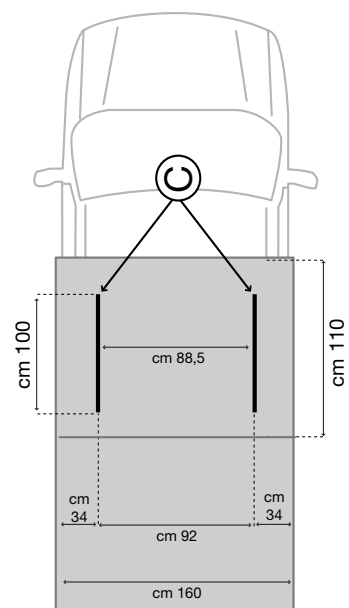
EXPLORER FIXING OVERLAND SMALL



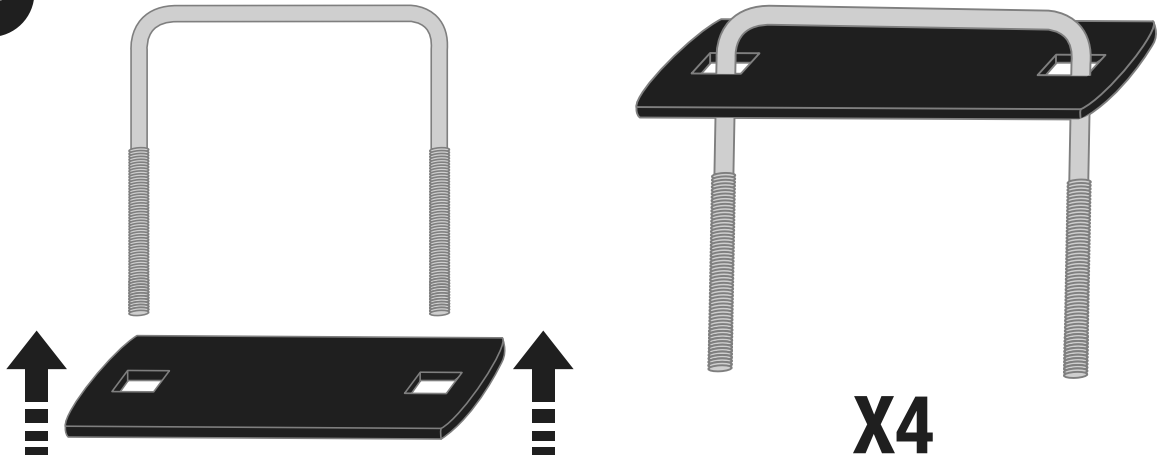
STANDARD FIXING OVERLAND MEDIUM



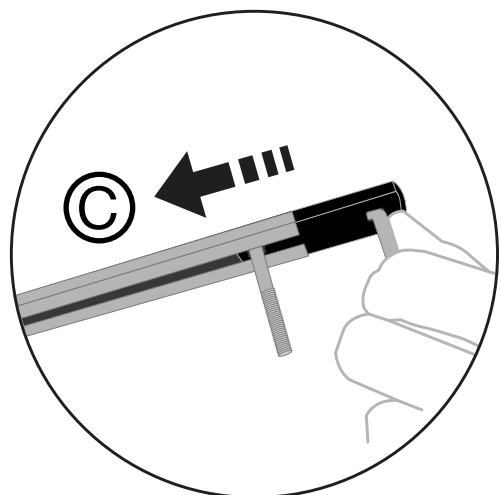
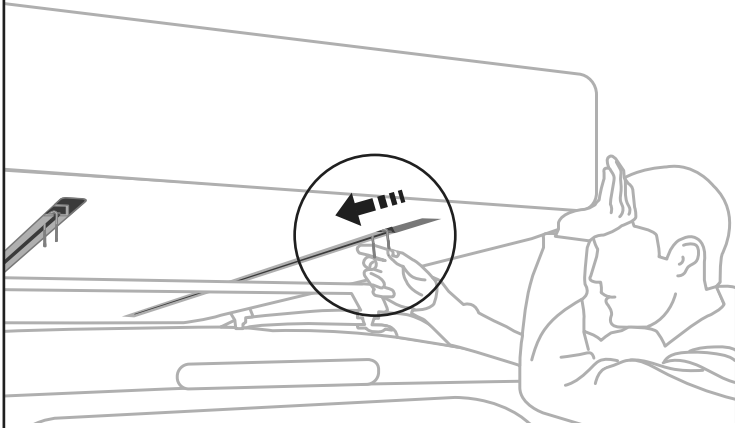
EXPLORER FIXING OVERLAND MEDIUM



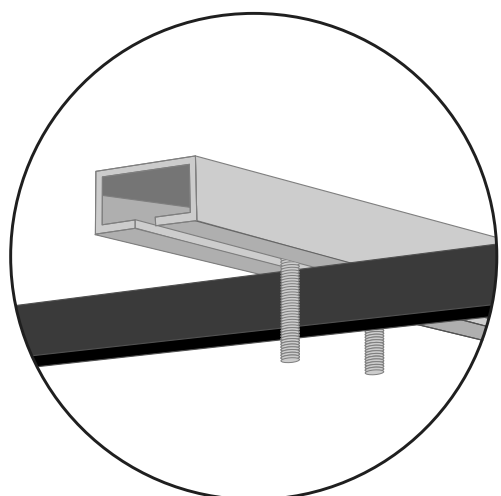
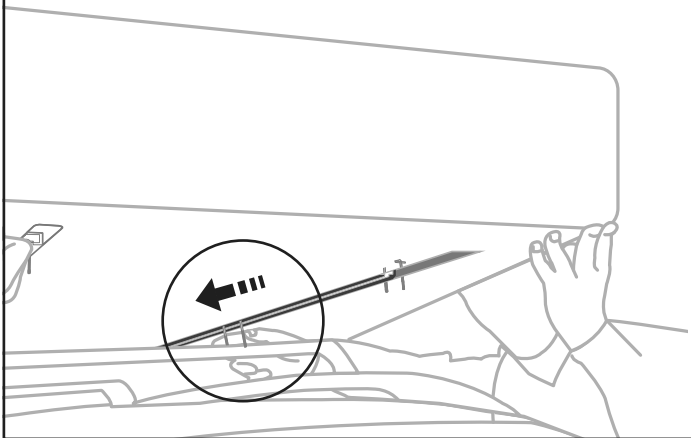
4



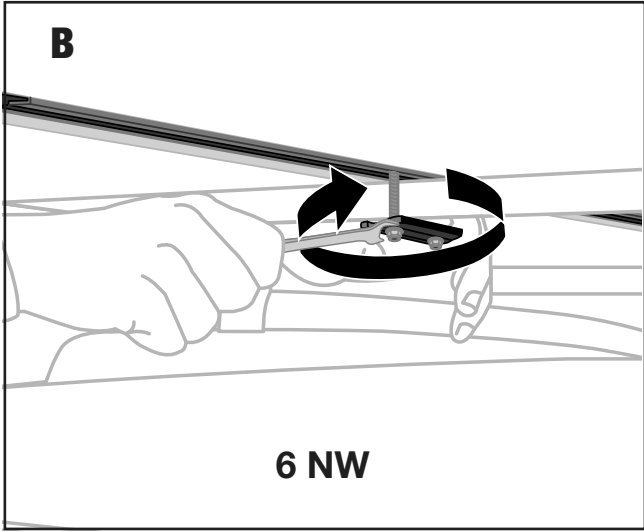
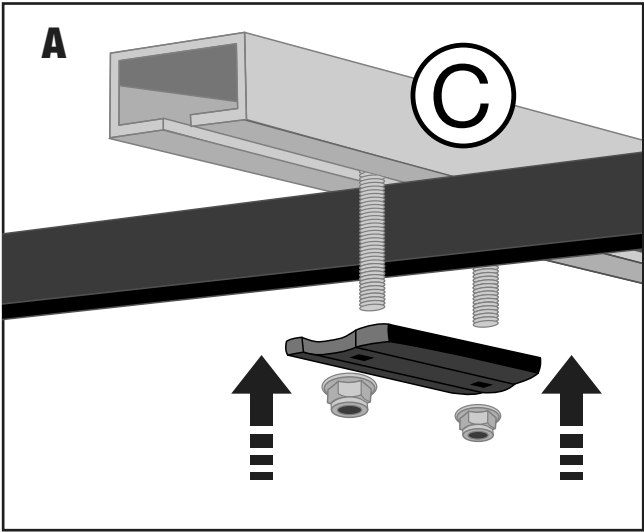
5



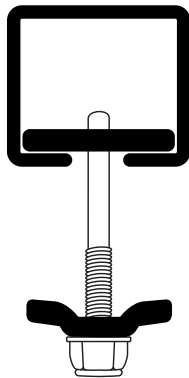
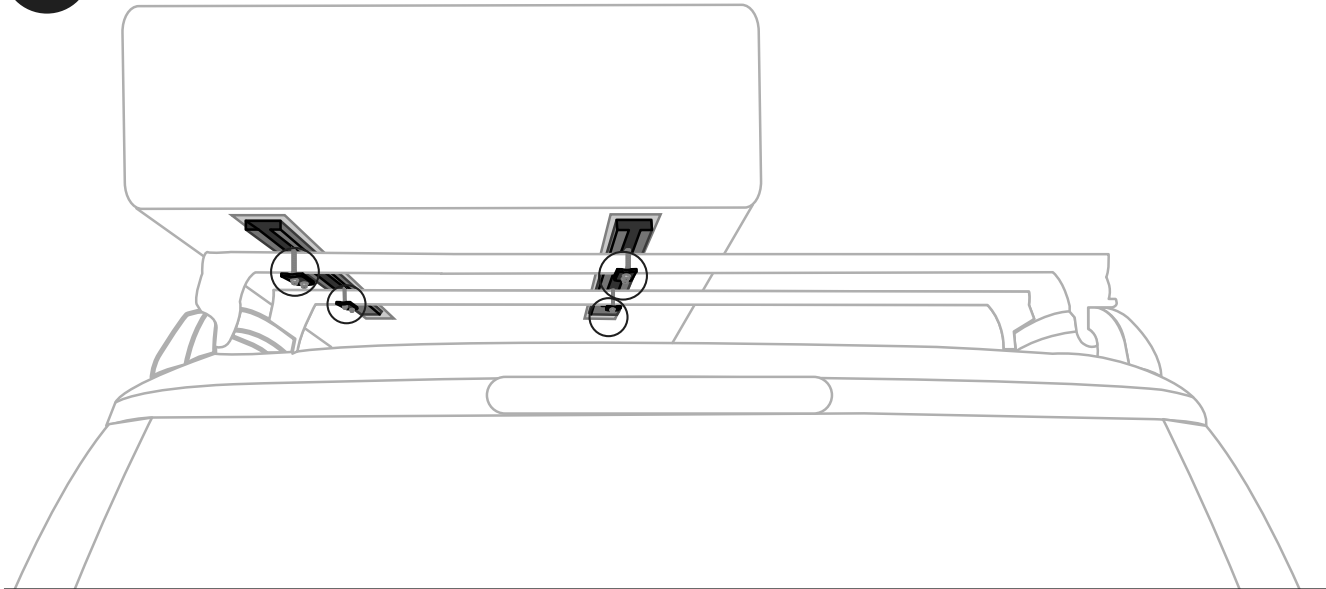
6



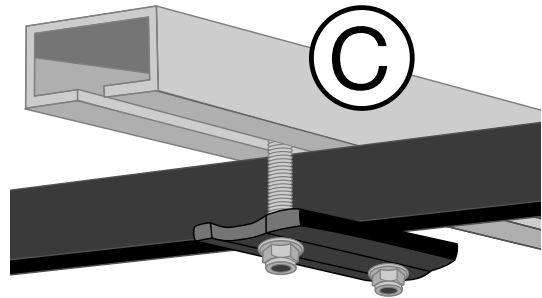
7



8



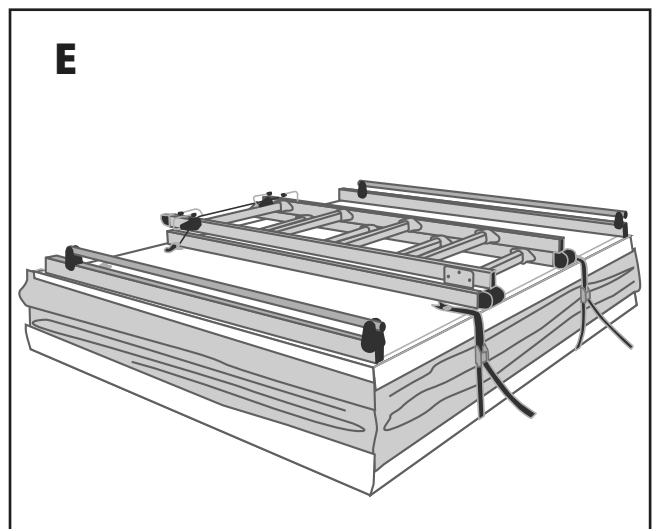
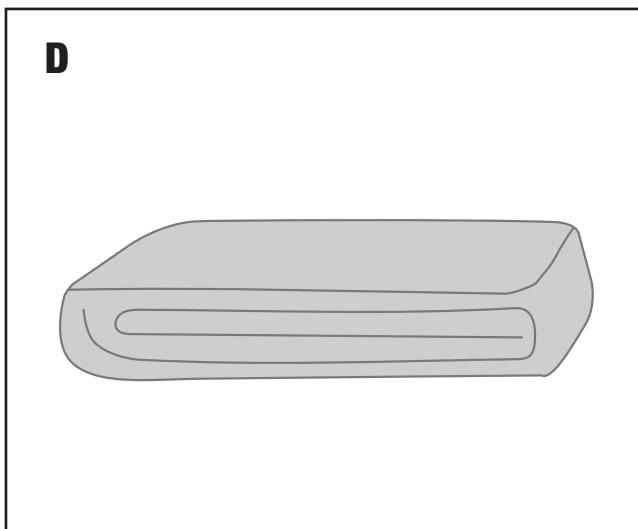
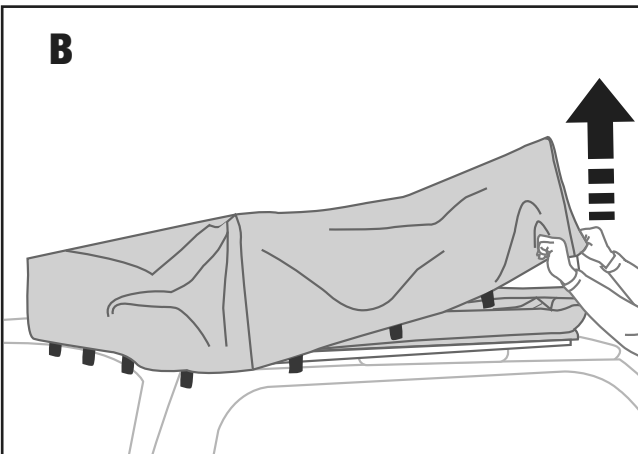
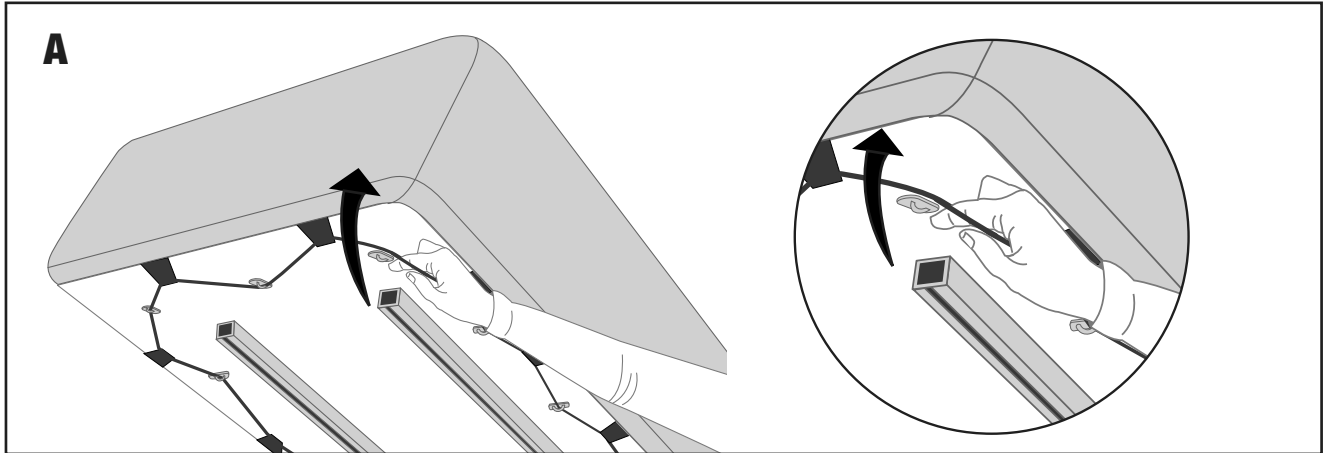
X4



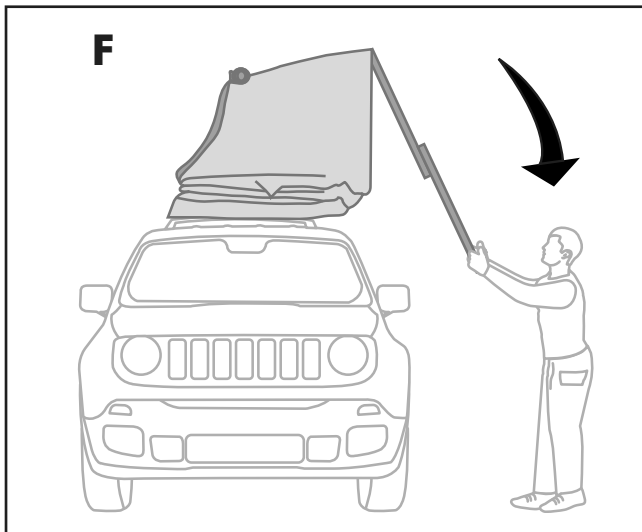
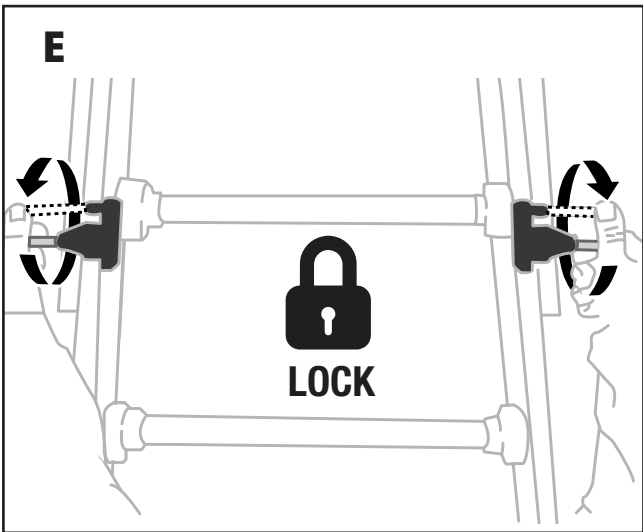
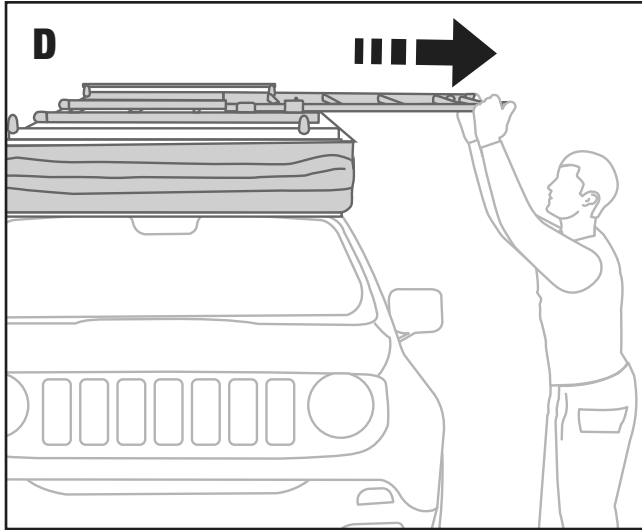
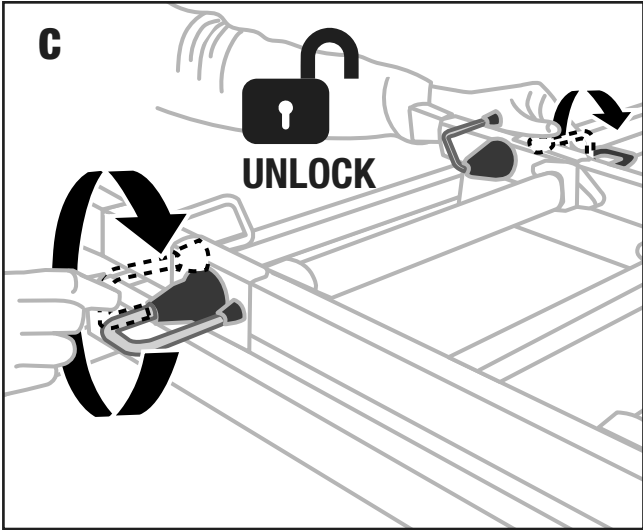
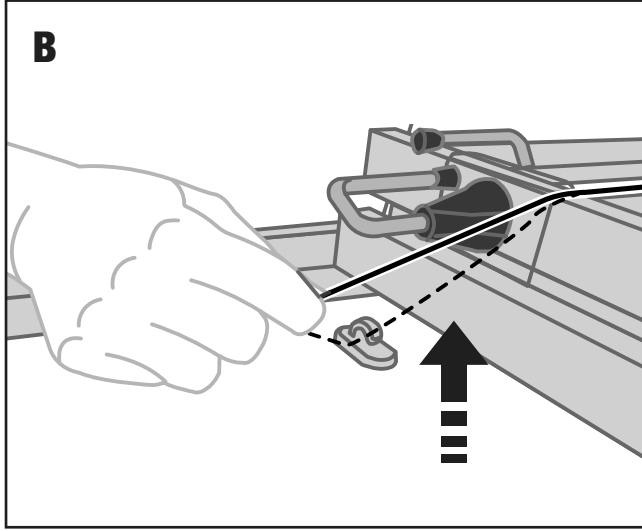
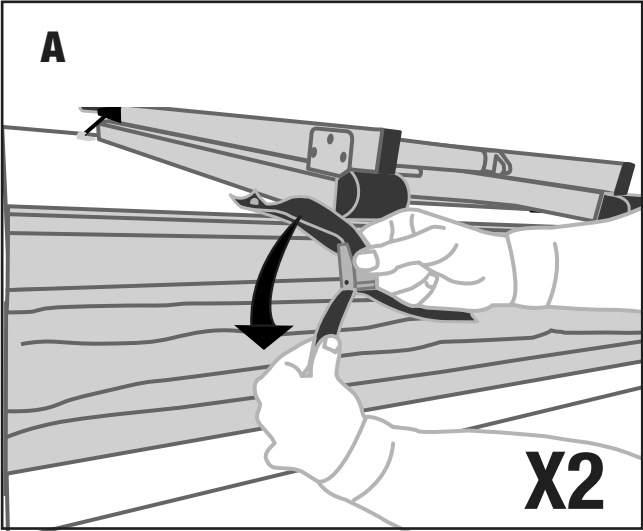
OPENING

Apertura • Overture • Öffnung

9

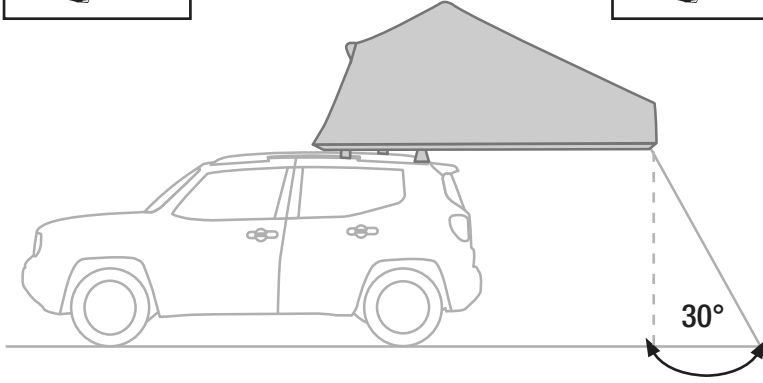


10

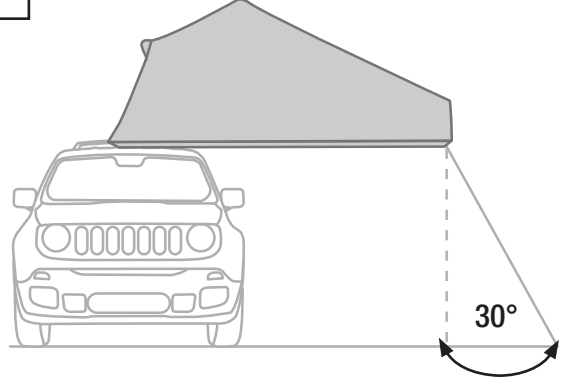


11

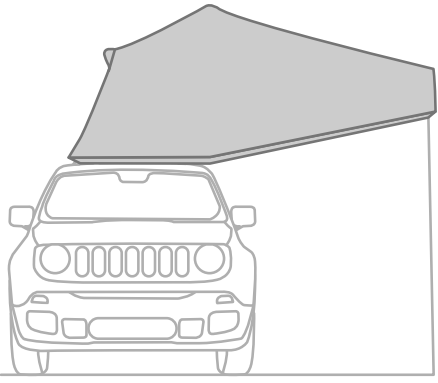
ok ✓



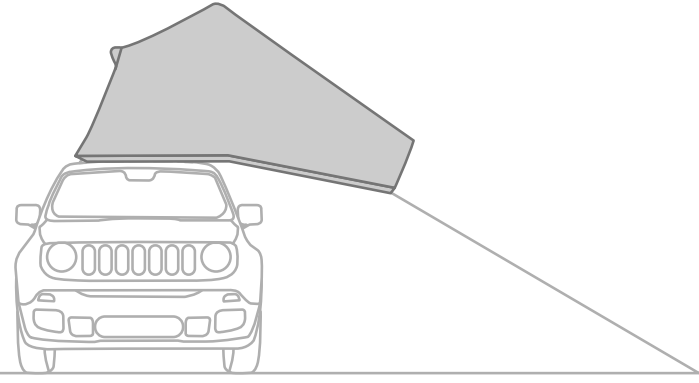
ok ✓



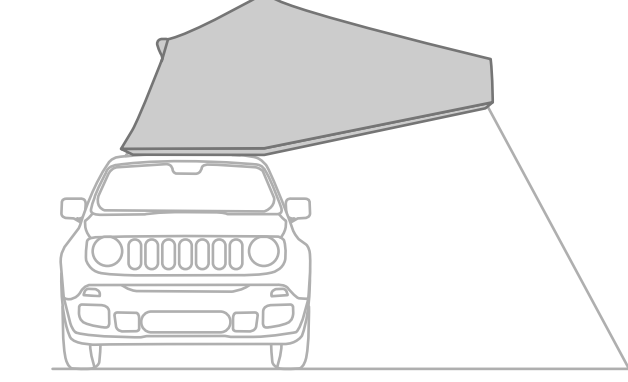
NOT ok ✗



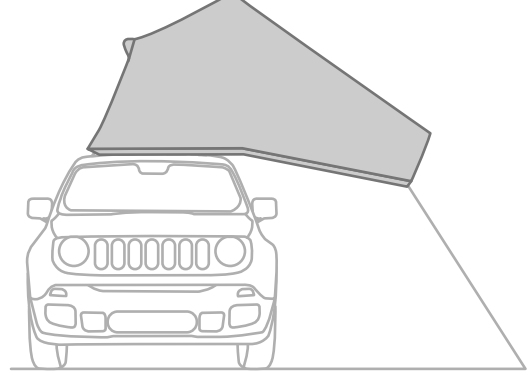
NOT ok ✗



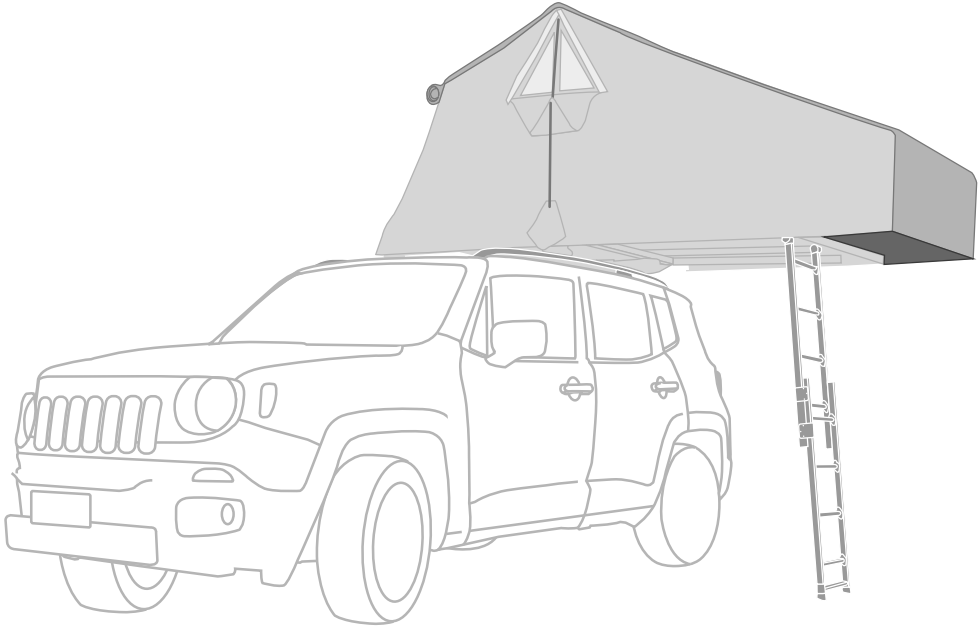
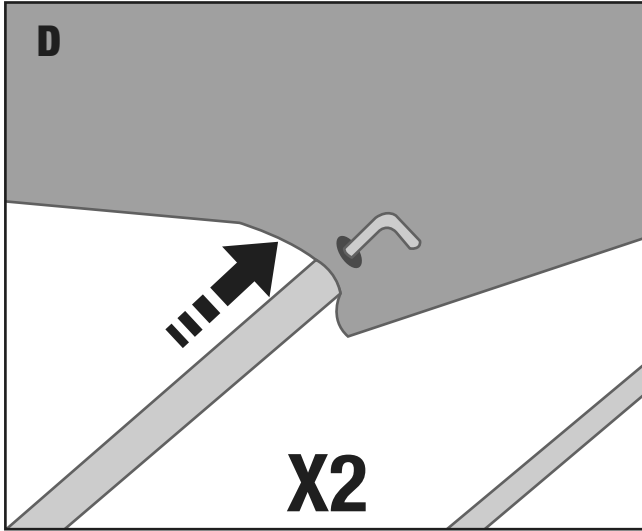
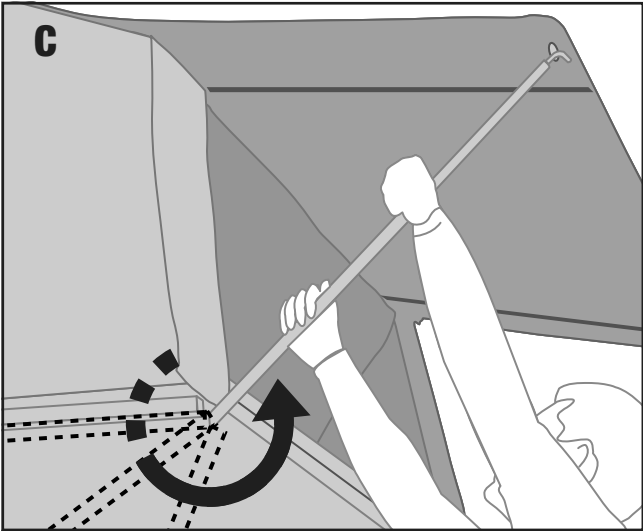
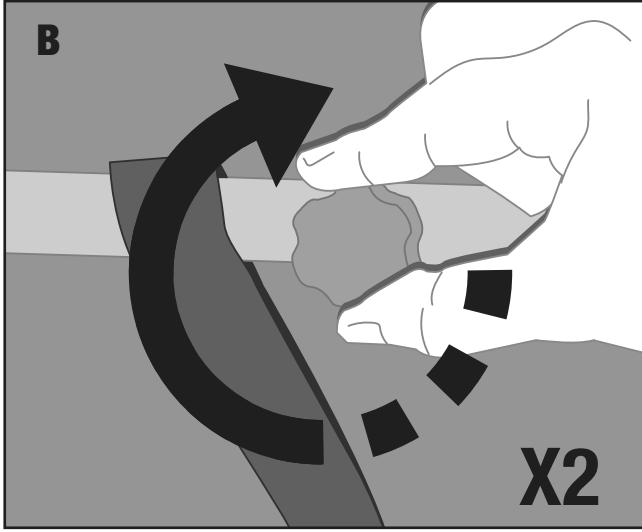
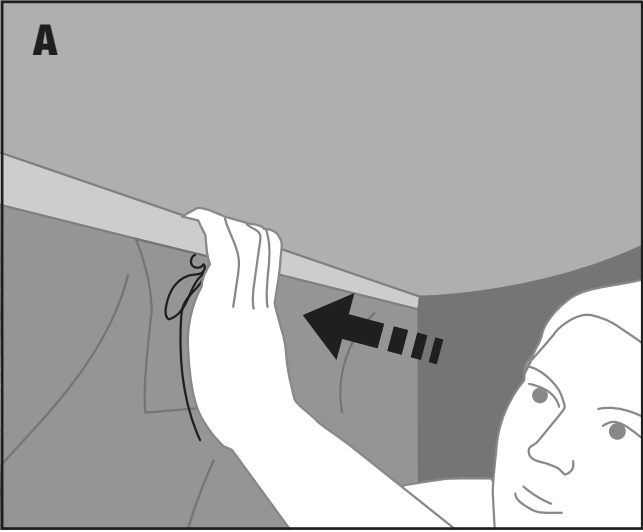
NOT ok ✗



NOT ok ✗



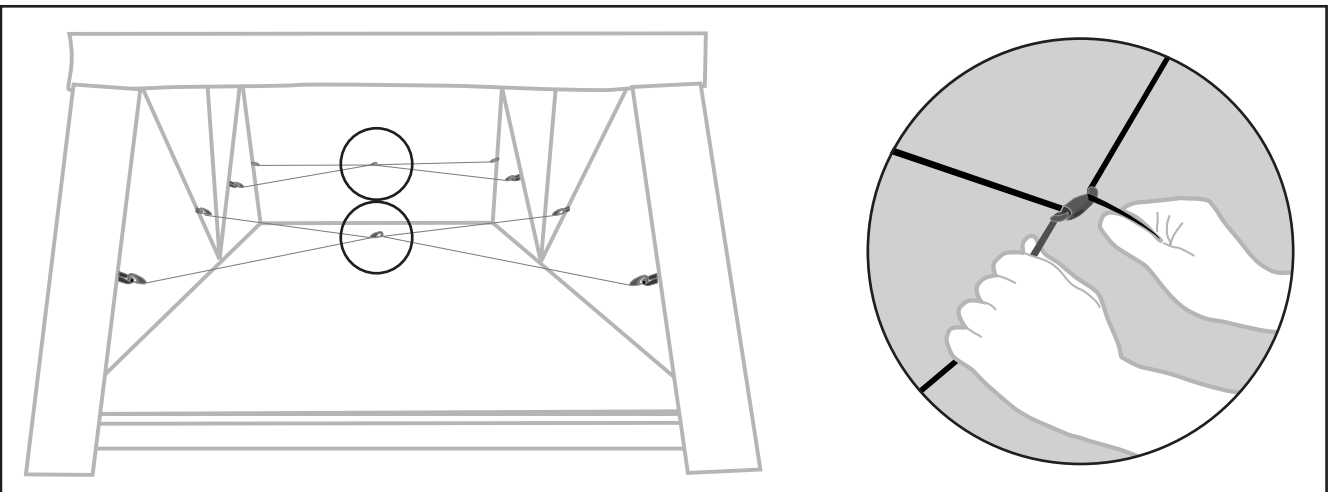
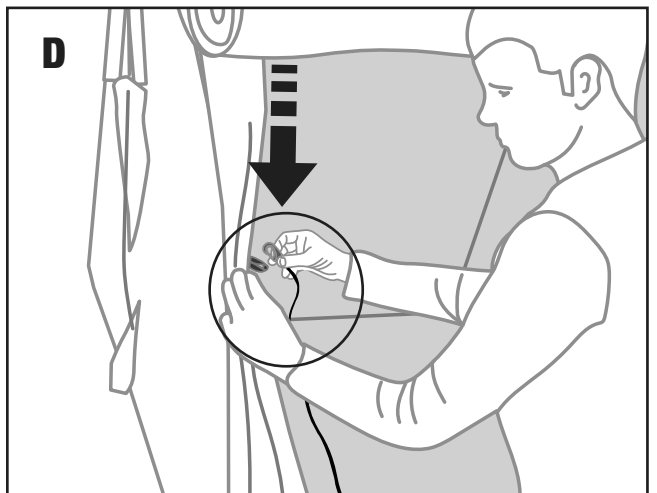
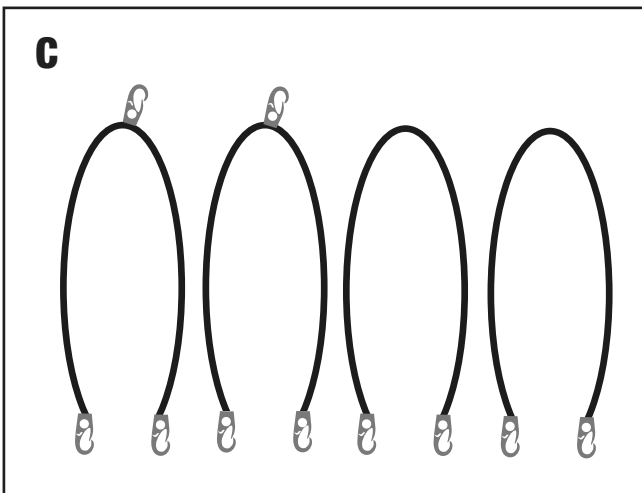
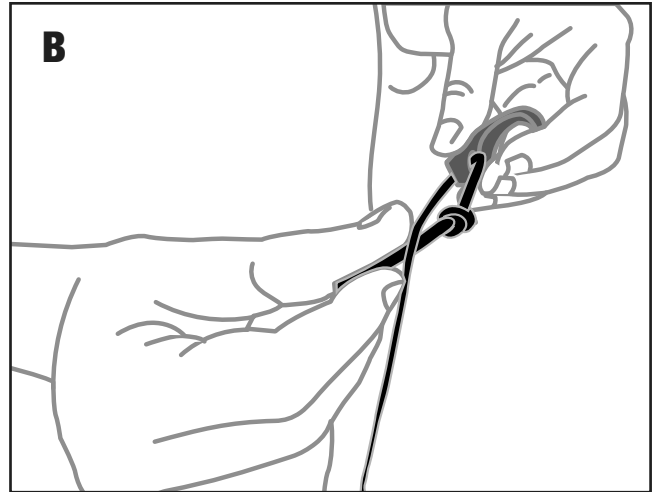
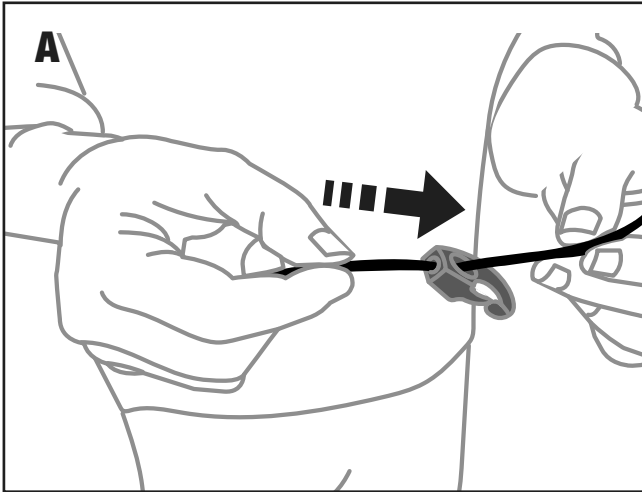
12



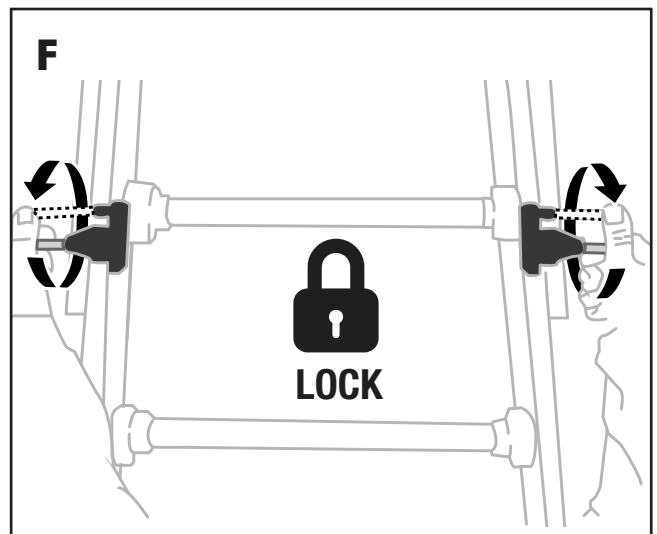
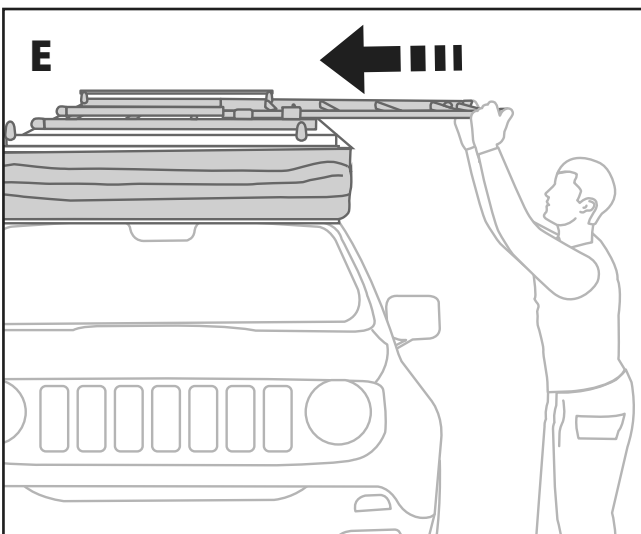
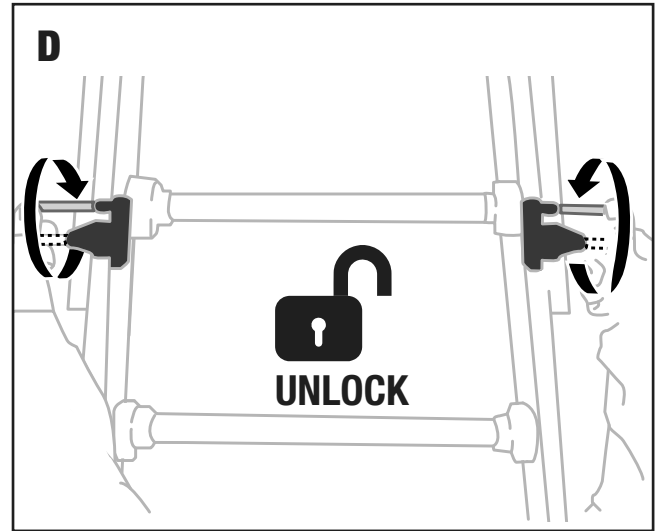
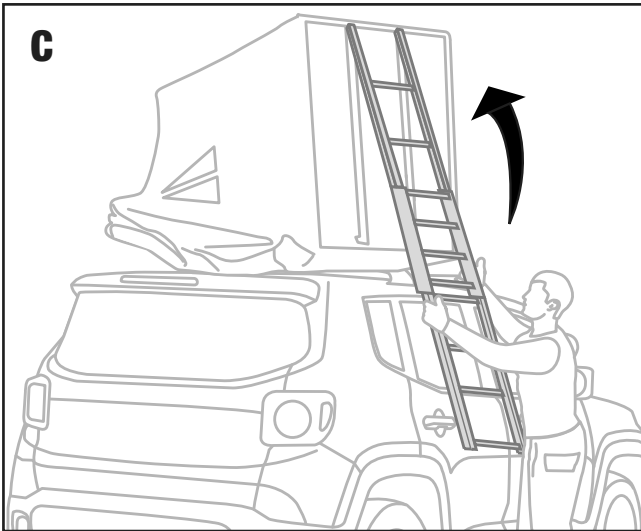
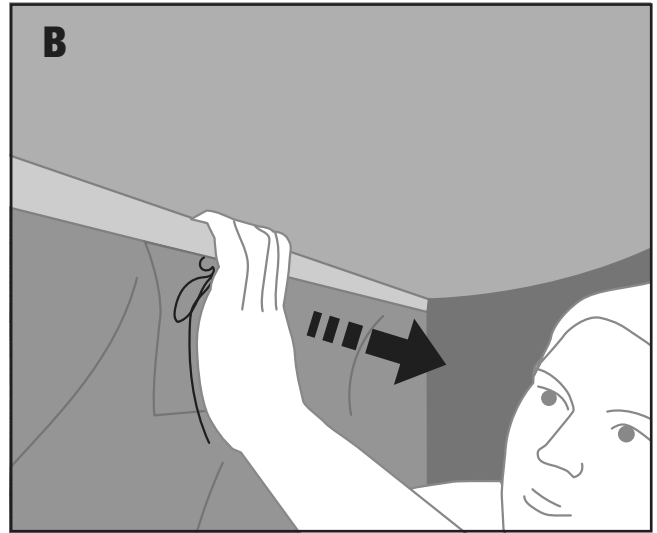
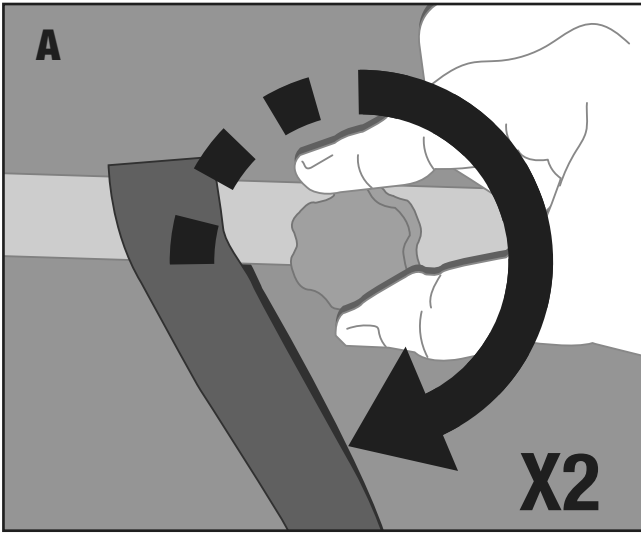
CLOSING

Chiusura • Fermeture • Schließung

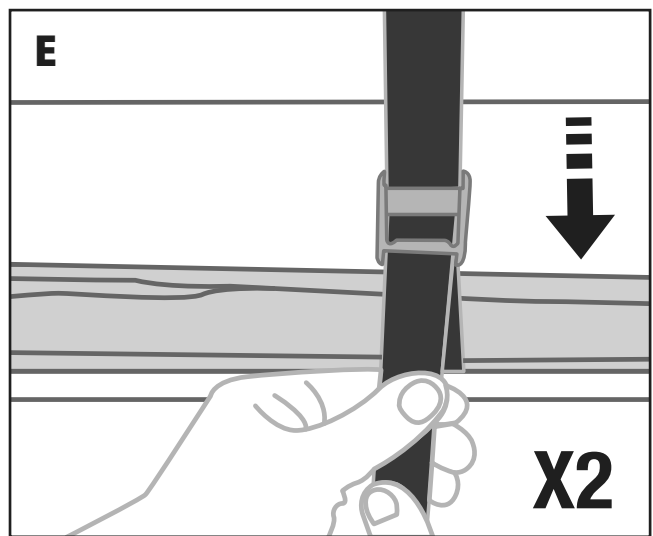
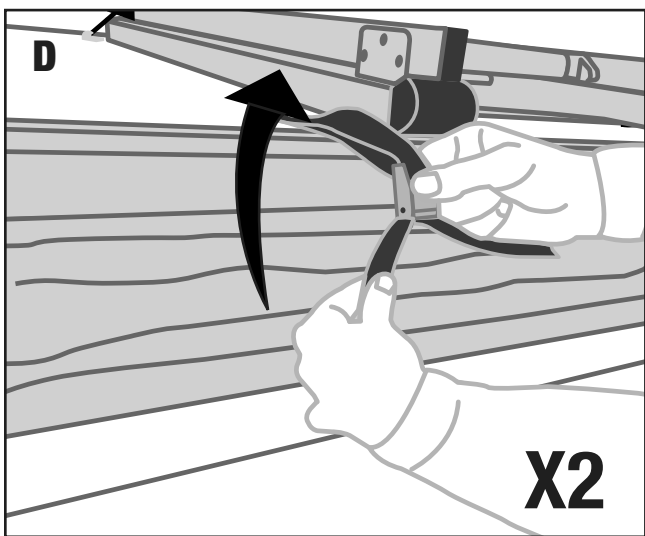
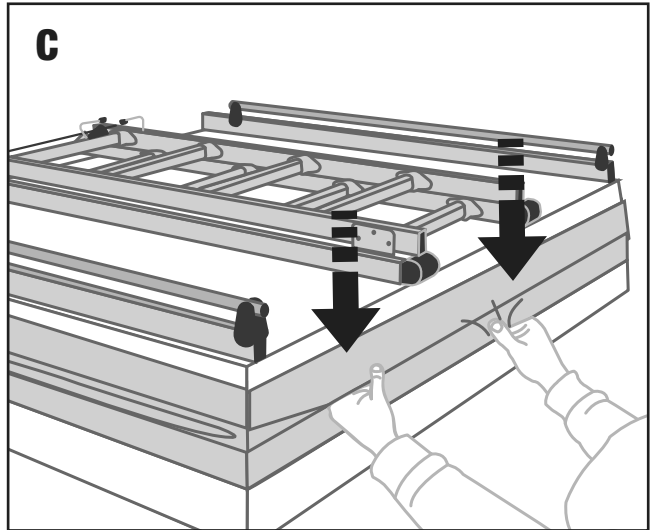
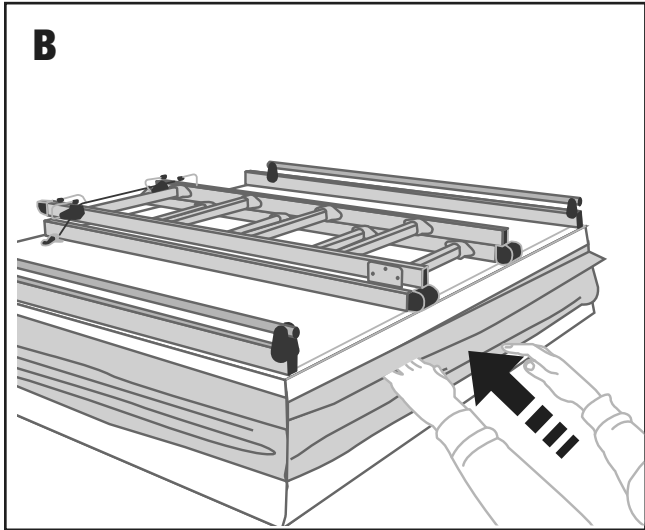
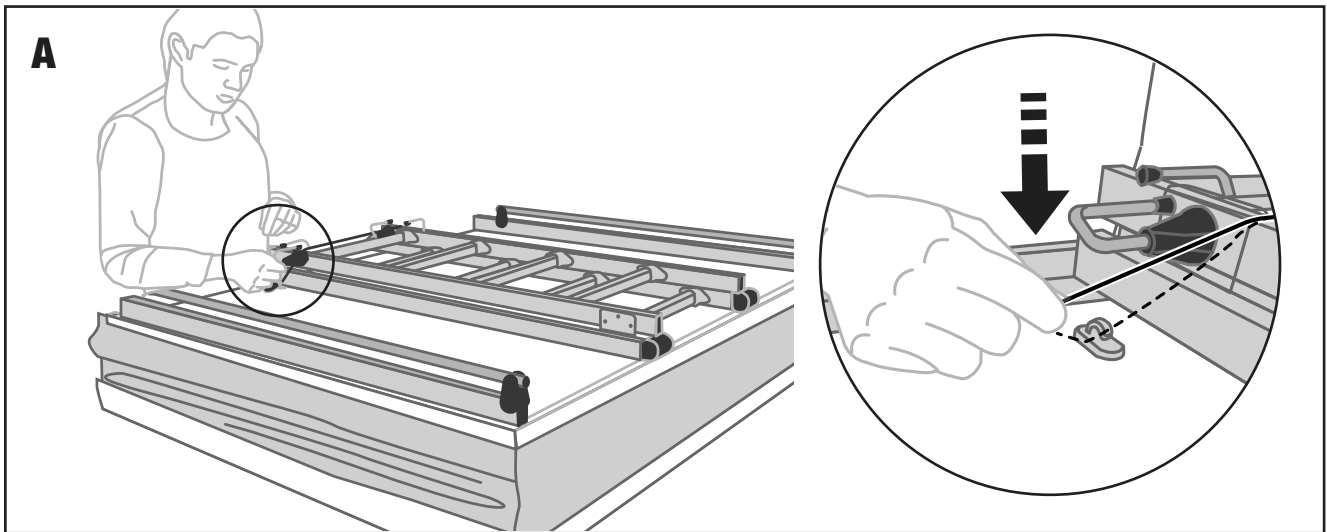
13

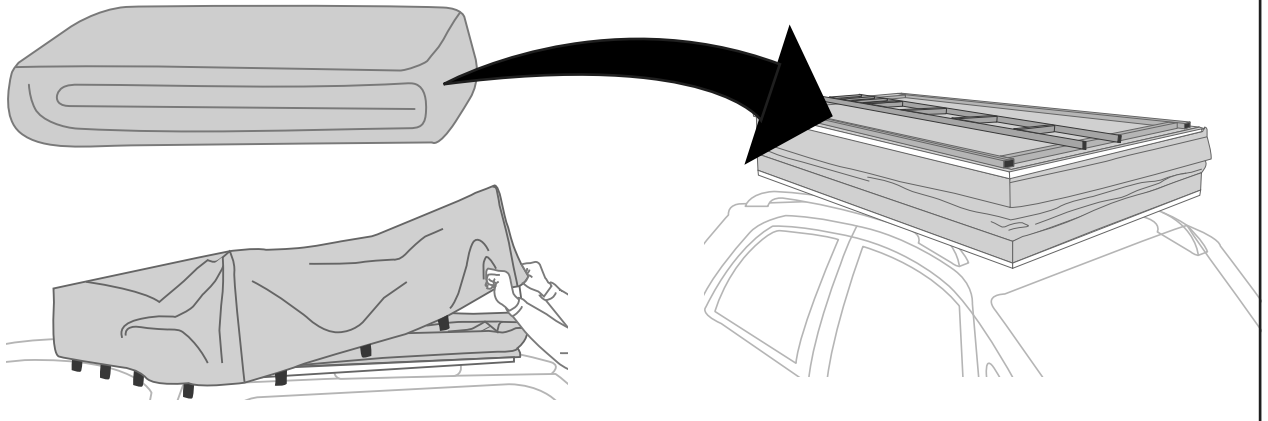
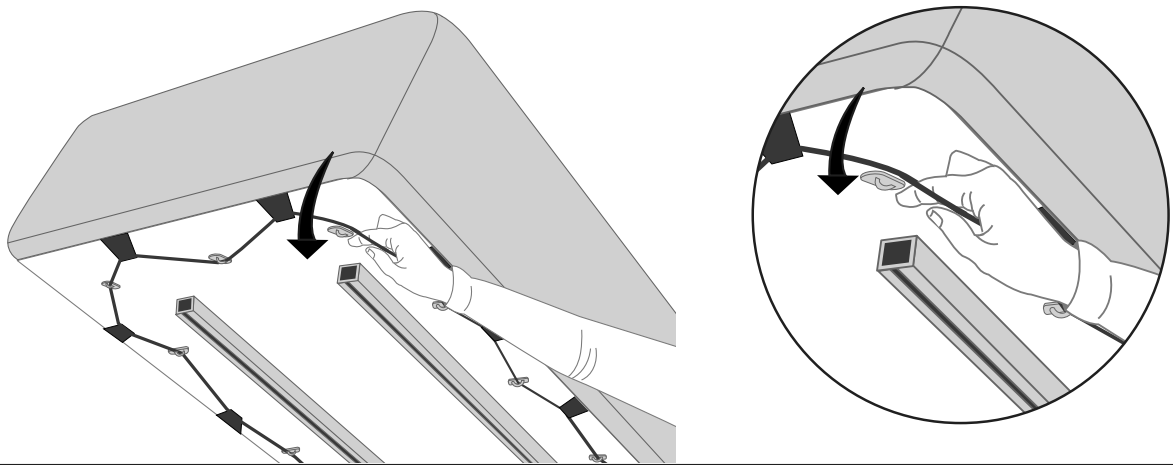
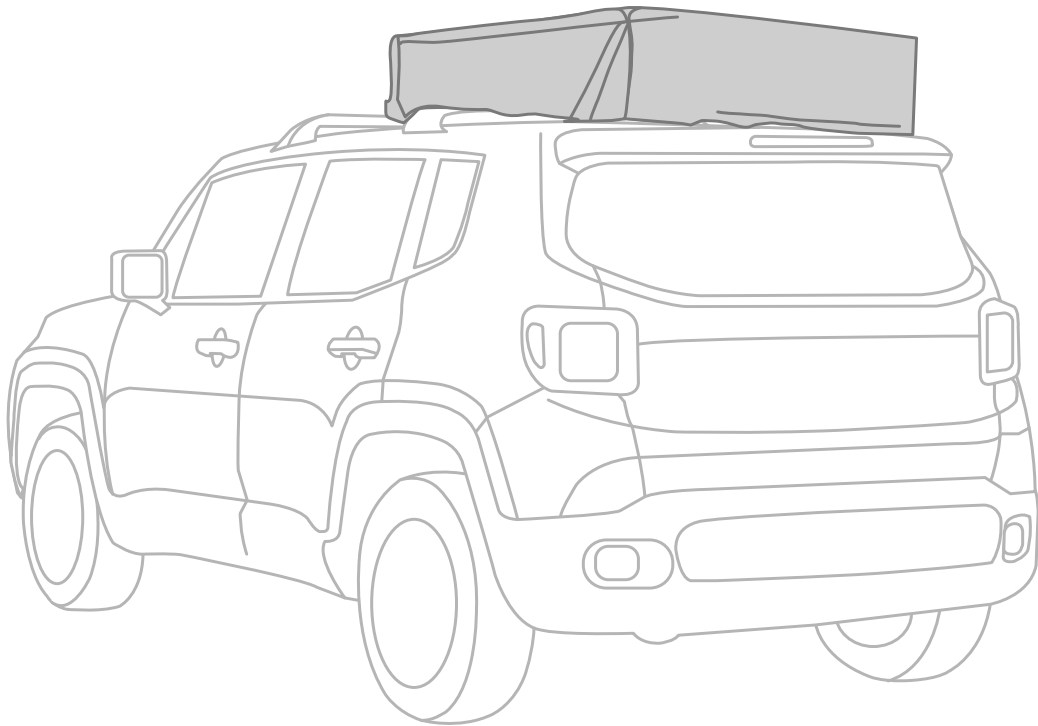


14

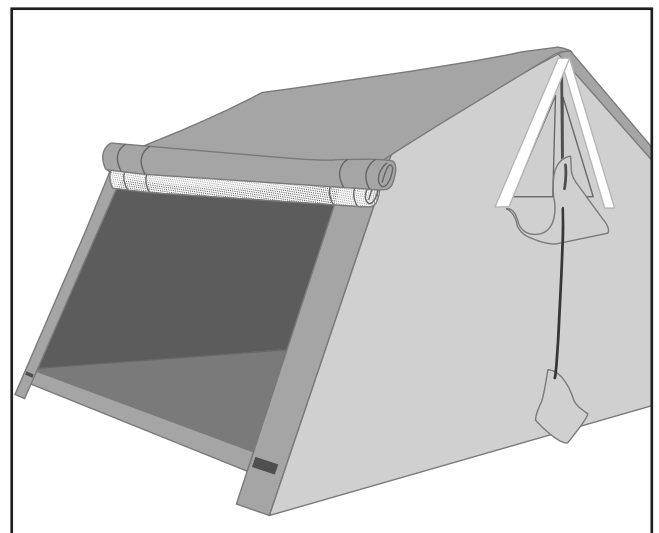
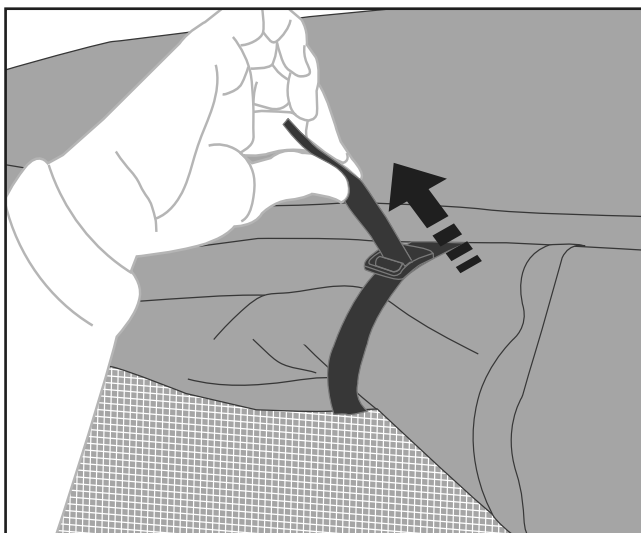
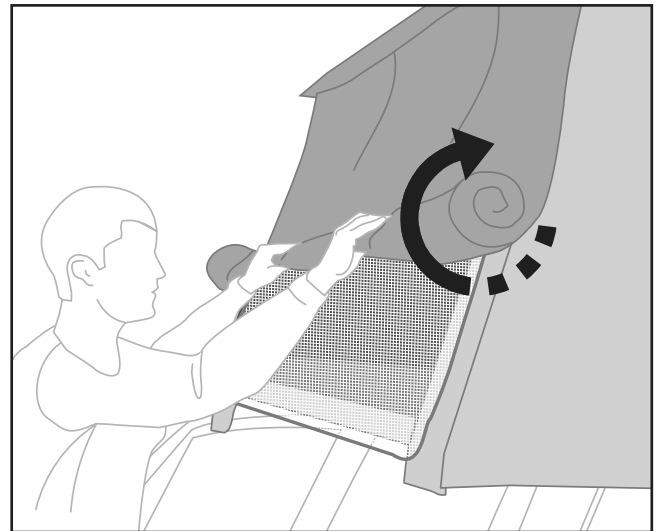
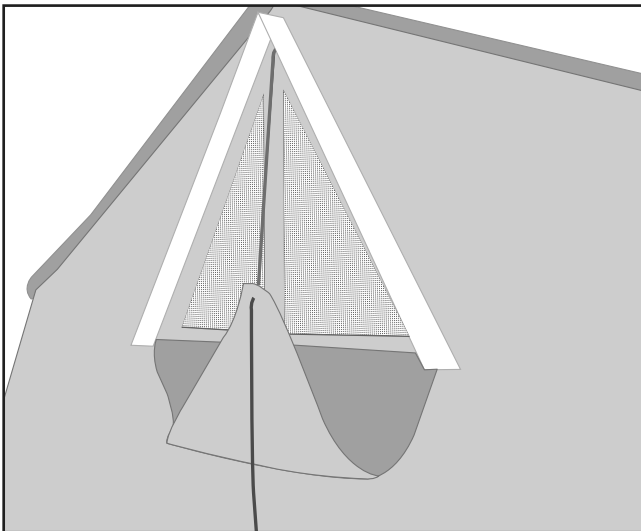
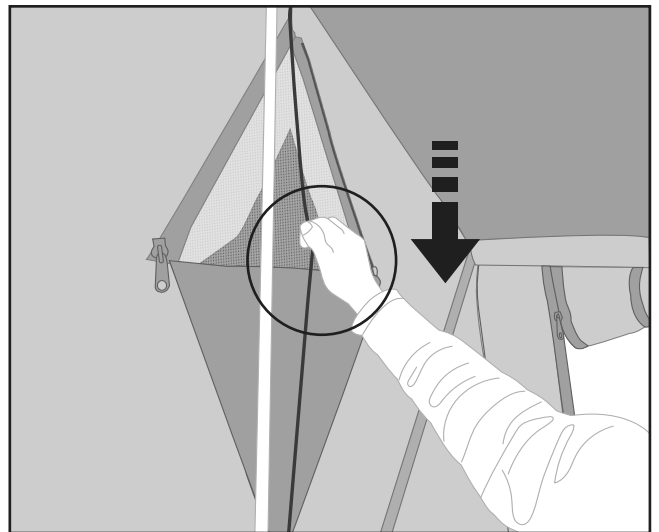
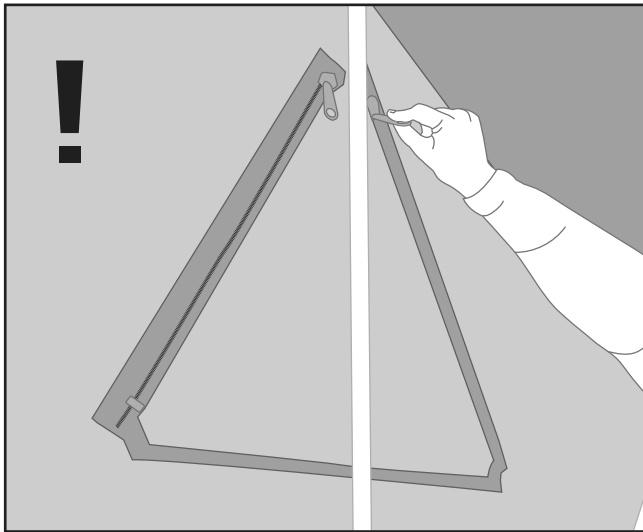


15



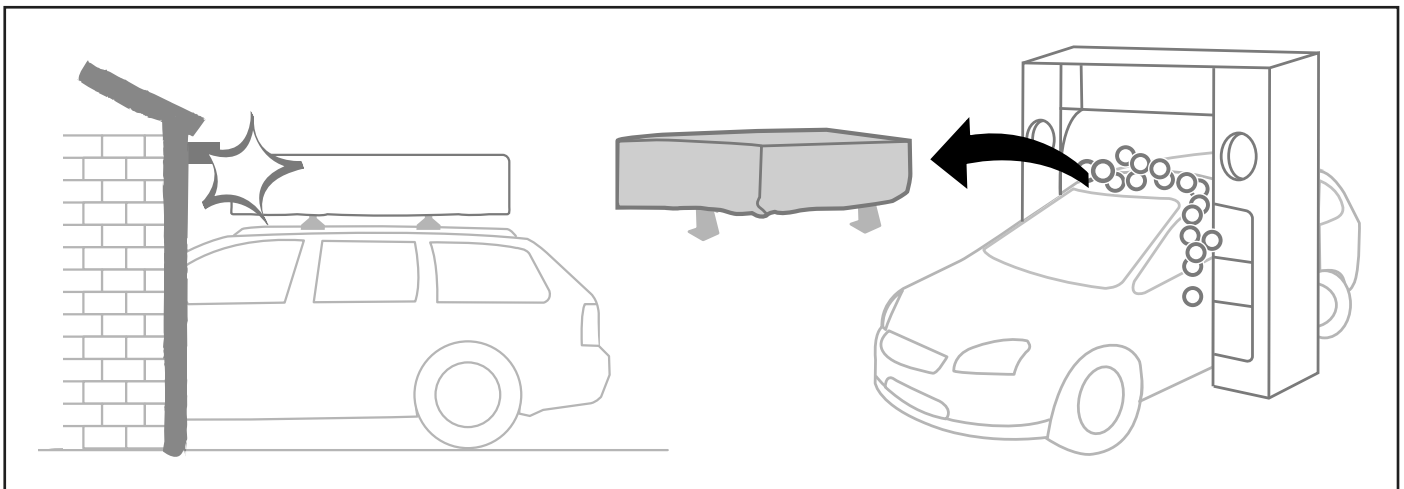
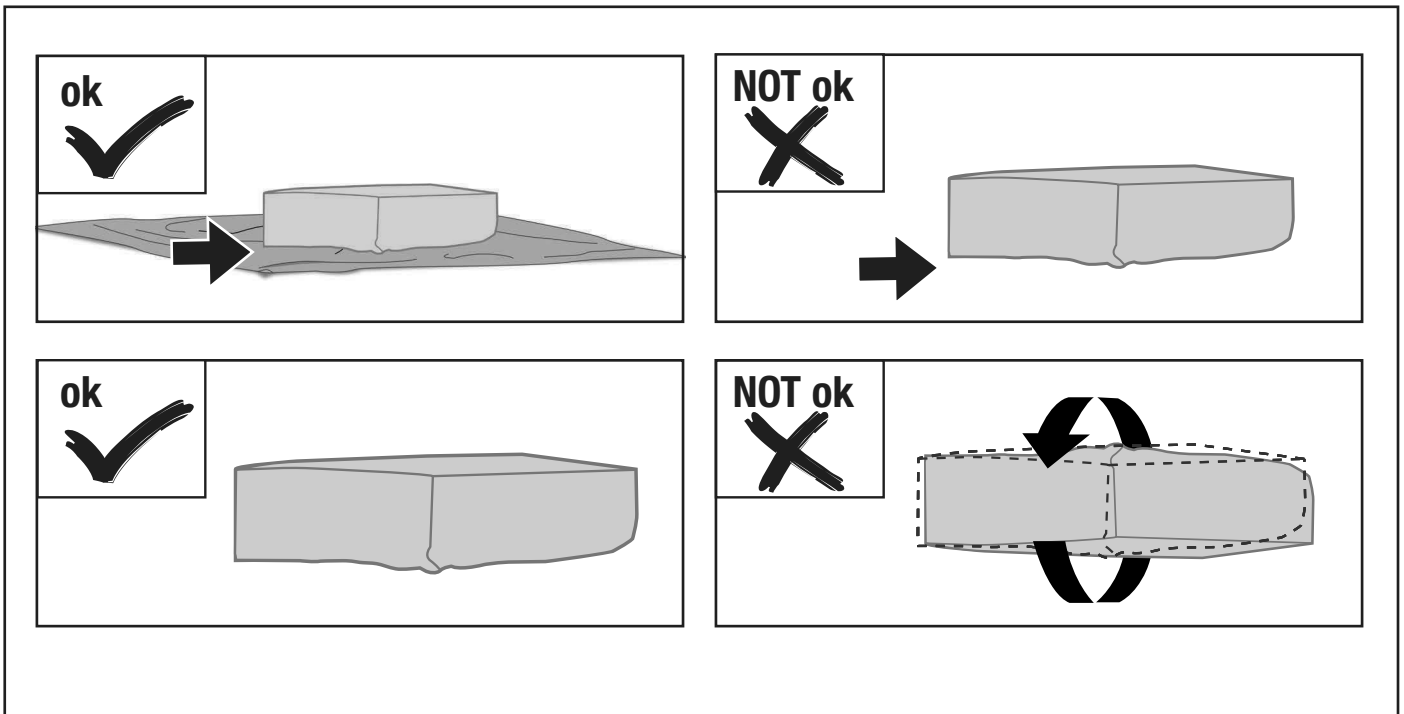
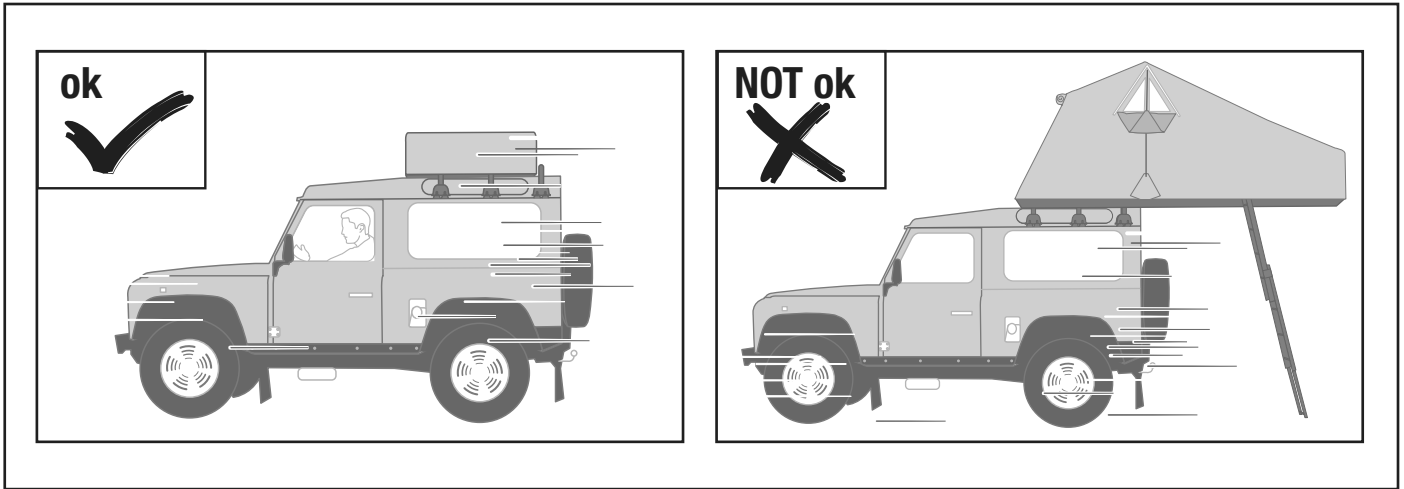
F**G****16**

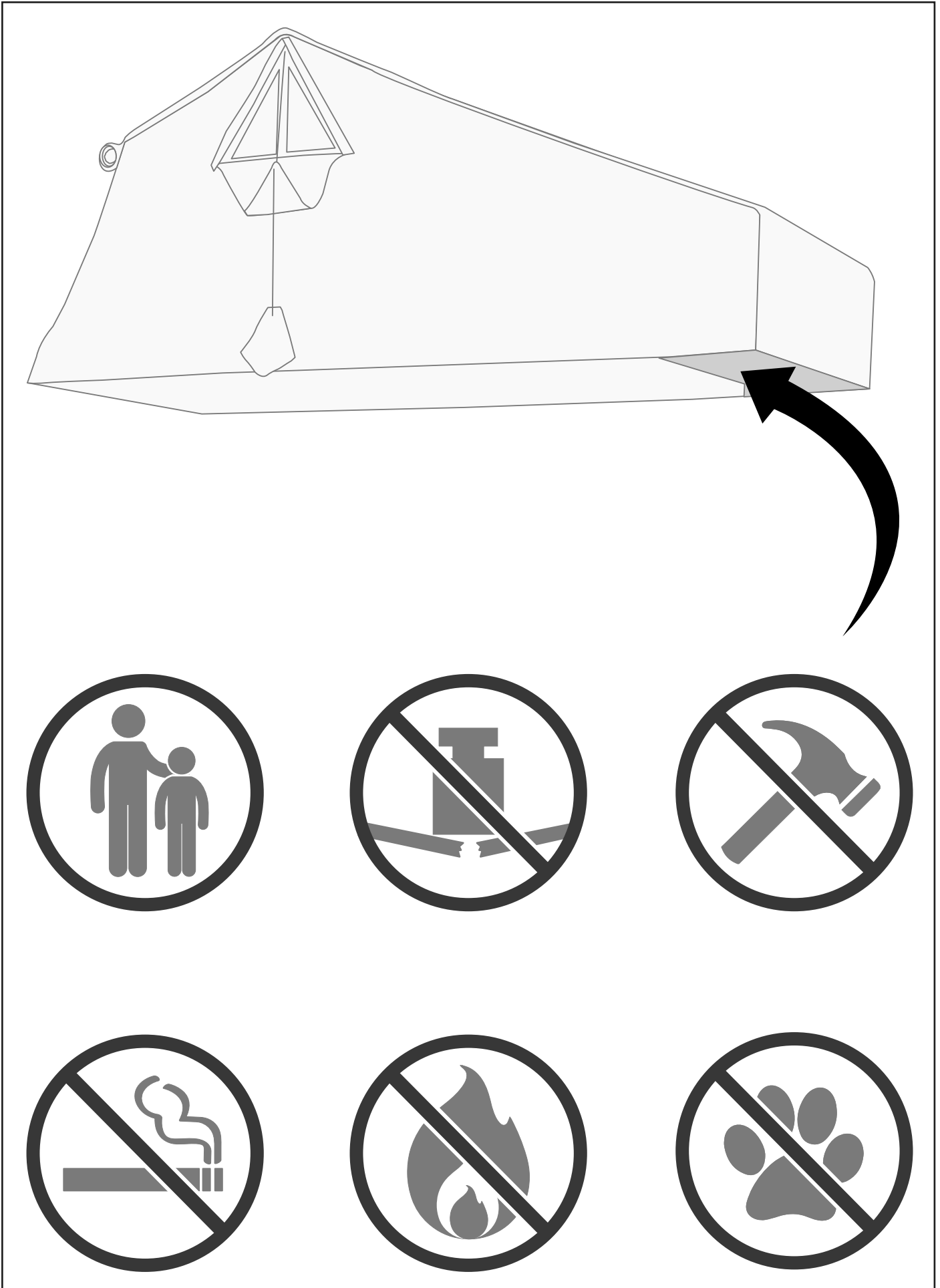
HANDLE WITH CARE



WARNINGS

Avvertenze • Avertissement • Warnungen







AUTOHOME® produced by
Zifer Italia Srl
Viale Risorgimento, 23
46017 Rivarolo Mantovano
(Mantova) Italy
Tel. +39 0376 99590
+39 0376 958164
Fax +39 0376 958088

AUTOHOME-OFFICIAL.COM
info@autohome.it

☉ MADE IN ITALY

f FREE RAIDER Autohome-Club



PRODUCT QUALITY CERTIFICATION