



OVERCAMP SERIES INSTRUCTIONS

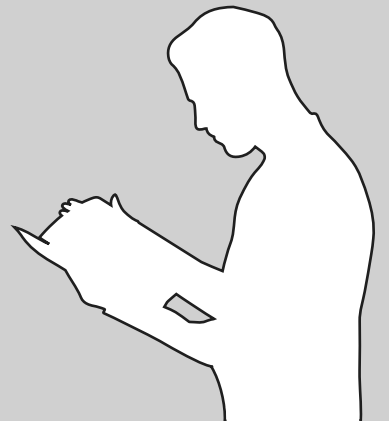
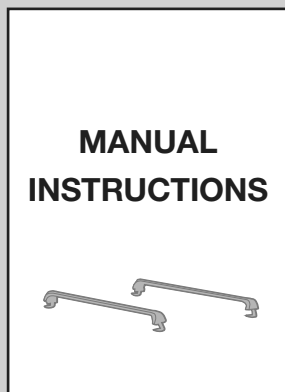
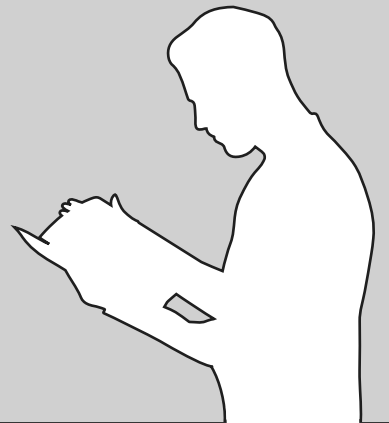
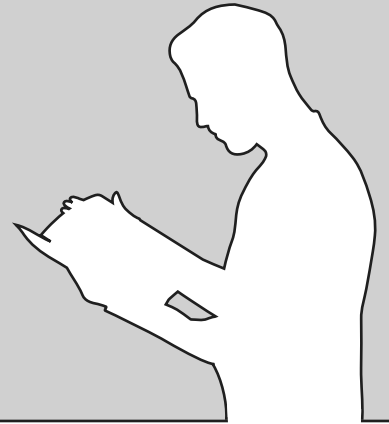
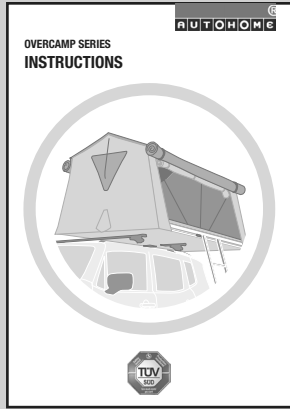


WARNINGS

Avvertenze • Avertissement • Warnungen



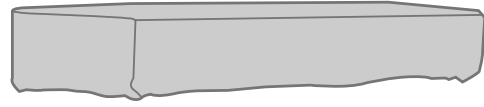
MODELS <i>Modelle</i> <i>Modèles</i> <i>Modelli</i>	TENT WEIGHT <i>Zeltgewicht</i> <i>Poids de la tente</i> <i>Peso della tenda</i>	MAXIMUM OCCUPANTS WEIGHT <i>Maximales Bewohnergewicht</i> <i>Poids Maximum des occupants</i> <i>Peso massimo degli occupanti</i>	MEASURES WHEN CLOSE <i>Abmessungen bei geschlossenem Zelt</i> <i>Dimensions (tente fermée)</i> <i>Misure chiuse</i>	MEASURES WHEN OPEN <i>Abmessungen bei offenem Zelt</i> <i>Dimensions (tente ouverte)</i> <i>Misure aperte</i>
<i>Overcamp Small</i> <i>Overcamp Medium</i>	<i>ca. 50 kg</i> <i>ca. 54 kg</i>	 <i>ca. 180 kg</i>  <i>ca. 280 kg</i>	<i>65x200x35 cm</i> <i>90x200x35 cm</i>	<i>130x200x100 cm</i> <i>180x200x115 cm</i>



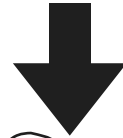
Kg P1



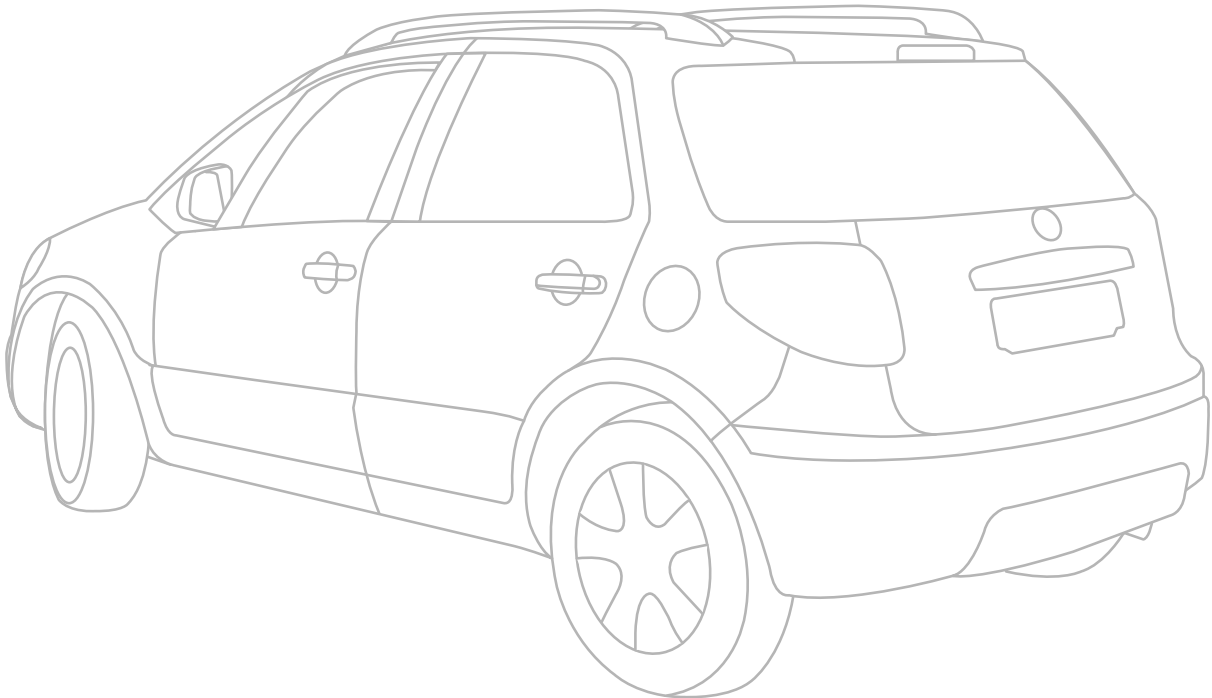
Kg P2

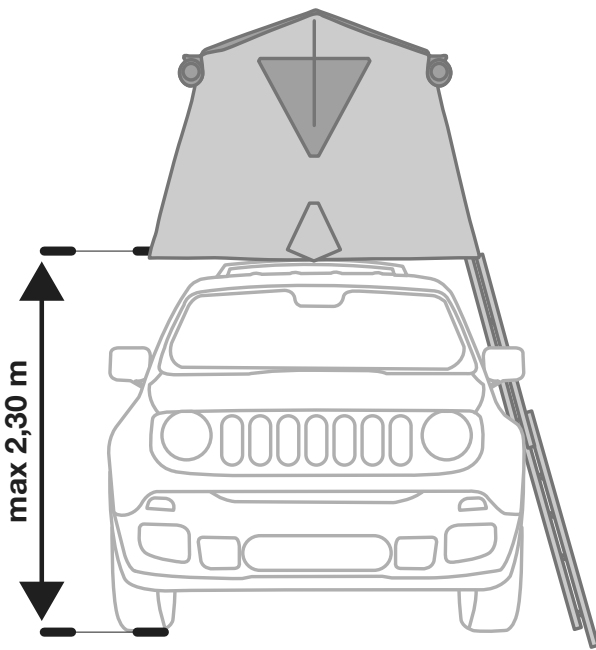
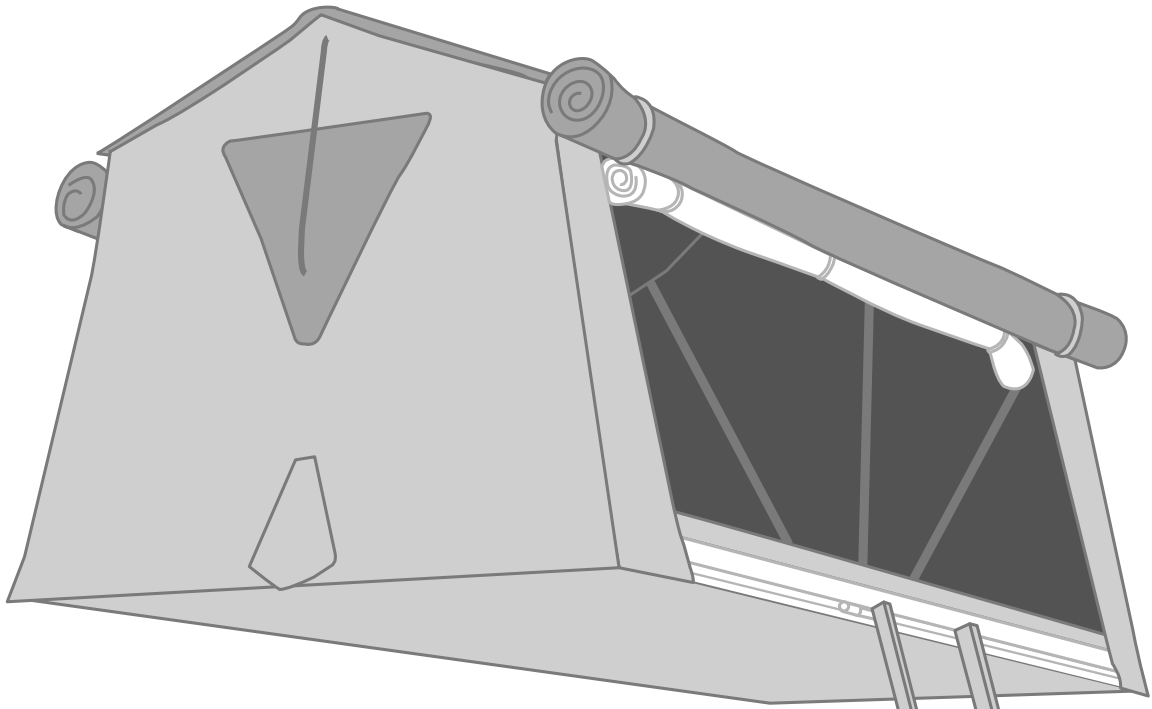


$$(P1 + P2) \leq \text{Kg } P_{MAX}$$

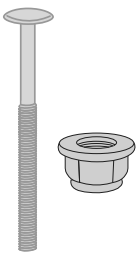


Kg P_{MAX}





X1

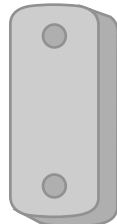


X8



A

X4
h 4 mm



B

X4
h 12 mm



C

X4

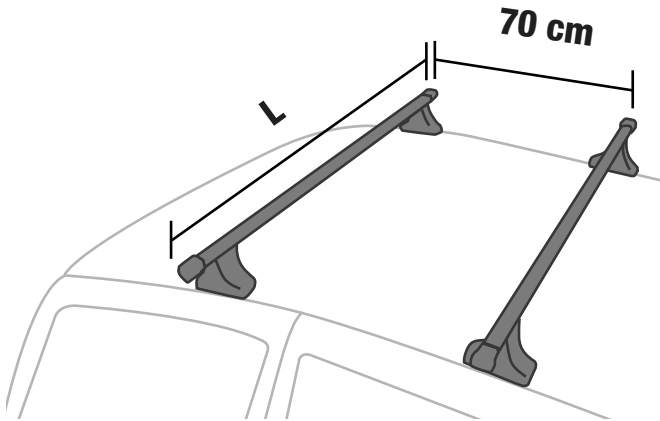
POSITIONING

Posizionamento • Placement • Platzierung

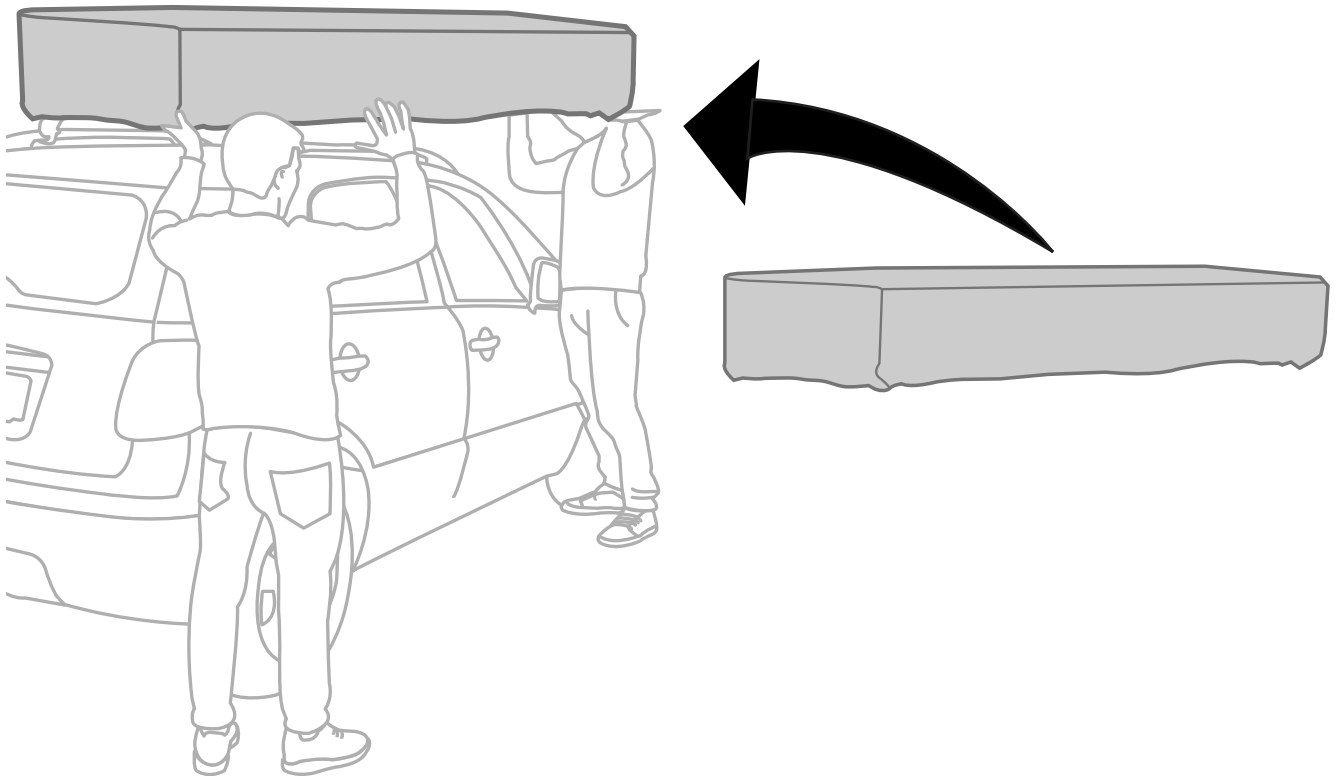
1

Minimum length

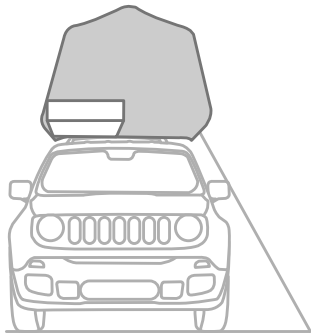
Lunghezza minima • Longueur minimale • Mindestlänge



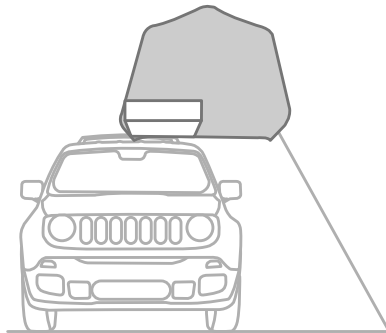
ROOF TENT	L
Overcamp Small	124 cm
Overcamp Medium	142 cm
Overcamp Large	160 cm
Small + Small (2c)	142 cm
Small + Medium (2c)	160 cm
Medium + Medium (2c)	160 cm



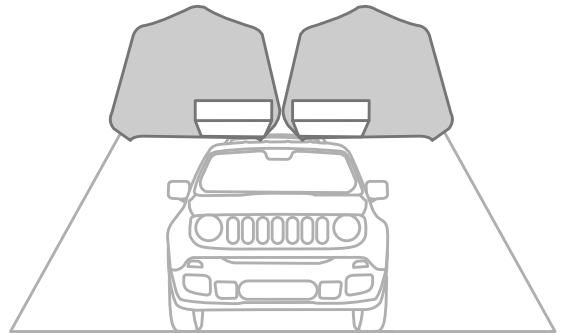
2



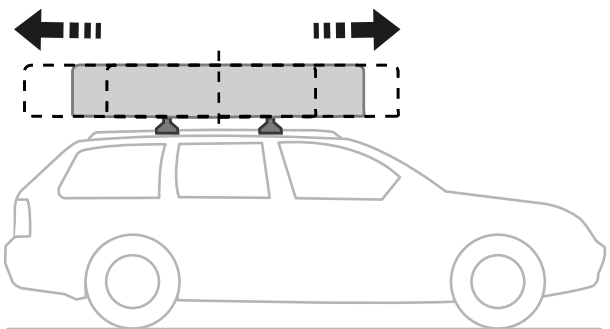
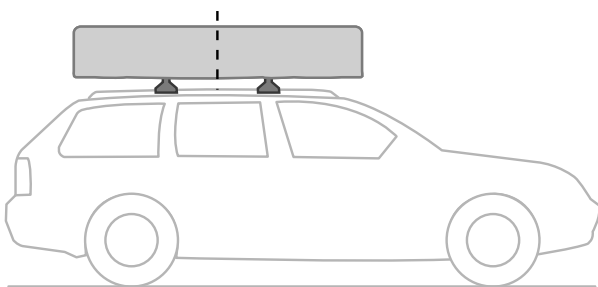
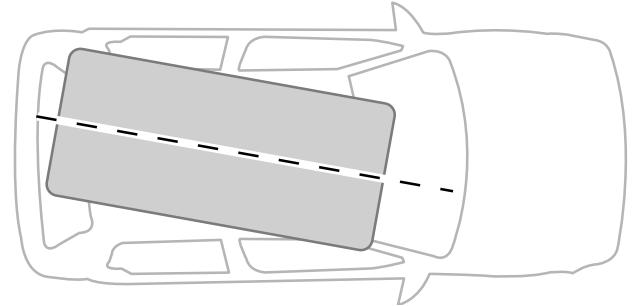
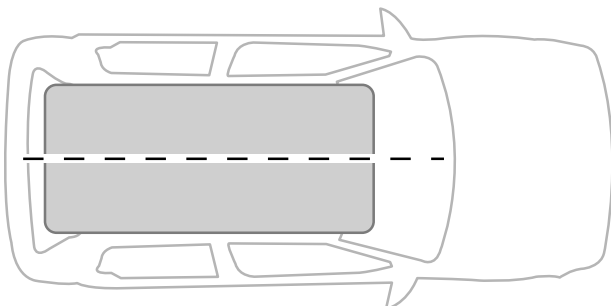
(2a)



(2b)



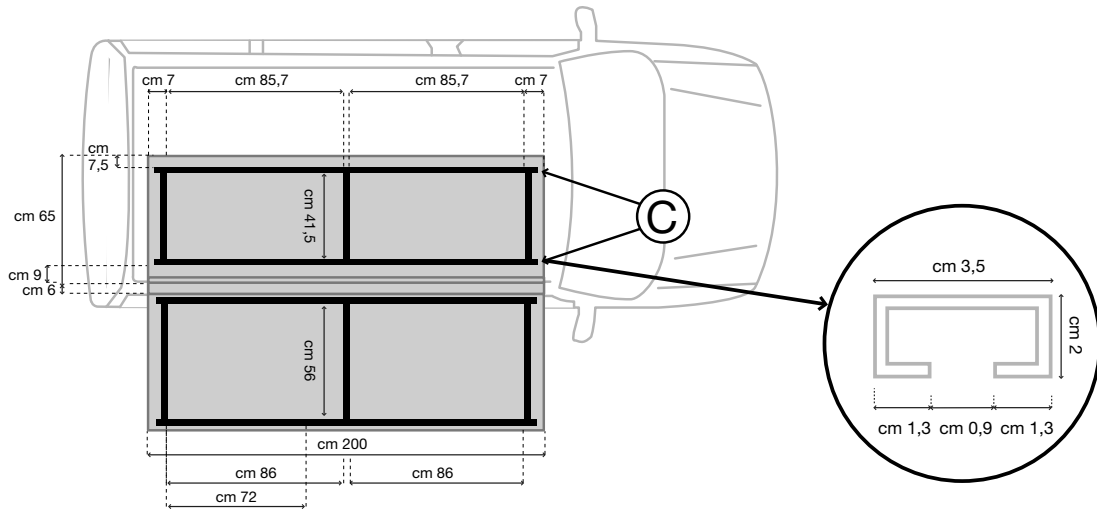
(2c)



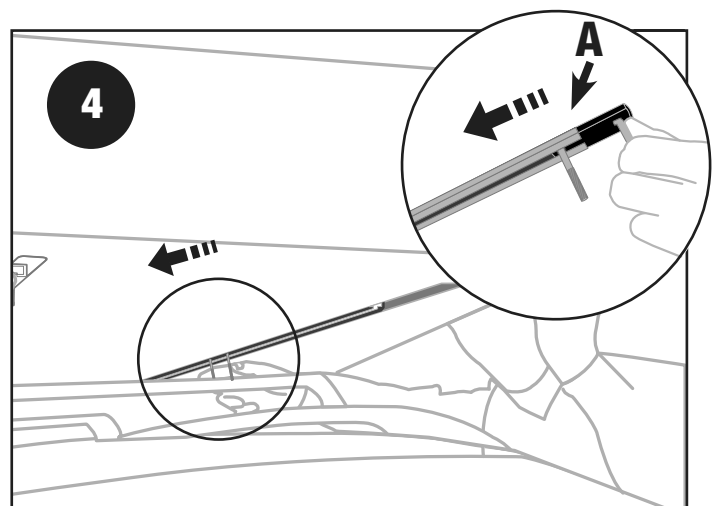
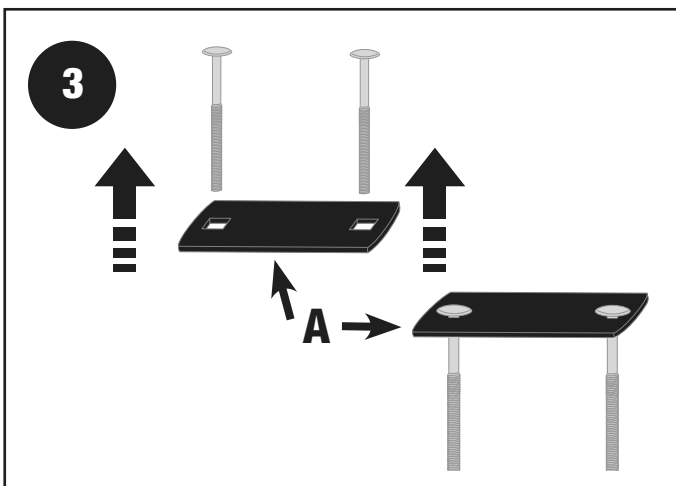
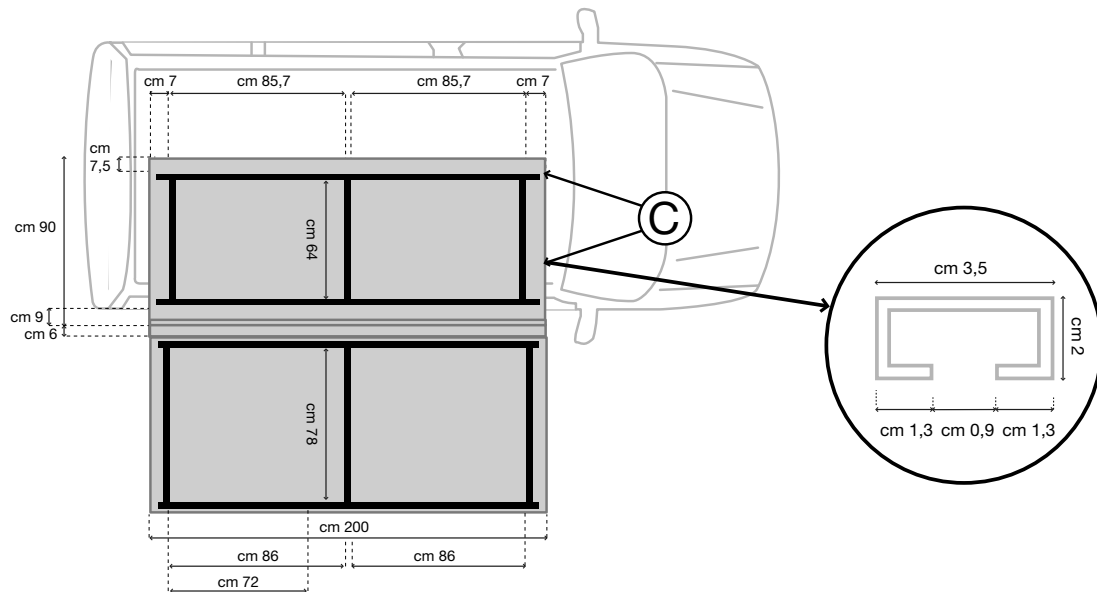
FIXING

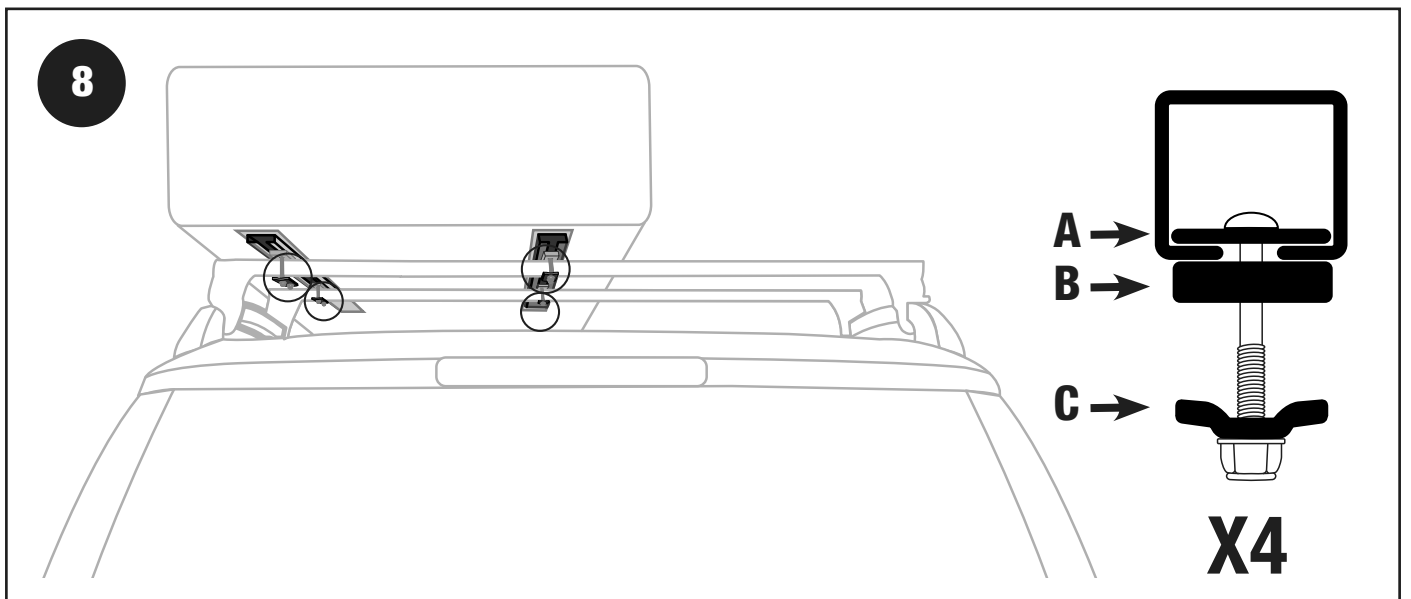
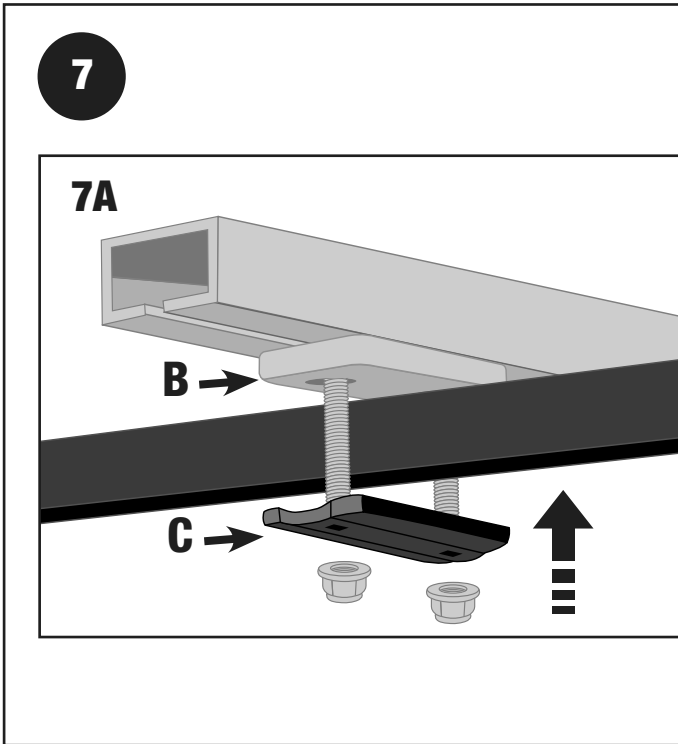
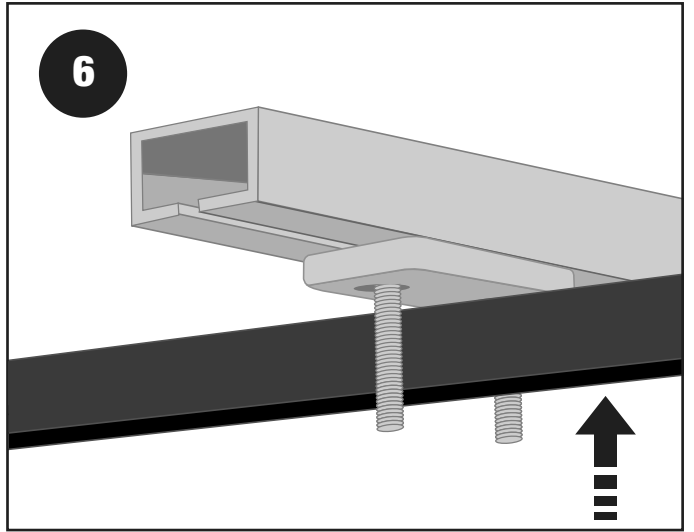
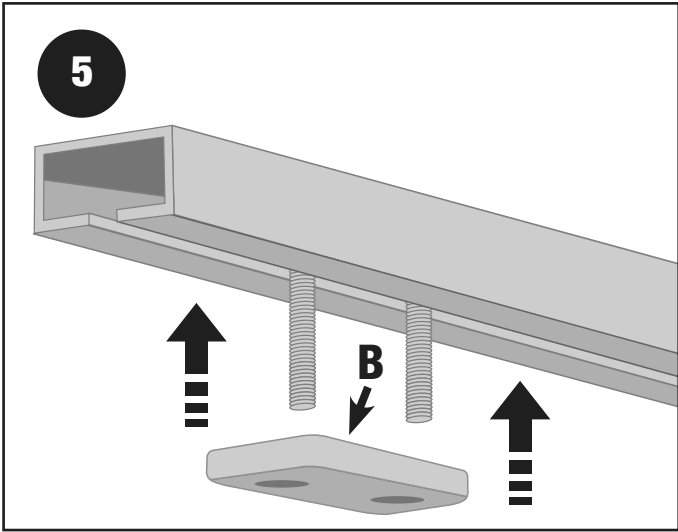
Fissaggio • Fixation • Befestigung

STANDARD FIXING OVERCAMP SMALL



STANDARD FIXING OVERCAMP MEDIUM

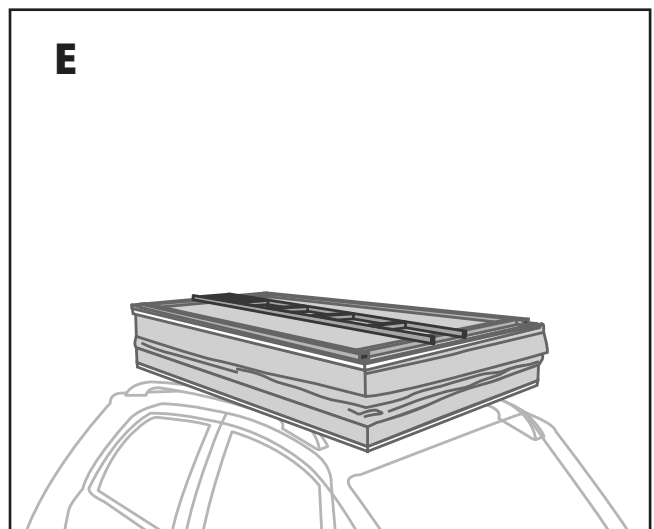
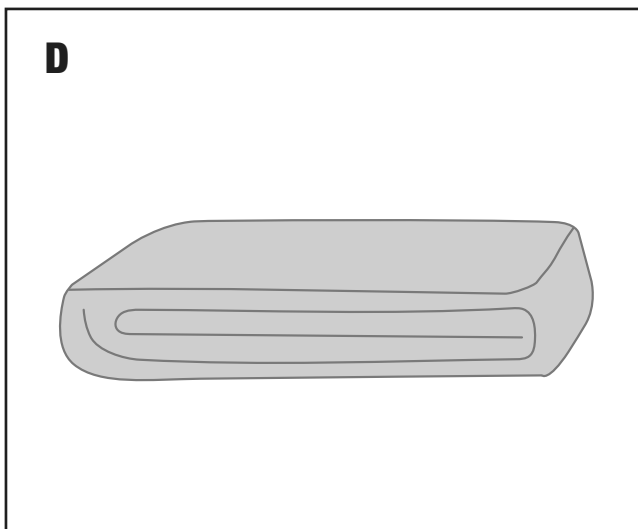
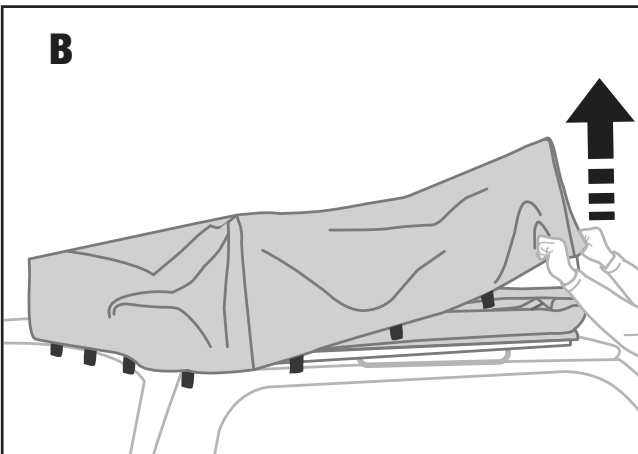
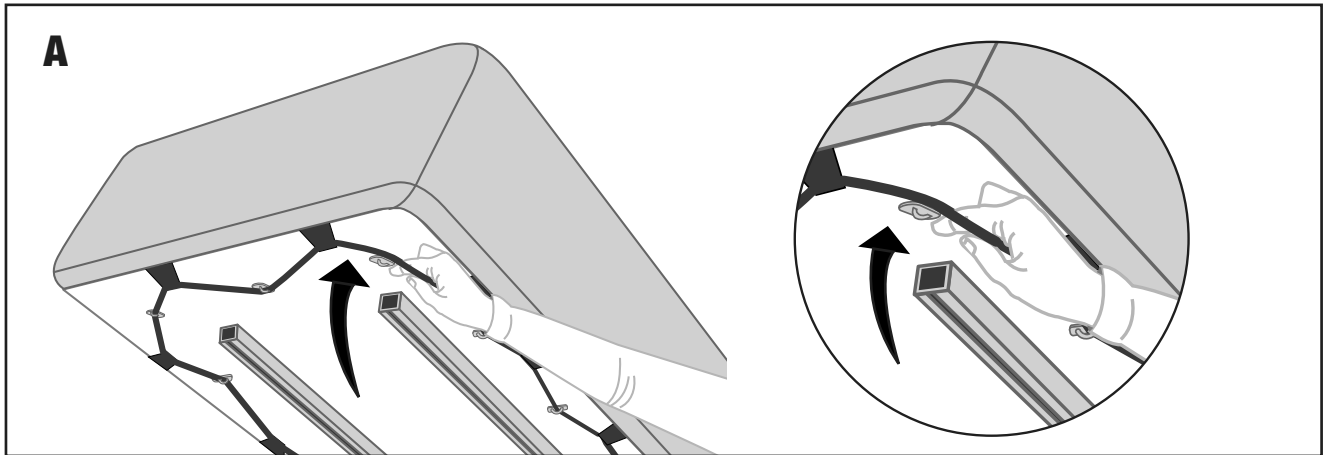


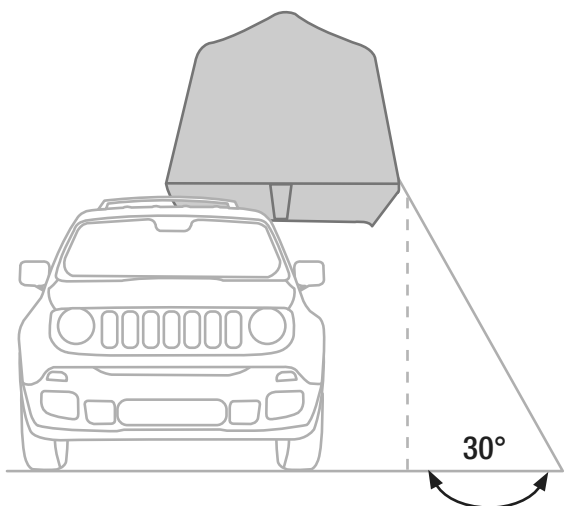
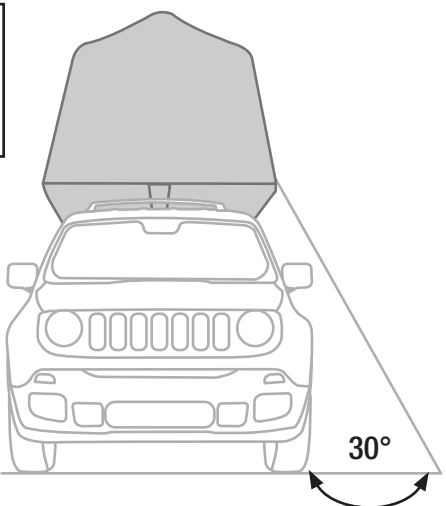
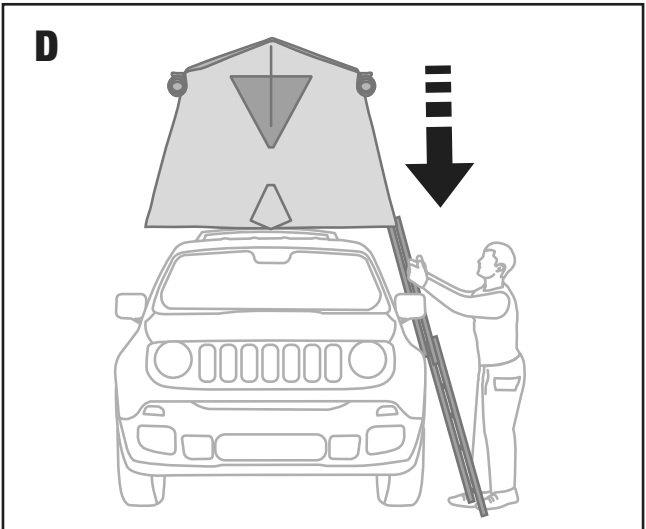
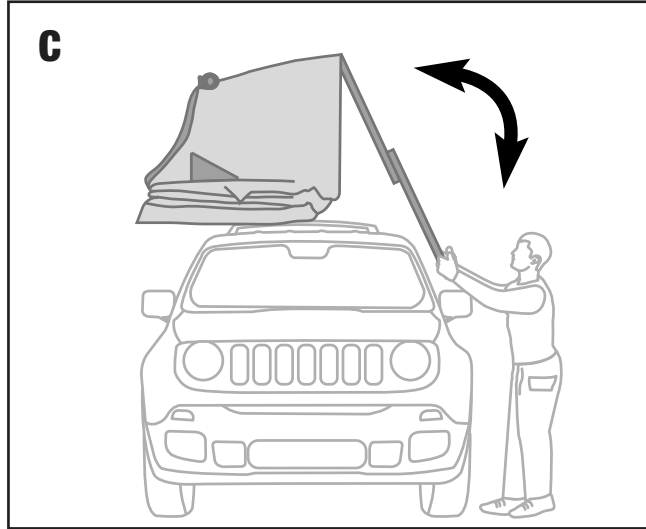
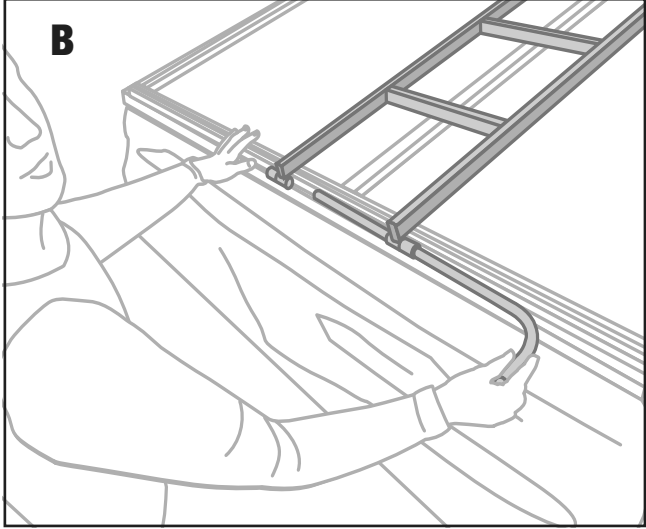
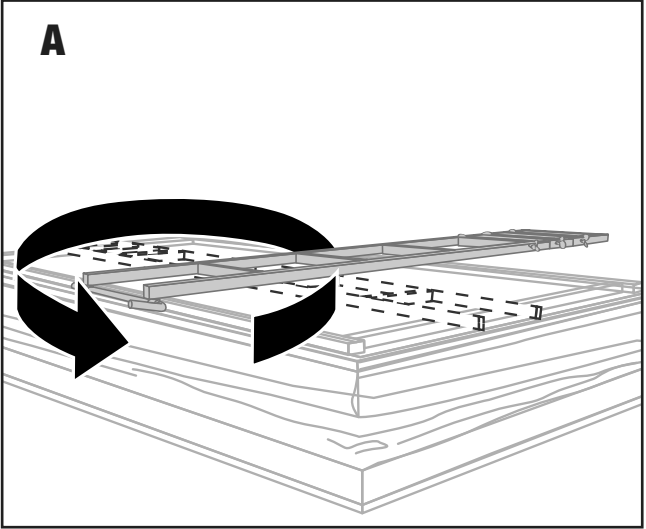


OPENING

Apertura • Overture • Öffnung

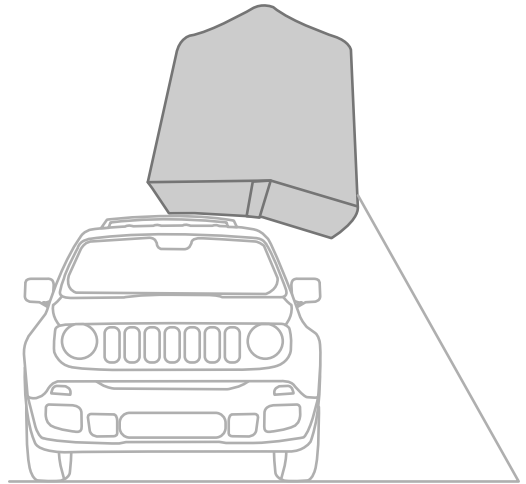
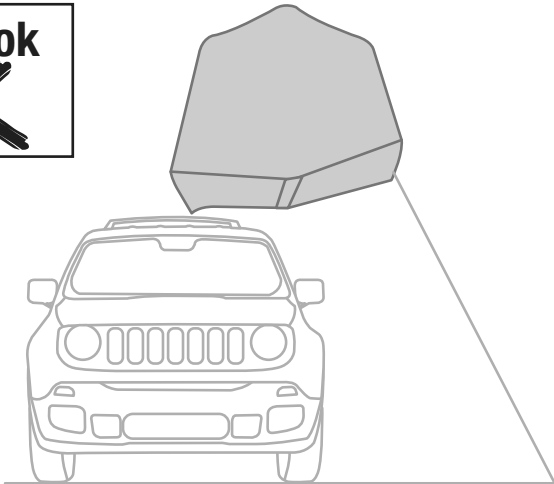
9



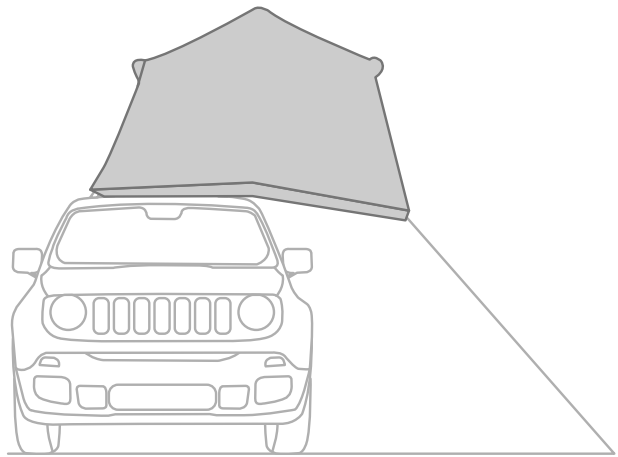
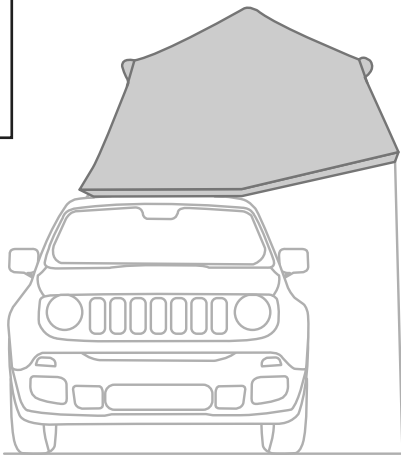


11

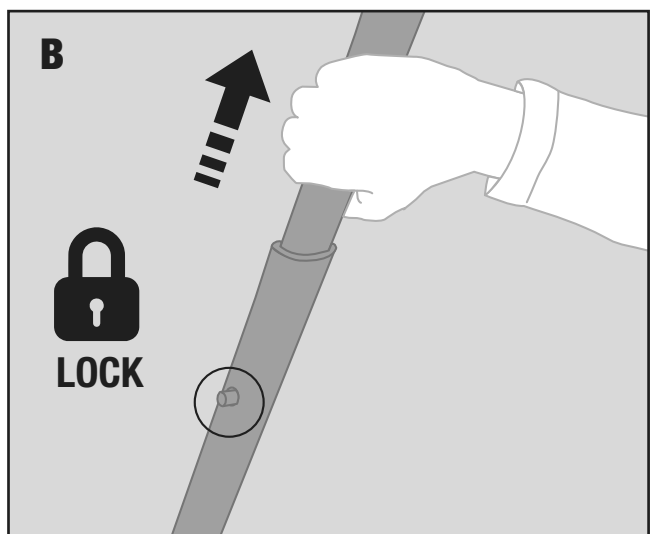
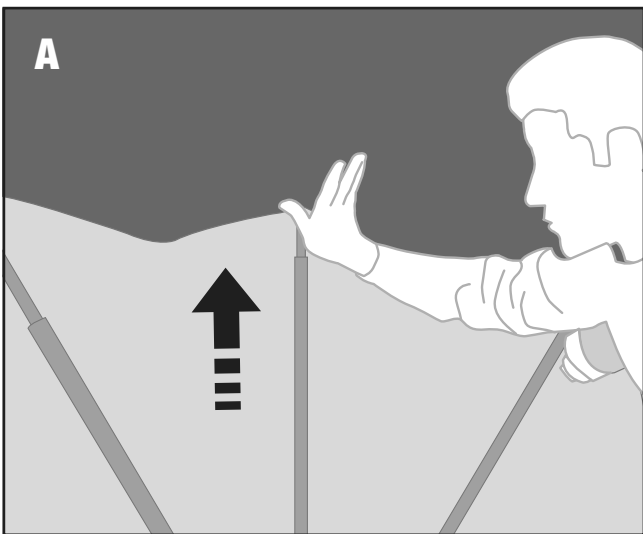
NOT ok

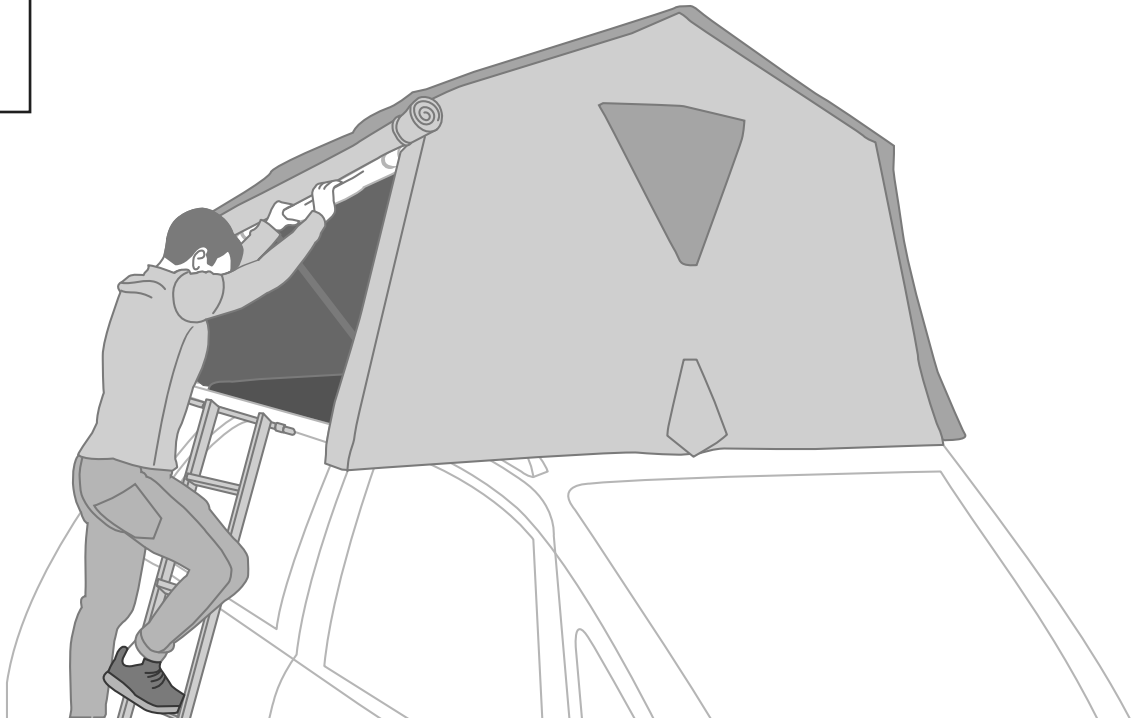
NOT ok

12



NOT ok

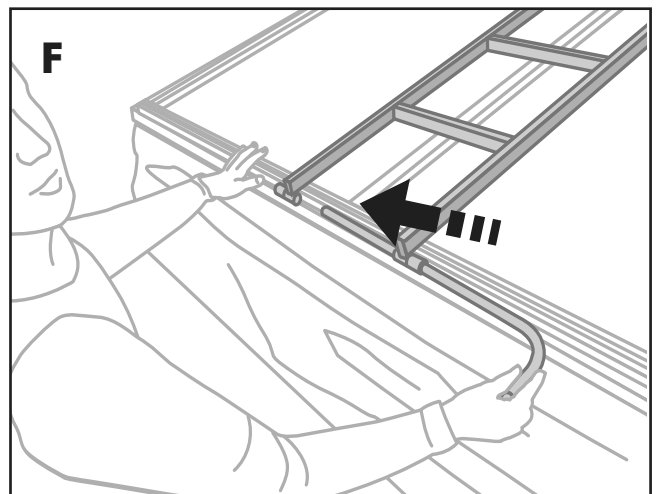
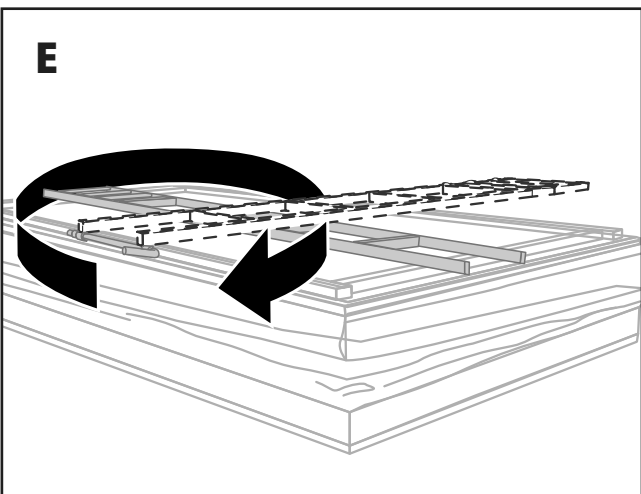
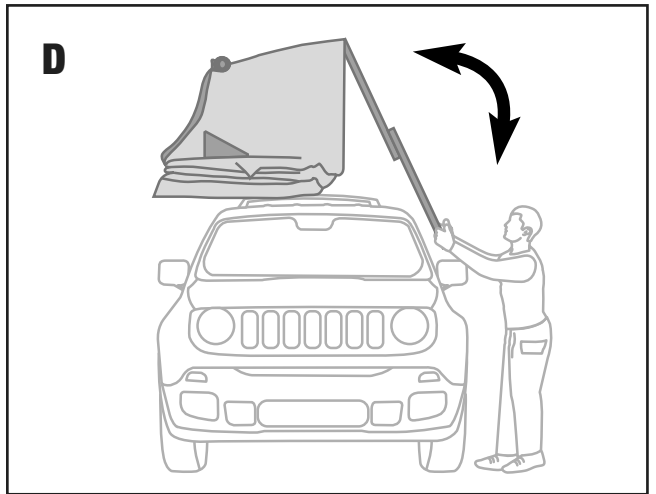
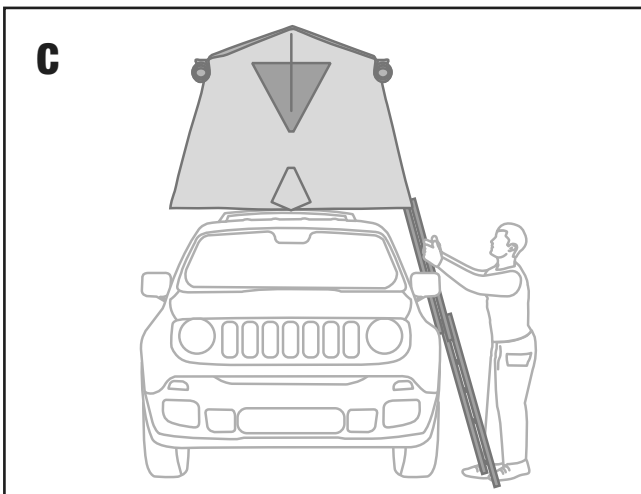
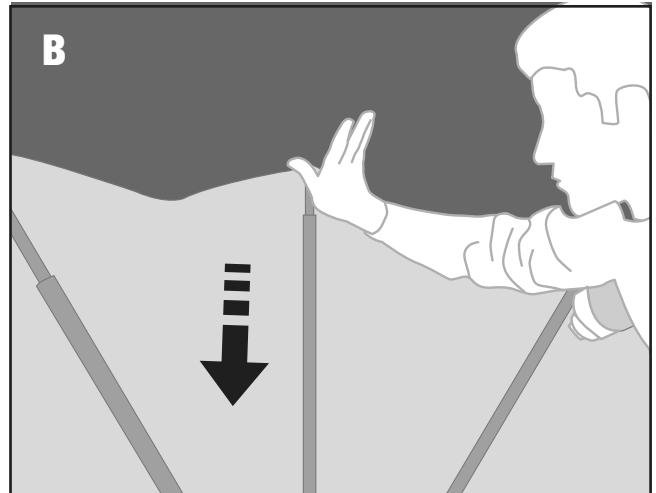
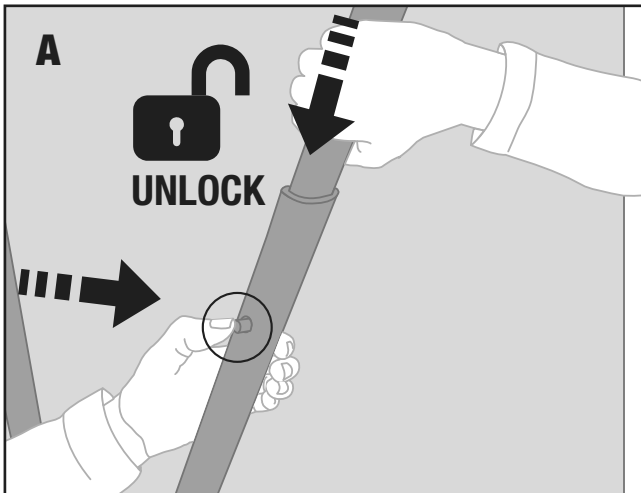
13



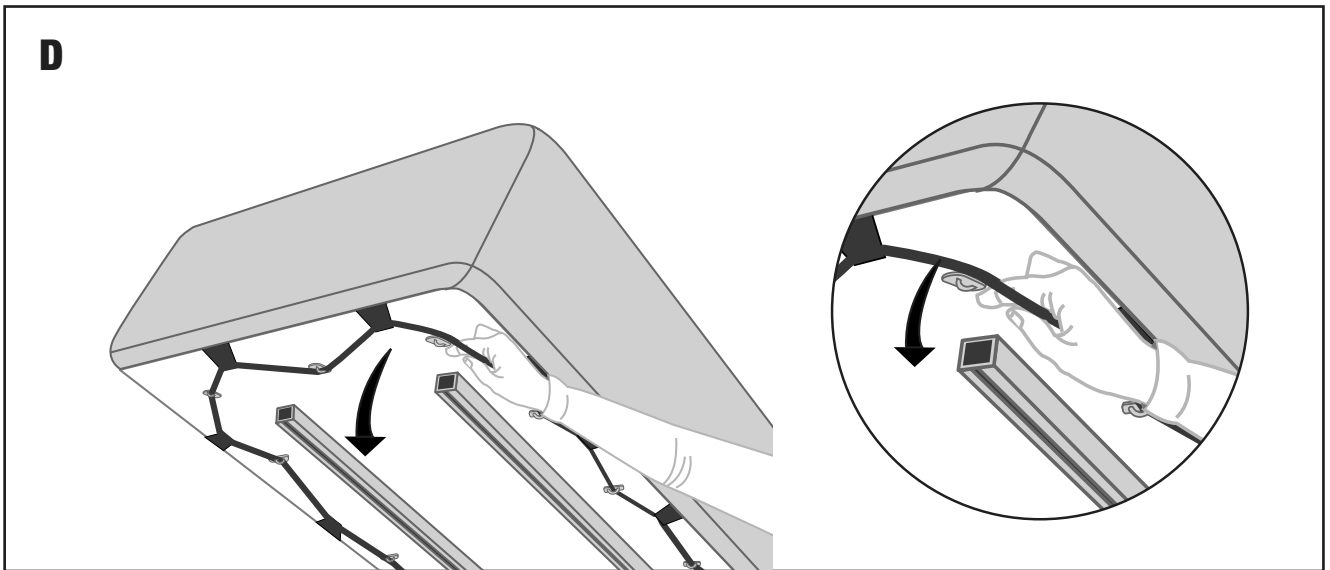
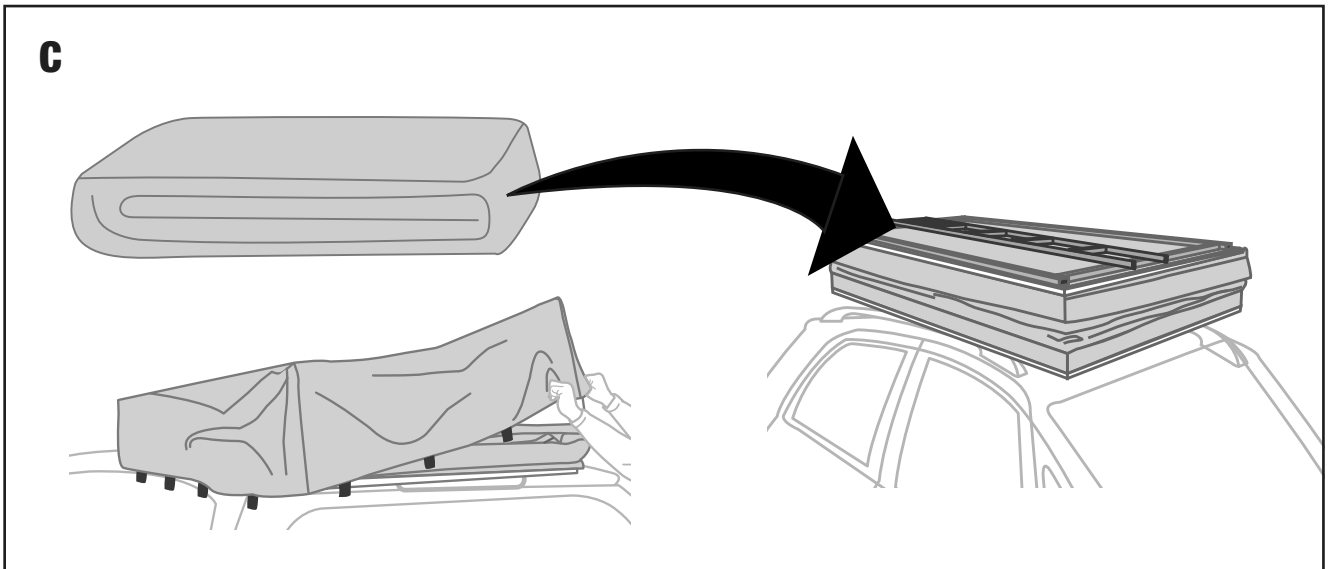
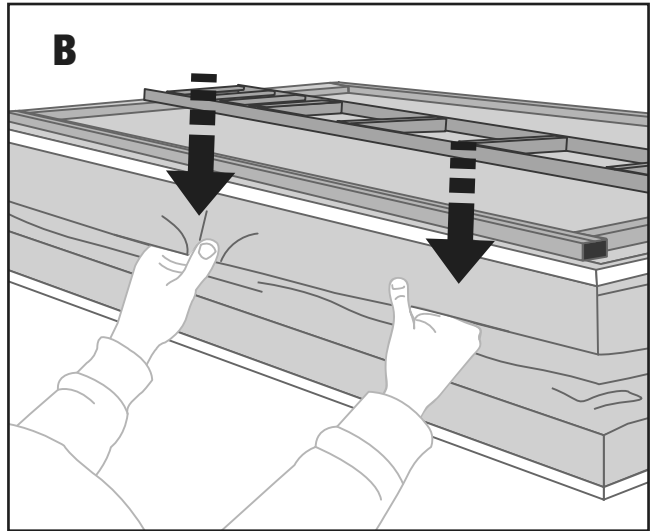
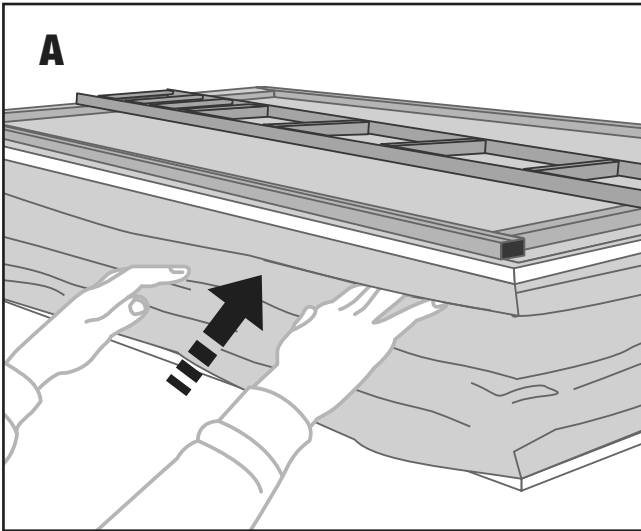
CLOSING

Chiusura • Fermeture • Schließung

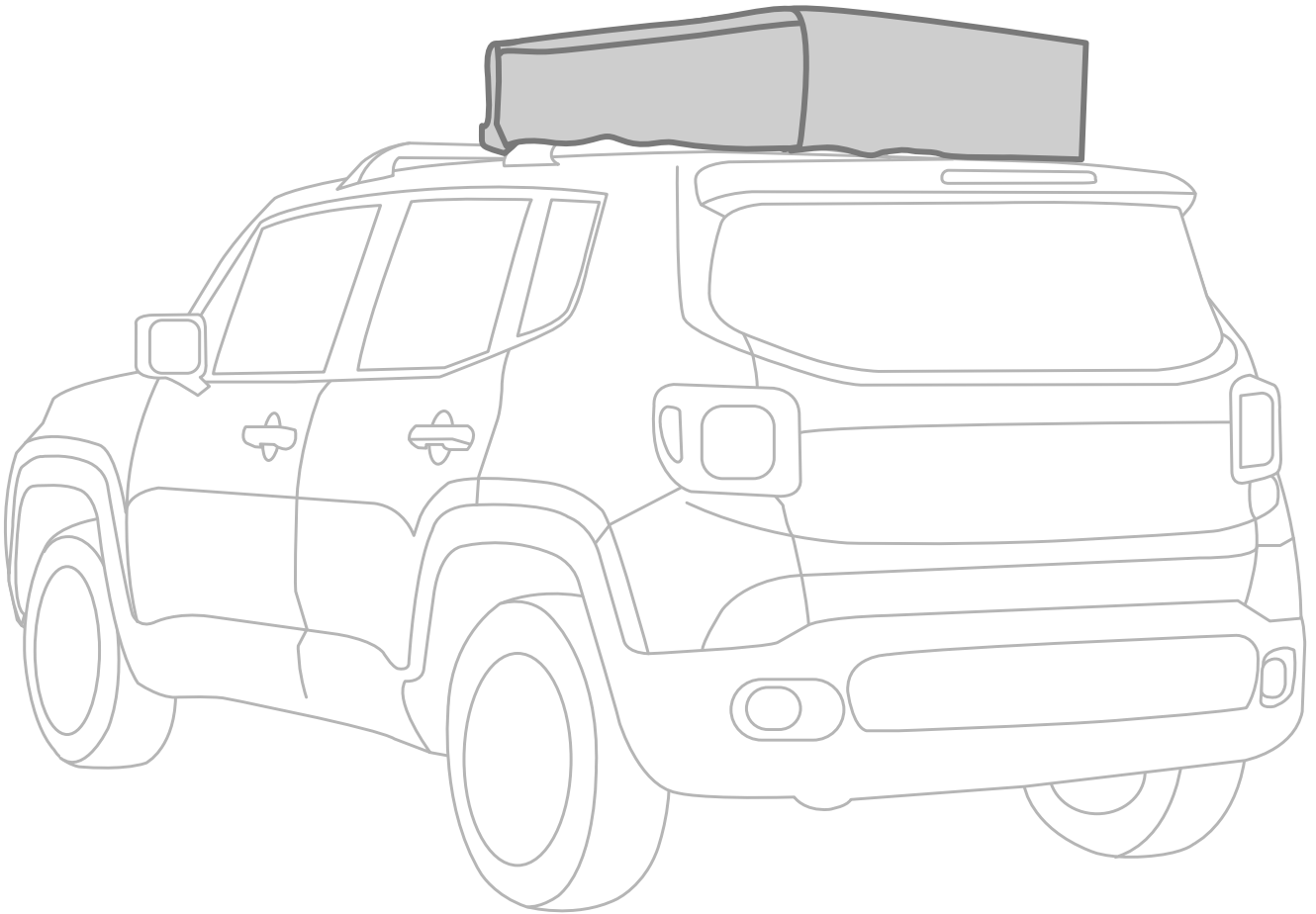
14



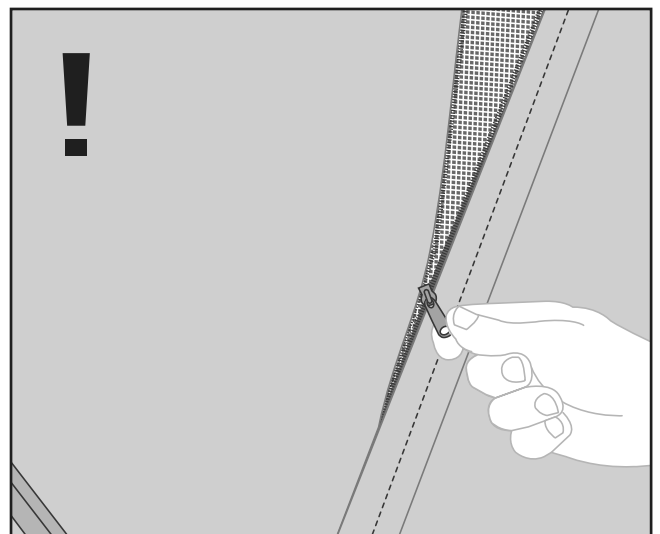
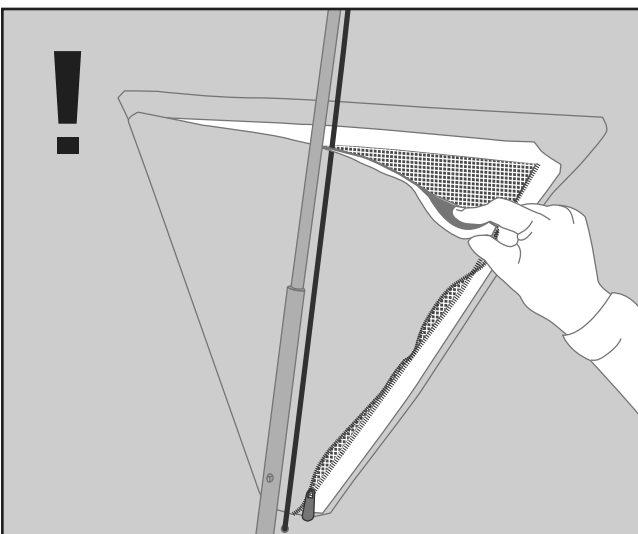
15

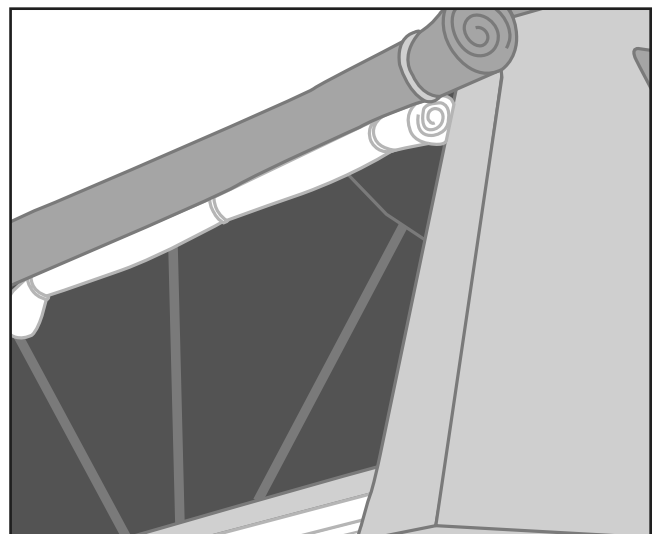
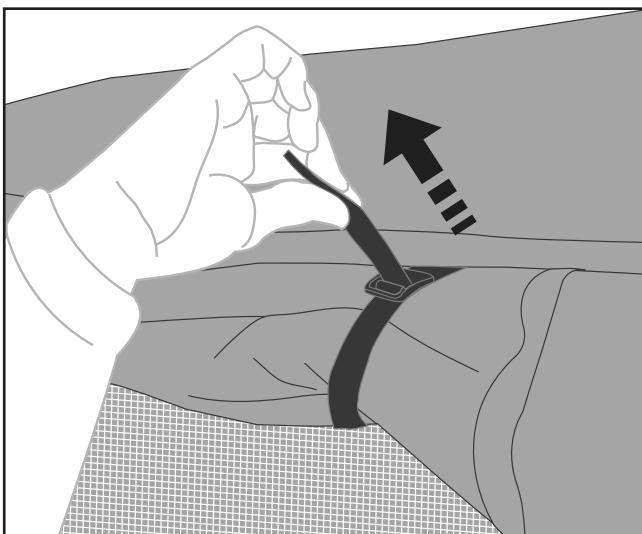
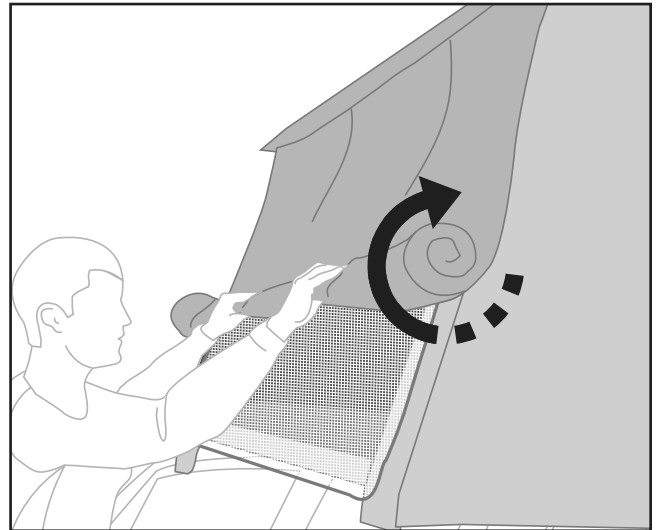
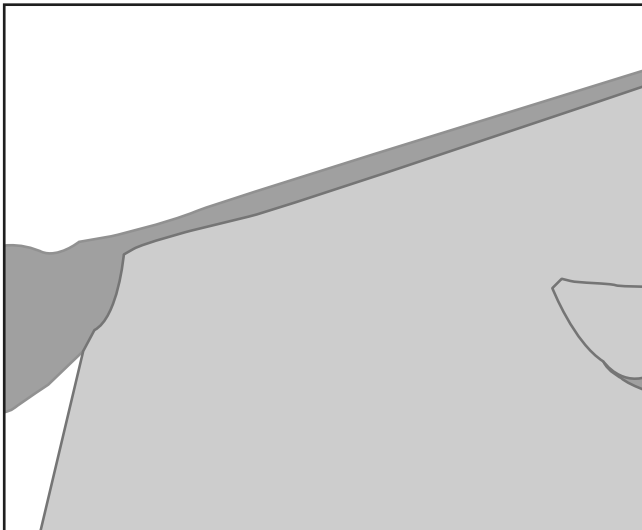
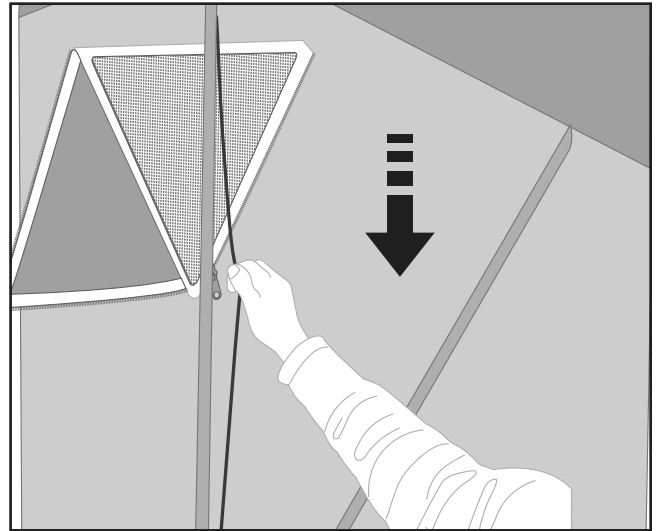
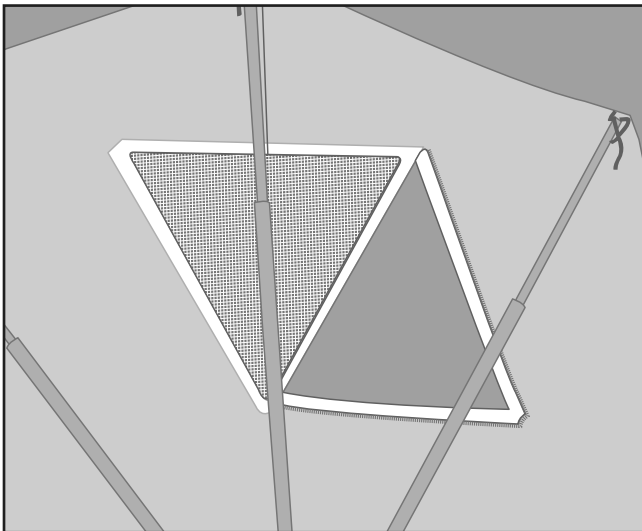


16



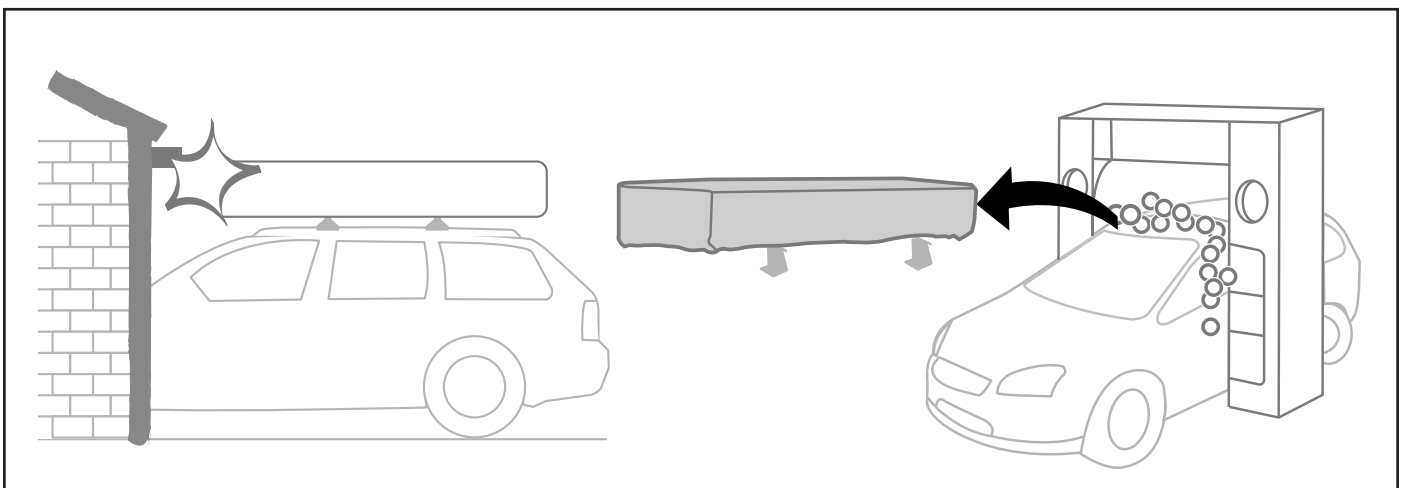
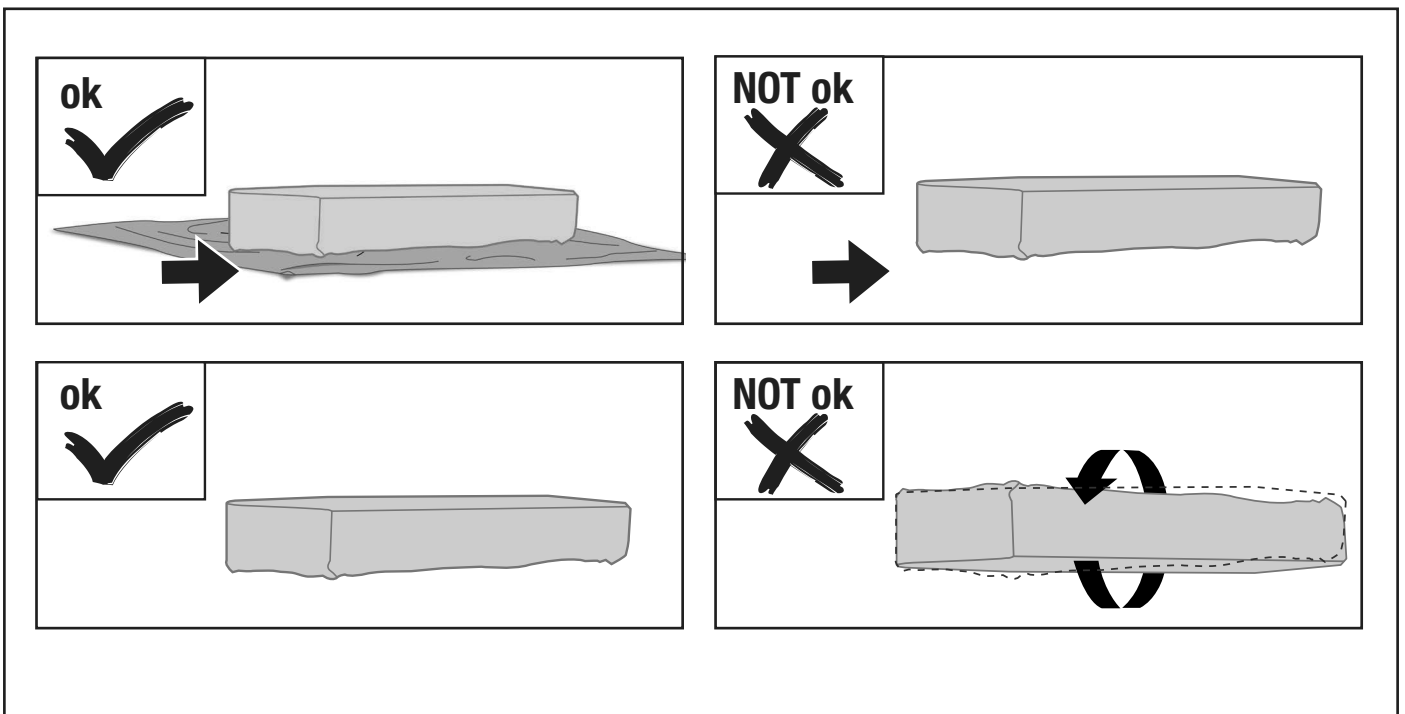
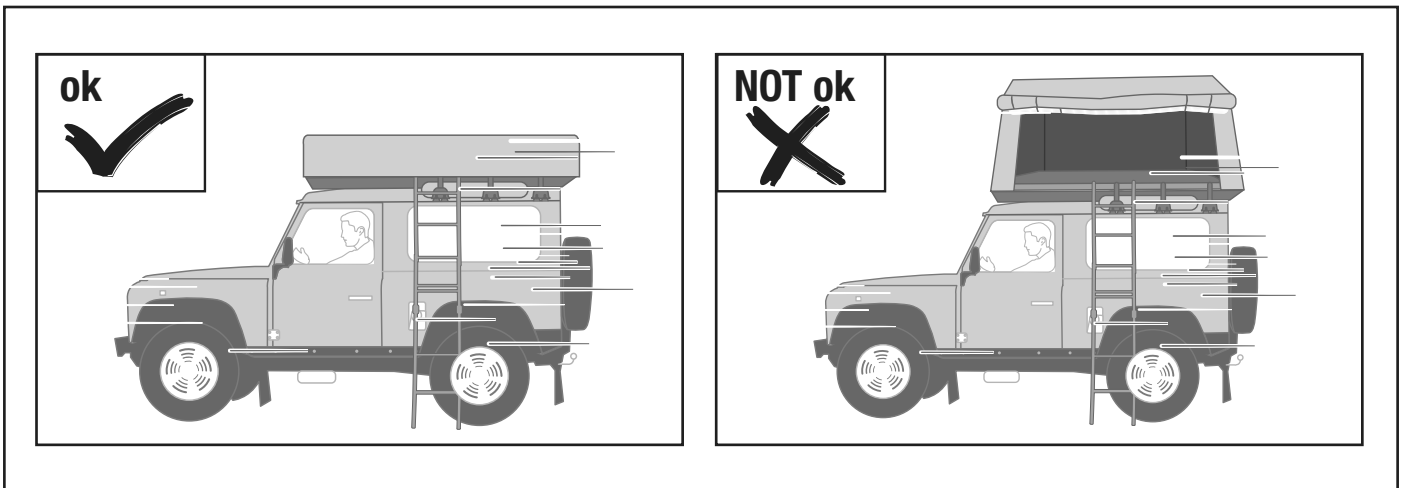
HANDLE WITH CARE

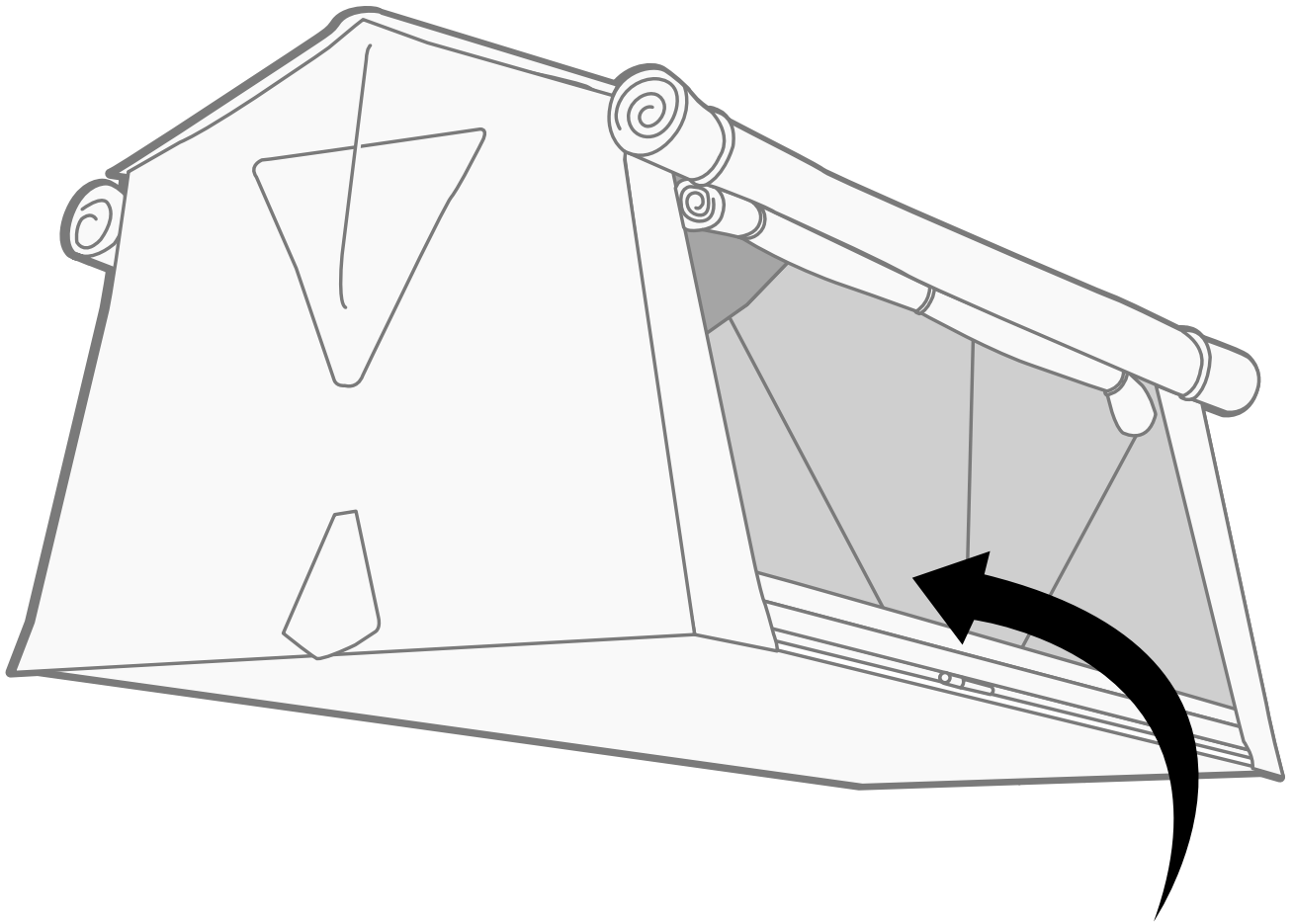




WARNINGS

Avvertenze • Avertissement • Warnungen








AUTOHOME[®] produced by
Zifer Italia Srl
Viale Risorgimento, 23
46017 Rivarolo Mantovano
(Mantova) Italy
Tel. +39 0376 99590
+39 0376 958164
Fax +39 0376 958088

AUTOHOME-OFFICIAL.COM
info@autohome.it

 MADE IN ITALY

 FREE RAIDER Autohome-Club



PRODUCT QUALITY CERTIFICATION