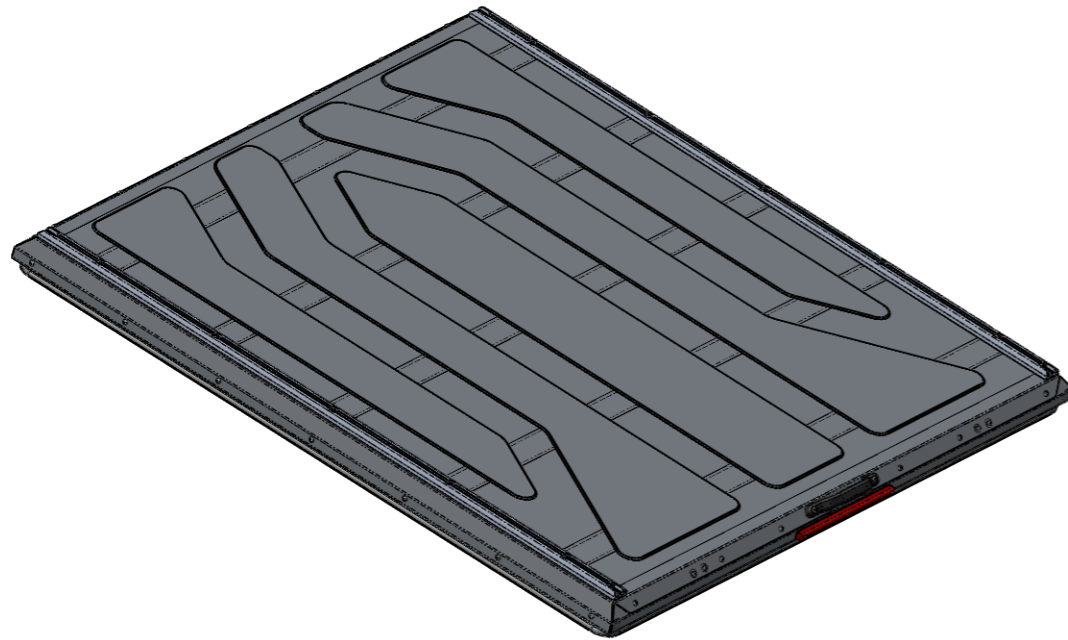
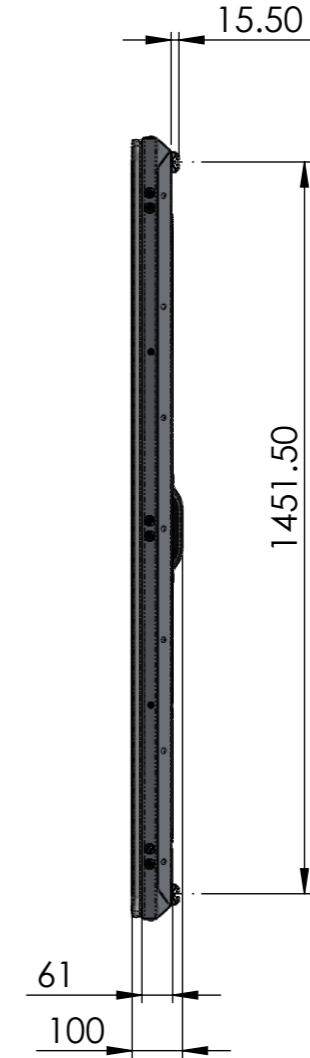
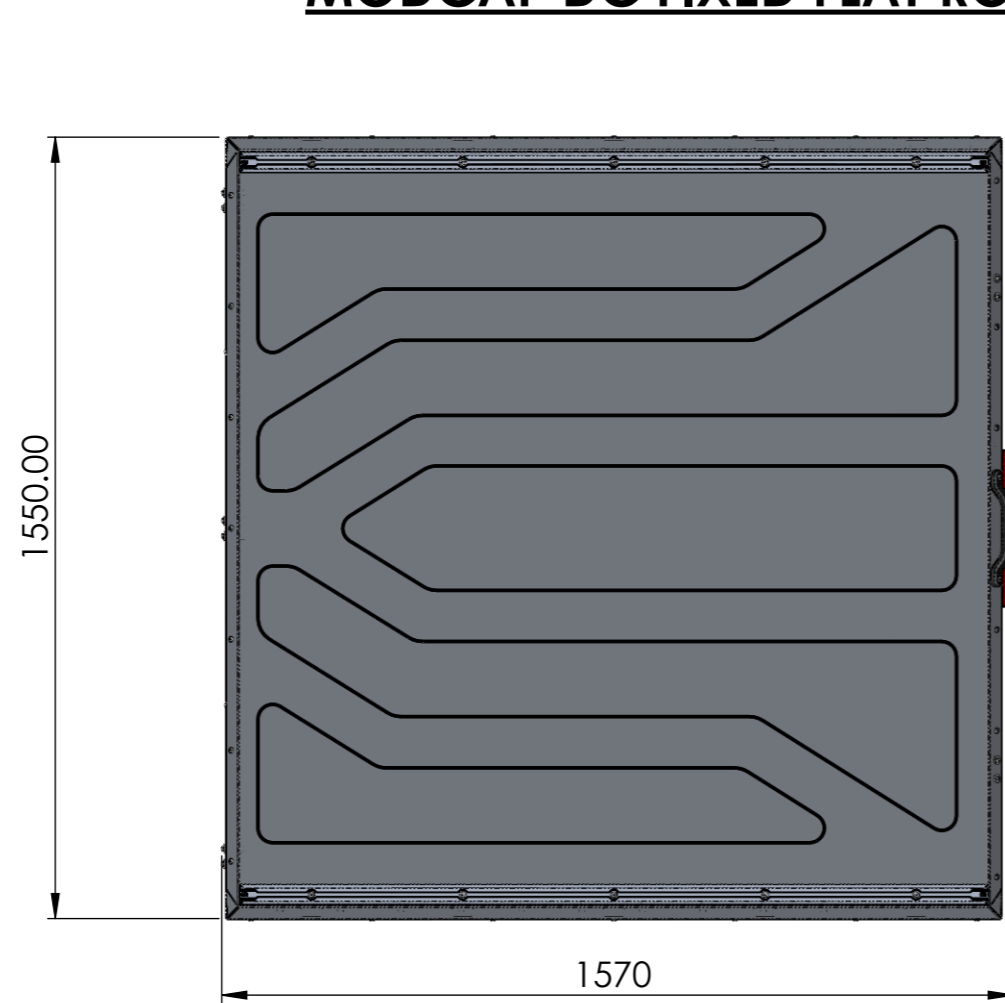


# GENERAL ARRANGEMENT MODCAP DC FIXED FLAT ROOF

|           |            |     |
|-----------|------------|-----|
| ASSY INFO | MASS (kg): |     |
|           | BONDED:    | Y   |
|           | FASTENED:  | Y   |
| FINISH    | WELDED:    | Y   |
|           | TUMBLED:   |     |
|           | BRUSHED:   |     |
|           | POWDER:    |     |
|           | SPRAY:     |     |
|           | COLOUR:    | N/A |



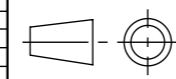
**APPROXIMATE WEIGHT: 30kg**

| TOLERANCES TO ASSUME<br>UNLESS INDICATED OTHERWISE |            |           |
|--|------------|-----------|
| NOM DIMENSION                                      | RANGE (mm) | TOLERANCE |
| 0.50   | - 3.00     | ± 0.10    |
| 3.00   | - 6.00     | ± 0.15    |
| 6.00   | - 30       | ± 0.20    |
| 30   | - 120      | ± 0.30    |
| 120  | - 400      | ± 0.50    |
| 400  | - 1000     | ± 1.00    |
| 1000   | - 1000<    | ± 2.00    |

|   |                     |
|---|---------------------|
| DESCRIPTION:<br><b>CC2 BO DC FLAT ROOF TOP</b>  |                     |
| PROJECT:<br><b>CC2-A-BO-DC-FR-FXD</b>   |                     |
| DRAWN BY:<br>System Administrator   | DATE:<br>2024-03-07 |
| THE INFORMATION CONTAINED WITHIN THIS DOCUMENT<br>IS THE INTELLECTUAL PROPERTY OF ALU-CAB (PTY) LTD |                     |

|                |                 |
|----------------|-----------------|
| SHEET:<br>A3   | SHEET<br>1 of 1 |
| SCALE:<br>1:15 |                 |

|   |           |
|---|-----------|
| <br>ULTIMATE OVERLAND PRODUCTS | REV       |
|   | <b>00</b> |



|   |                  |
|---|------------------|
| DRAWING NO.<br><b>CC2-A-BO-DC-FR-A01-GA</b> | REV<br><b>00</b> |
|---|------------------|