

RHINO-RACK®

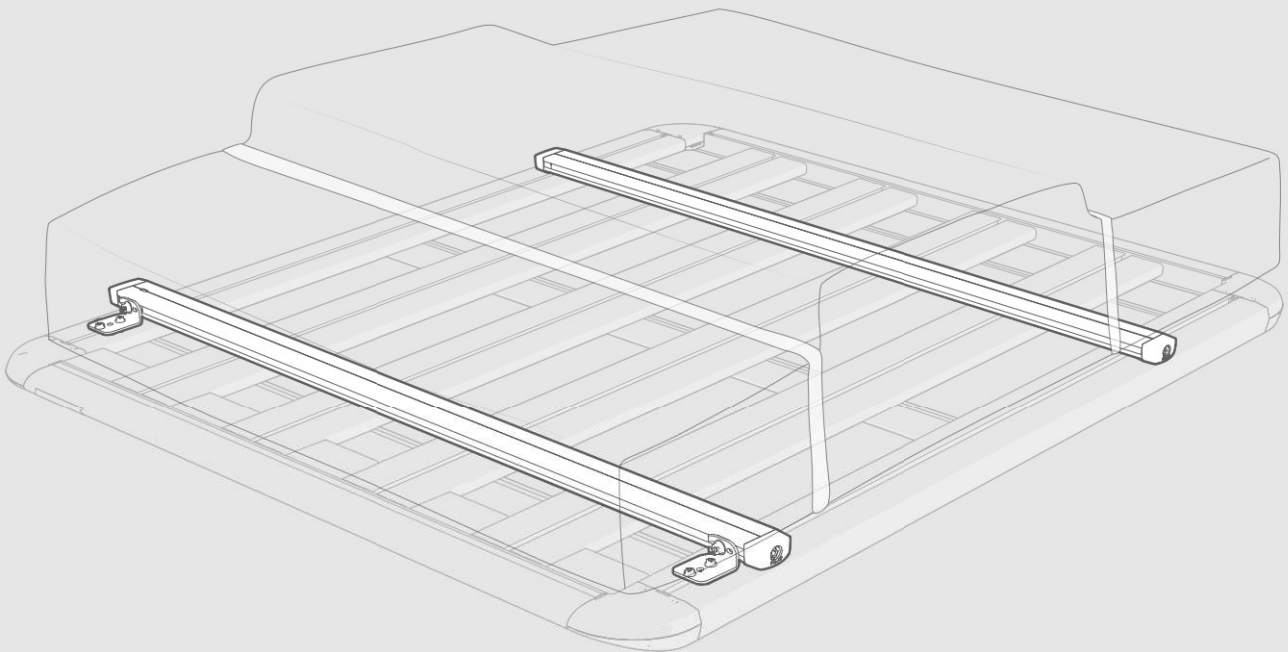
Rooftop Tent Underbar And Brackets Add On Kit

61014

Important:

1. Check the Rhino-Rack website to ensure you have the latest issue of these instructions.
2. Please refer to your fitting instruction to ensure that the roof racks are installed in the correct locations.
3. Check the contents of kit before commencing fitment and report any discrepancies.
4. Place these instructions in the vehicle's glove box after installation is complete.
5. These instructions must be followed for warranty to be upheld.

Fit Time: 30 mins



Thank you for choosing Rhino-Rack!



WELCOME TO THE HERD.

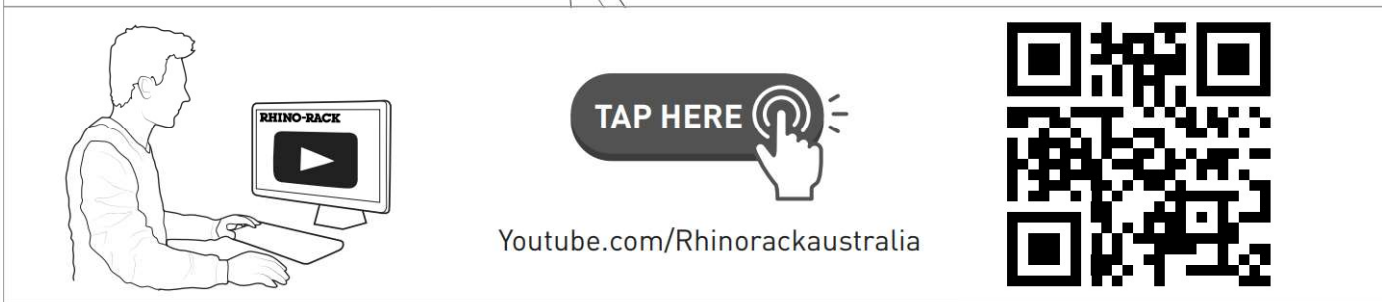
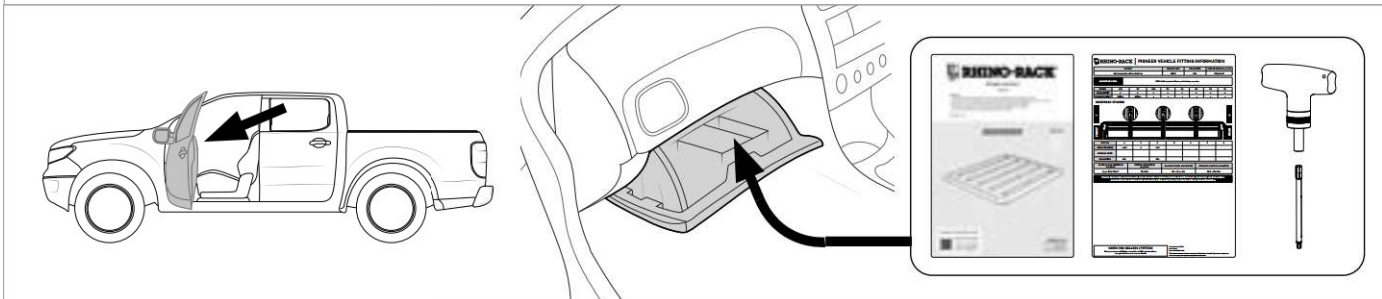
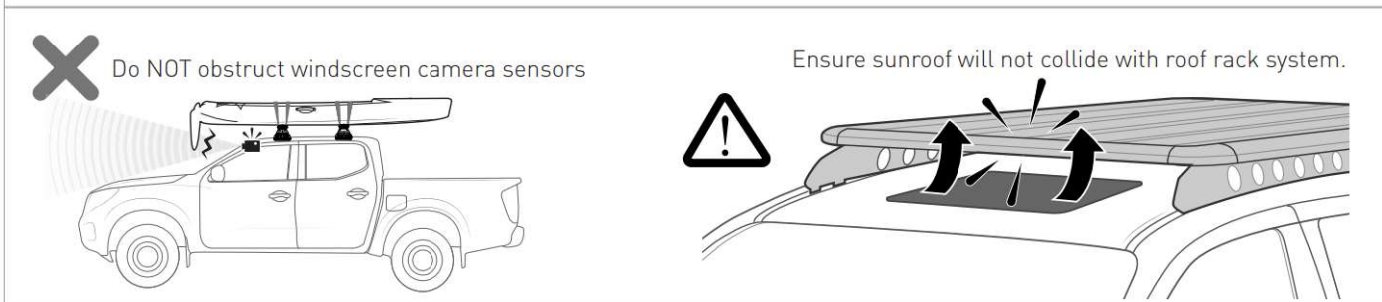
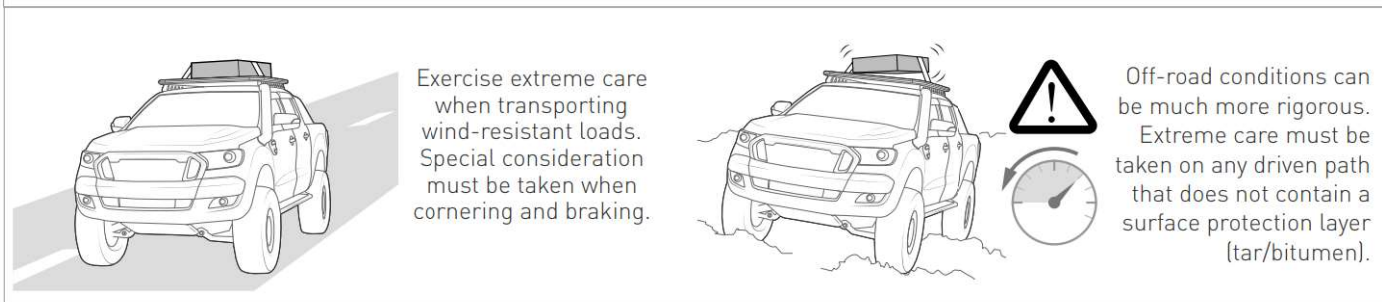
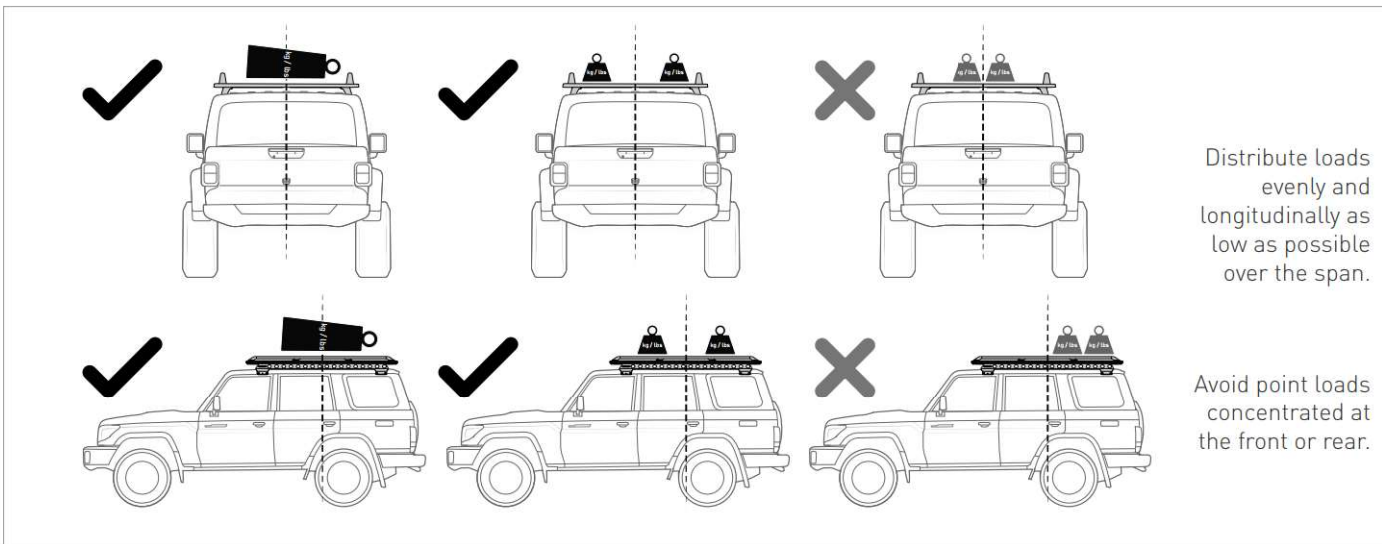
For peace of mind register your product by heading to rhinorack.com/register

RHINORACK.COM

Doc. No: 520-RFI-00152

Issue No: 04

Issue Date: 31/01/2024

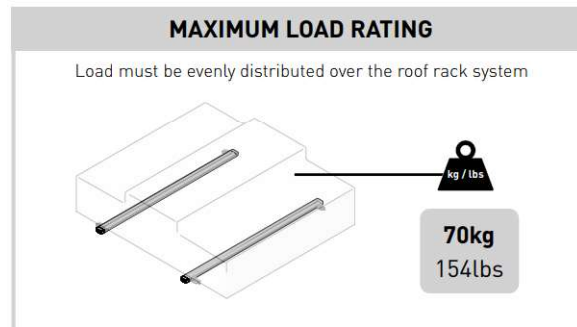


Carrying Capacity

Check your vehicle owners hand book for vehicle maximum carrying capacity.

Please ensure you use the vehicle manufacturer's maximum roof allowance if it is lower than the figure listed in this instruction.

IMPORTANT: Ensure your vehicle roof has a load rating higher than the weight of both the tent and any mounted accessories, and a static load limit that can support the tent in use.



Warning

- Do not attempt to fit the accessory to your vehicle unless you fully understand these fitting instructions. Please direct any questions regarding fitting to the dealer from where the product was purchased.
- Off-road conditions can be much more rigorous. Extreme care must be taken in off road conditions.
- Accessory must be removed when vehicle is put through an automatic car wash.
- Always ensure you fasten your load securely.
- Ensure product is locked before driving.
- Use only non stretch fastening ropes or straps.

In service maintenance checks

- All bolt connections should be checked after driving a short distance when you first install your roof racks.
- All bolted connections should be checked again at regular intervals (weekly is recommended, depending on road conditions, usage, loads and distances travelled).
- All bolted connections should be checked each time they are re-fitted.
- Off-road conditions are more rigorous. Check all bolted connections and your load more regularly.
- Ensure that your vehicle manufacturer's GVM, and gross axle weights are not exceeded (refer to vehicle owner's manual).

Torque Settings:

Unless stated otherwise in these instructions, all fasteners should be set to the following torque settings:



Sensitivity to Crosswinds, Behaviour in Curves and Braking.

Remember that the handling characteristics of your vehicle will change when transporting a load on the roof.

Exercise extreme care when transporting wind-resisting loads; special consideration must be taken into account when braking.

Note for Dealers and Fitters

It is your responsibility to ensure these fitting instructions are given to the end user or client. These instructions remain the property of Rhino-Rack Australia Pty. Ltd. and may not be used or changed for any other purpose than intended.

Warranty

We love creating our products for you and hope you love using them too.

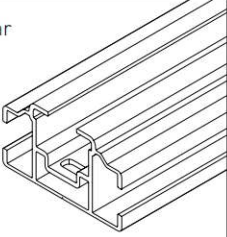
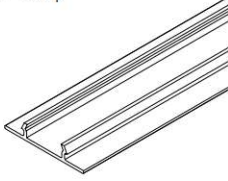
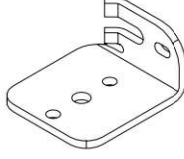
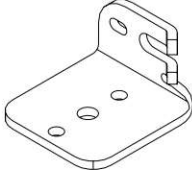
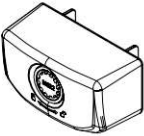
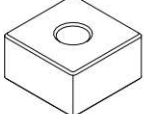
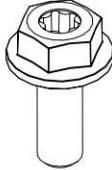
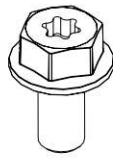
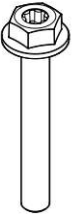
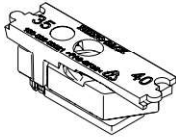
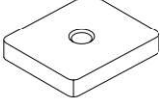
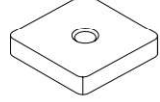
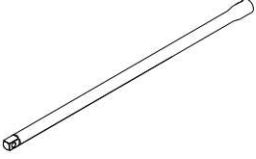


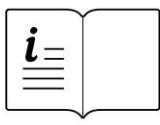
For complete peace of mind, register your product at www.rhinorack.com/warranty.

This way, we can quickly help you with any future approved fitment warranty claims.

And remember – never to forget to **Make Space For Adventure!**



Parts List

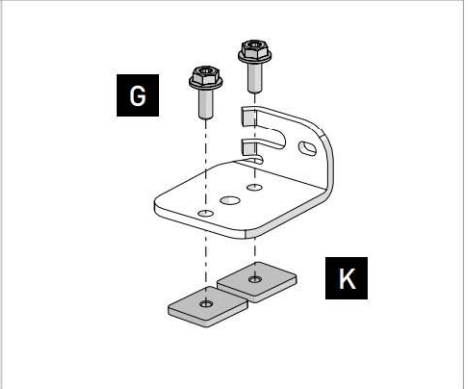
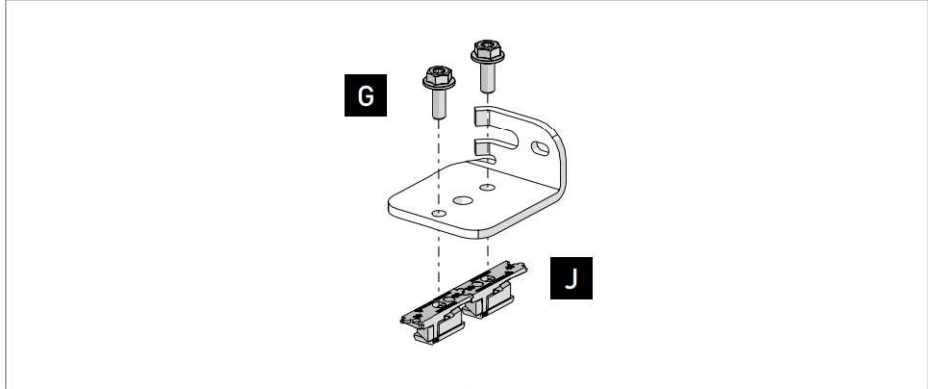
<p>Underbar</p>  <p>A x2</p>	<p>Underbar Strip</p>  <p>B x2</p>	<p>LHS Roof Top Tent Side Mount Brackets</p>  <p>C x2</p>	<p>RHS Roof Top Tent Side Mount Brackets</p>  <p>D x2</p>
<p>Underbar End Cap</p>  <p>E x4</p>	<p>20 x 20 M8 Channel Nut</p>  <p>F x4</p>	<p>M6 x 16MM Hex Head Flanged Bolt</p>  <p>G x8</p>	<p>M8 x 16MM Hex Head Flanged Bolt</p>  <p>H x4</p>
<p>M6 x 50 Torx Hex Head Screw</p>  <p>I x4</p>	<p>Zwifloc Nut</p>  <p>J x8</p>	<p>24 x 21mm x 4mm M6 Nut</p>  <p>K x8</p>	<p>24 x 24mm x 4mm M6 Nut</p>  <p>L x4</p>
<p>1/4" Driver - 250mm Socket Extension</p>  <p>M x1</p>	<p>1/4" Driver - 13mm Socket</p>  <p>N x1</p>	<p>Key</p>  <p>O x1</p>	<p>Instructions</p>  <p>P x1</p>

TOOL REQUIRED

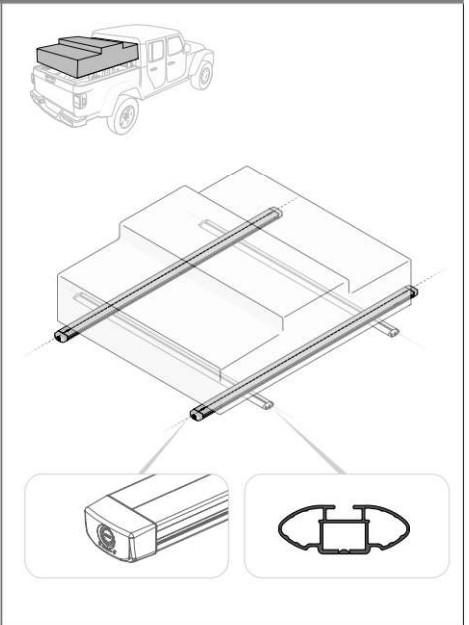
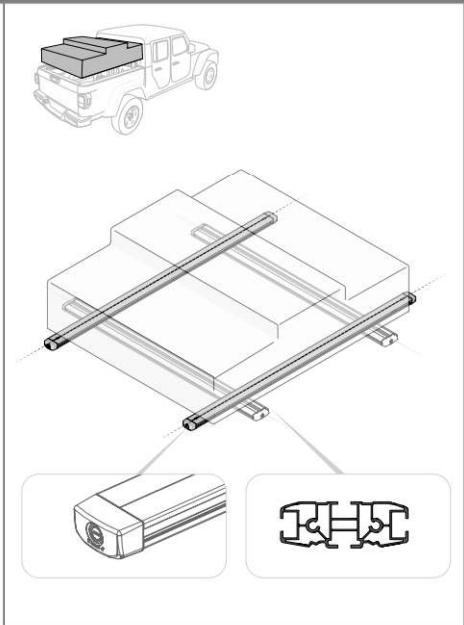
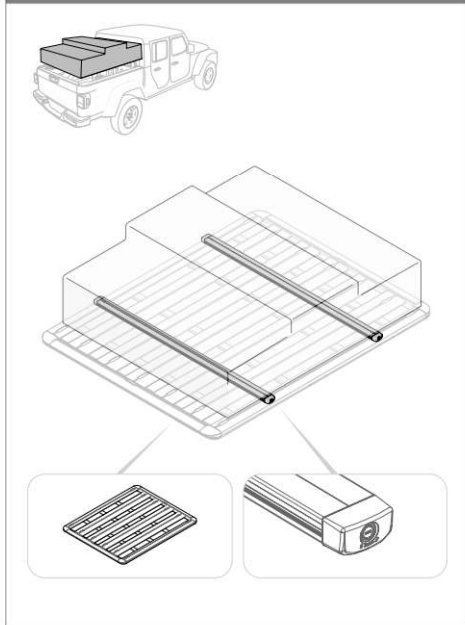
- T1 - 13mm Open Ended Spanner
- T2 - Marker
- T3 - Drill with 3mm Bit
- T4 - Drill with 7mm Bit
- T5 - Tape Measure
- T6 - 2 x Step Ladders
- T7 - 1/4" Socket Ratchet
- T8 - Vacuum
- T9 - Socket Set And Socket Ratchet

PIONEER PLATFORM	RECONN DECK BAR	VORTEX BAR
		

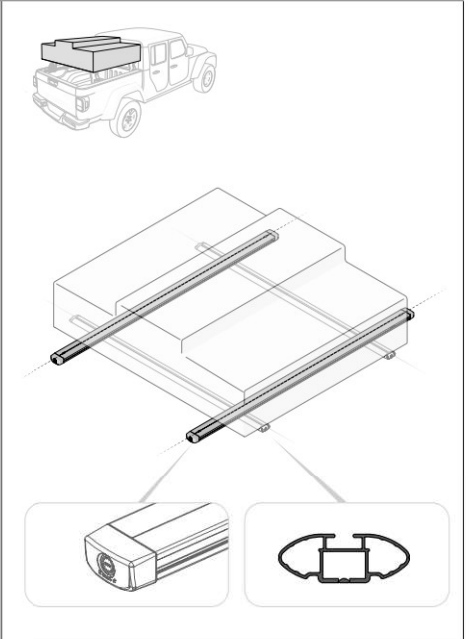
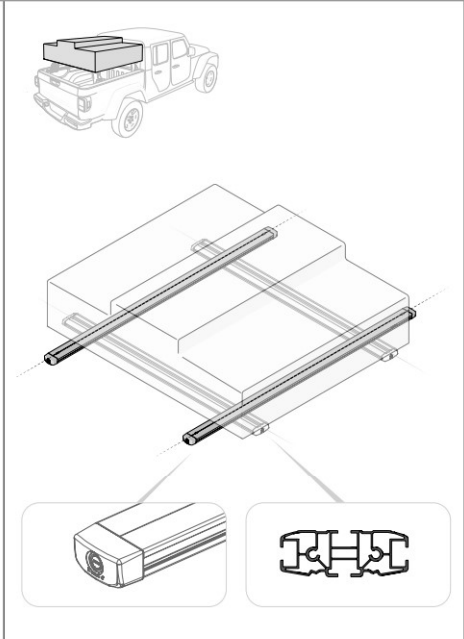
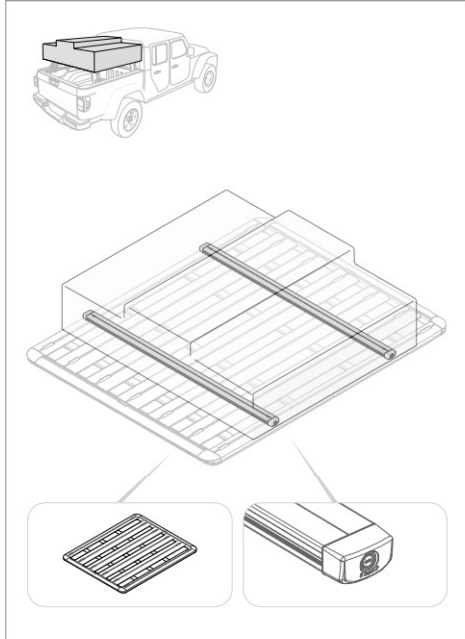
BRACKET MOUNTING HARDWARE



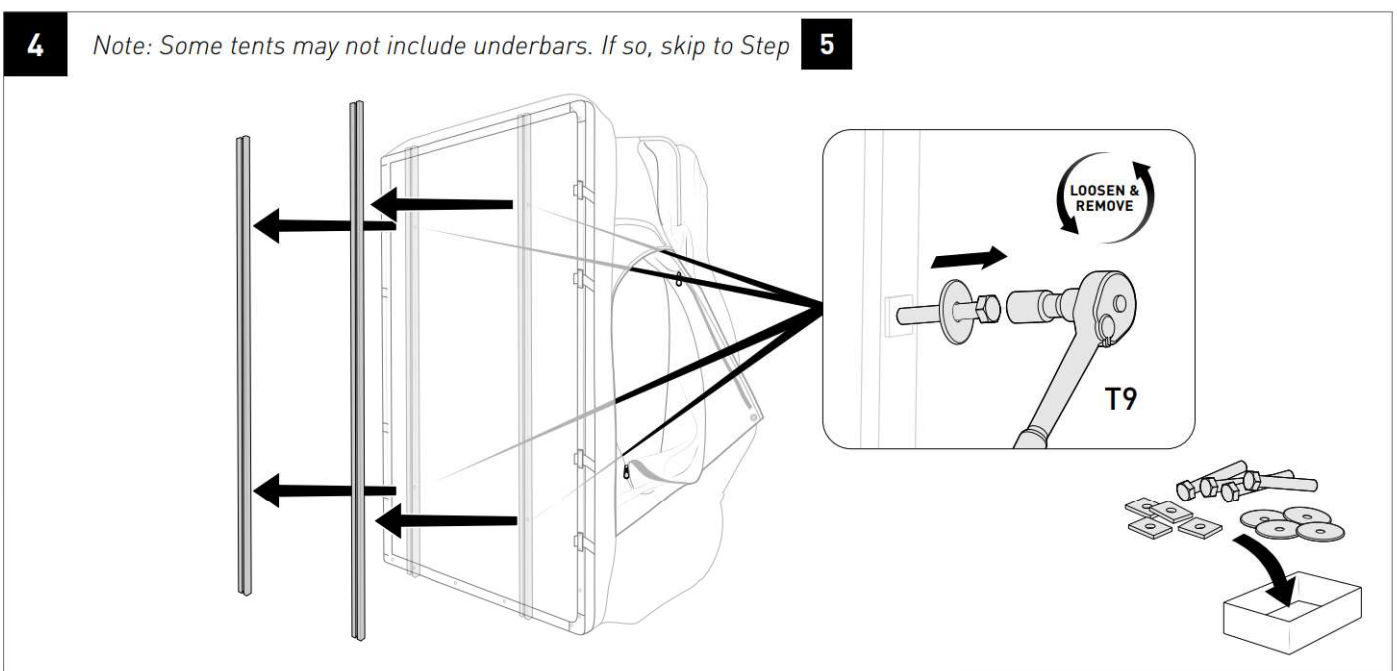
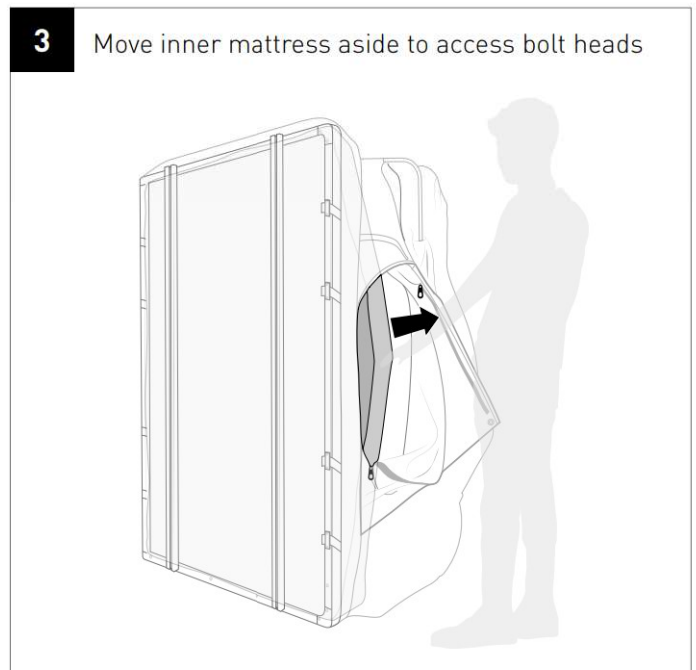
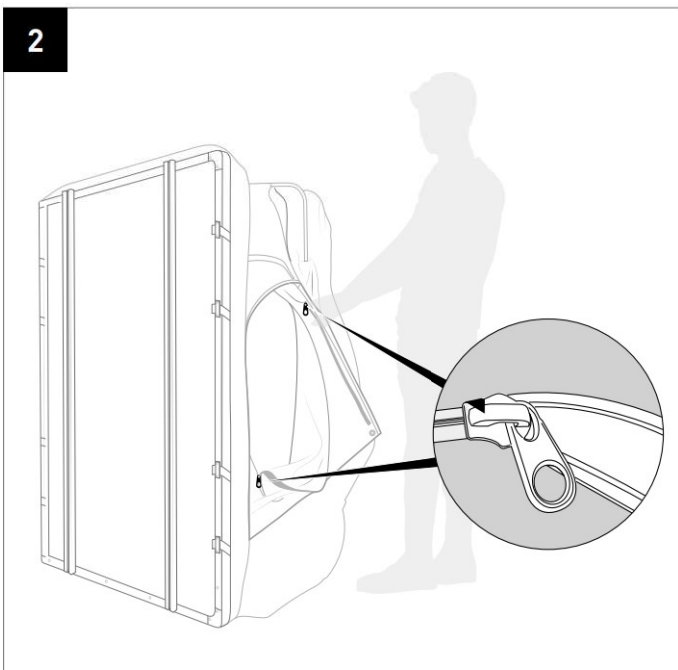
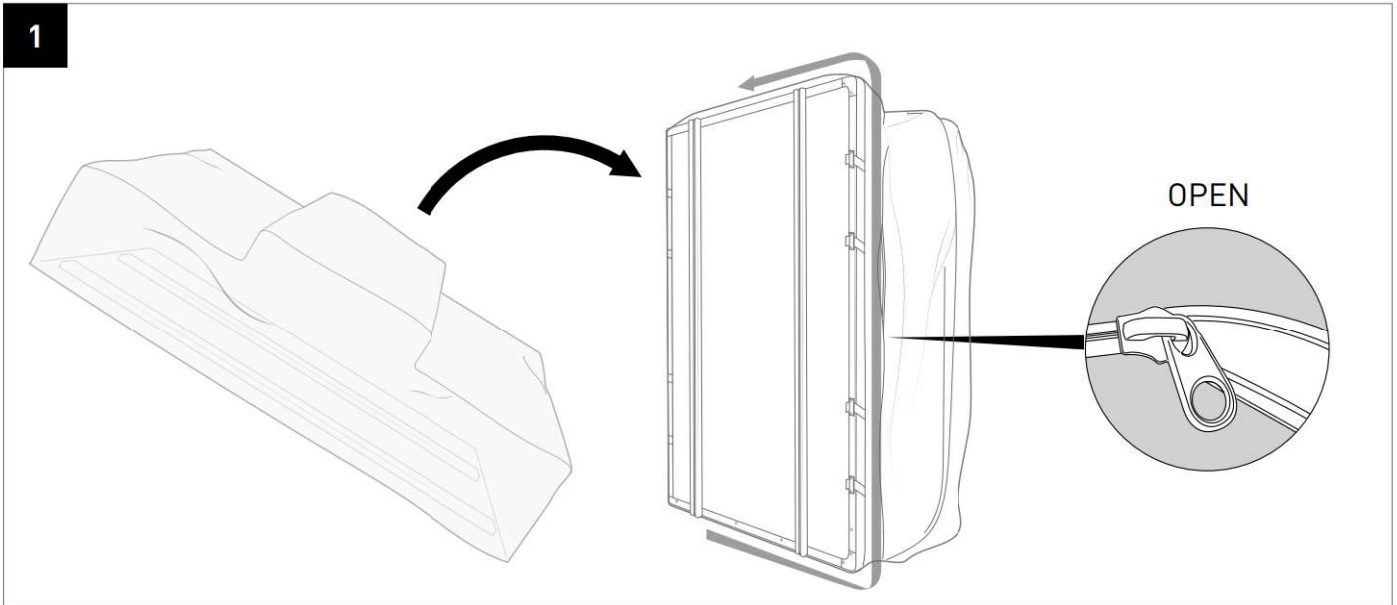
SIDE OPENING TENT: UNDERBAR MOUNTING ORIENTATION



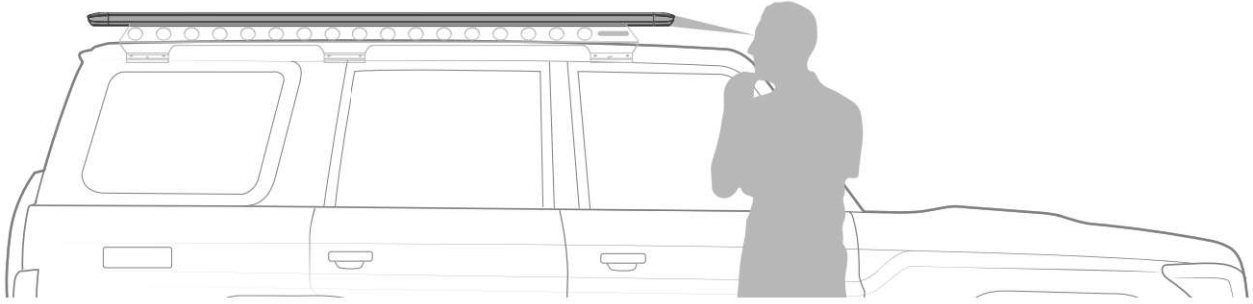
REAR OPENING TENT: UNDERBAR MOUNTING ORIENTATION



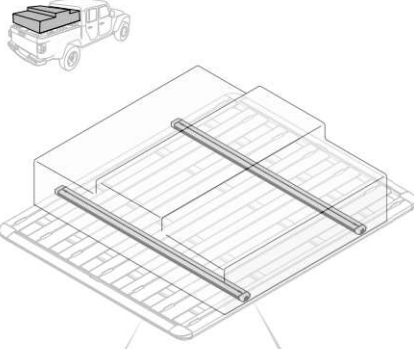
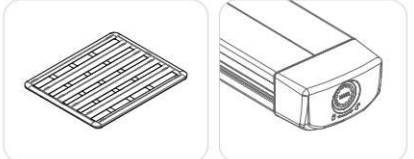
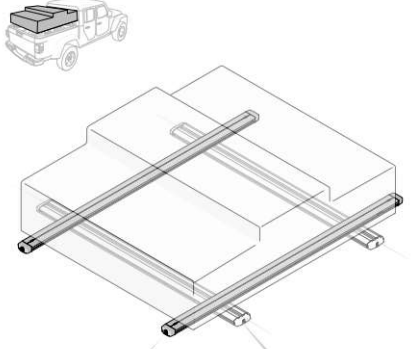
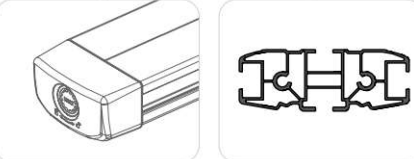
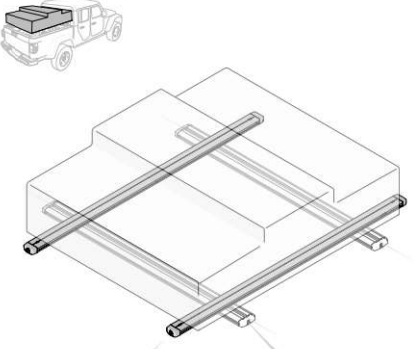
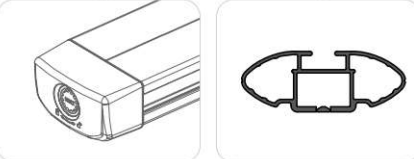
REMOVE EXISTING TENT UNDERBARS



5 Refer to the Page 5 table to plan your installation



Below instructions steps is for side opening rooftop tents.


PIONEER PLATFORM	RECONN DECK BAR	VORTEX BAR
  <p data-bbox="183 1220 486 1276">Proceed to Step 6b</p>	  <p data-bbox="654 1220 957 1276">Proceed to Step 6b</p>	  <p data-bbox="1101 1220 1404 1276">Proceed to Step 6a</p>


INSTALL INCLUDED UNDERBARS

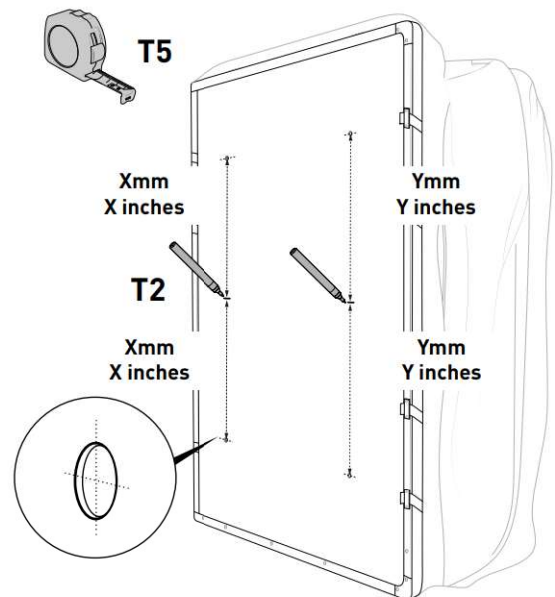
6a FOR CROSSBARS (For Platforms, Skip to Step 6b)

Find the centre of the base between the two existing holes and record the centre to the hole distance

T2

X mm / X inches = _____ 

Y mm / Y inches = _____ 



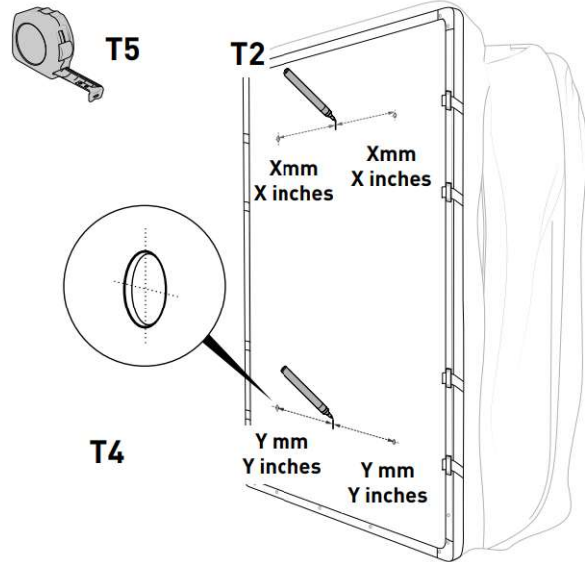
Proceed to Step **7**

6b FOR PLATFORMS

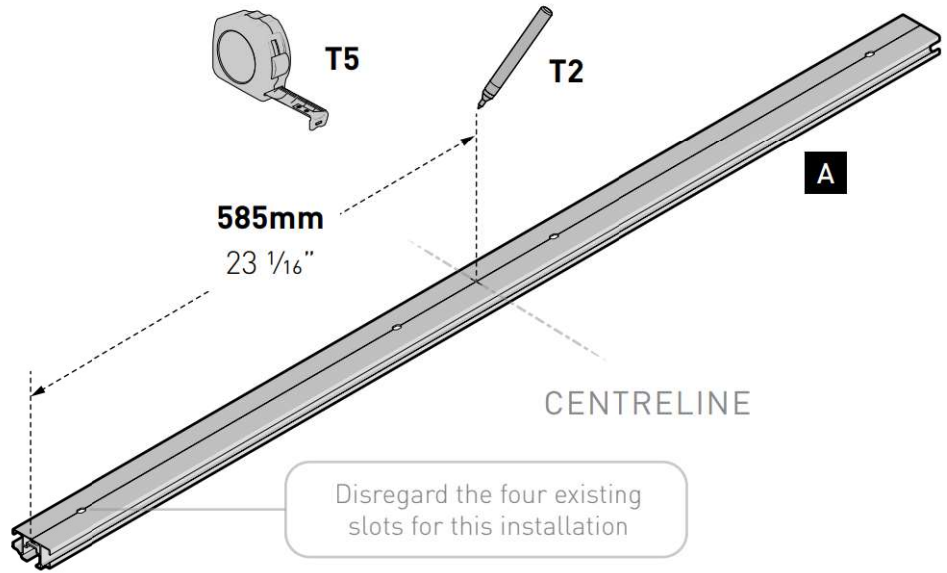
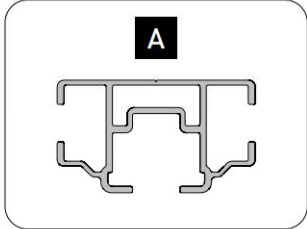
Find the centre of the base between the two existing holes and record the centre to the hole distance

X mm / X inches = _____

Y mm / Y inches = _____

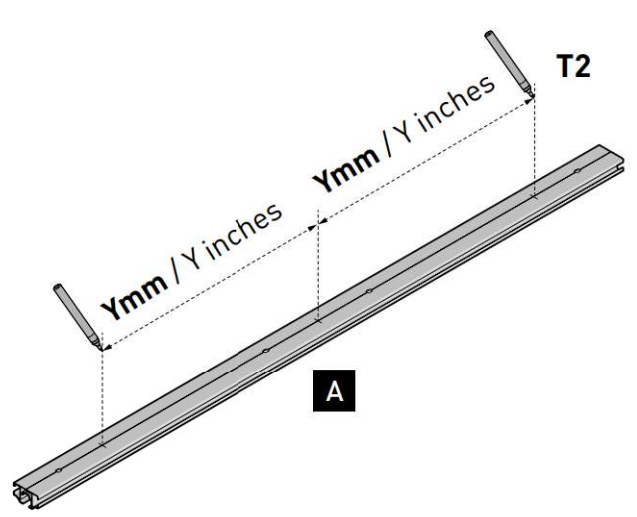
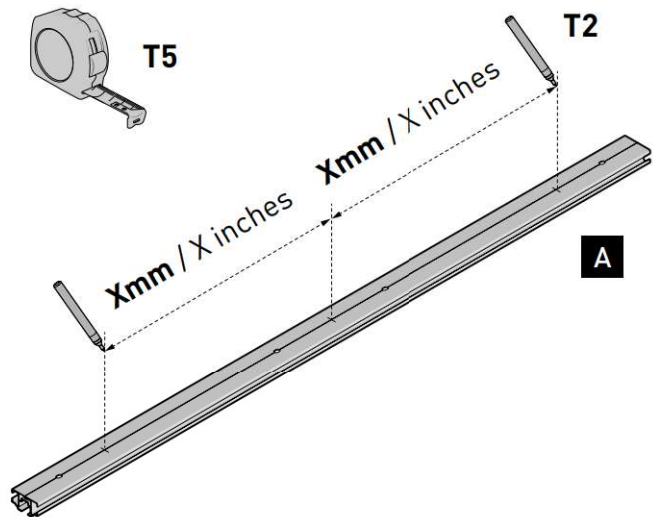


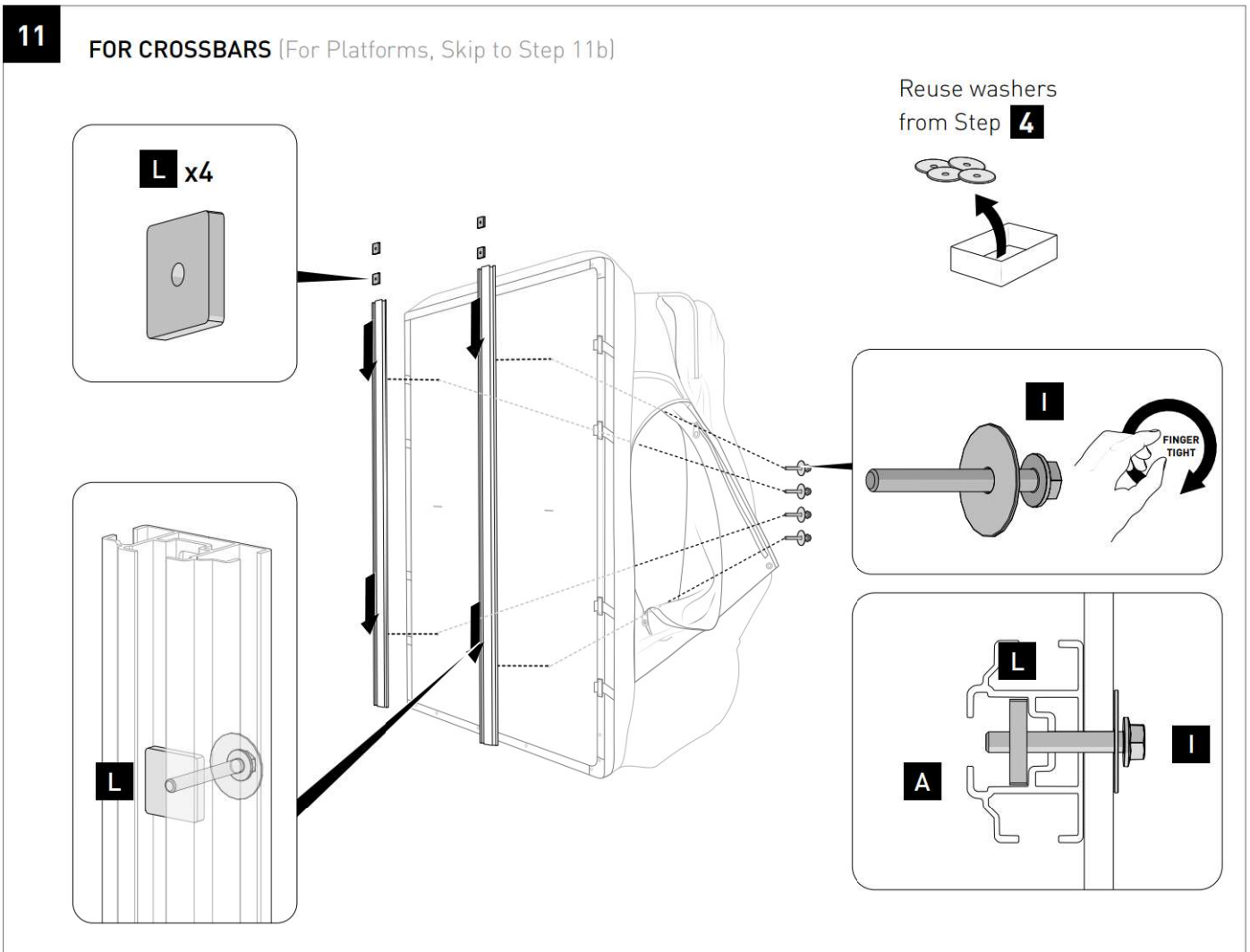
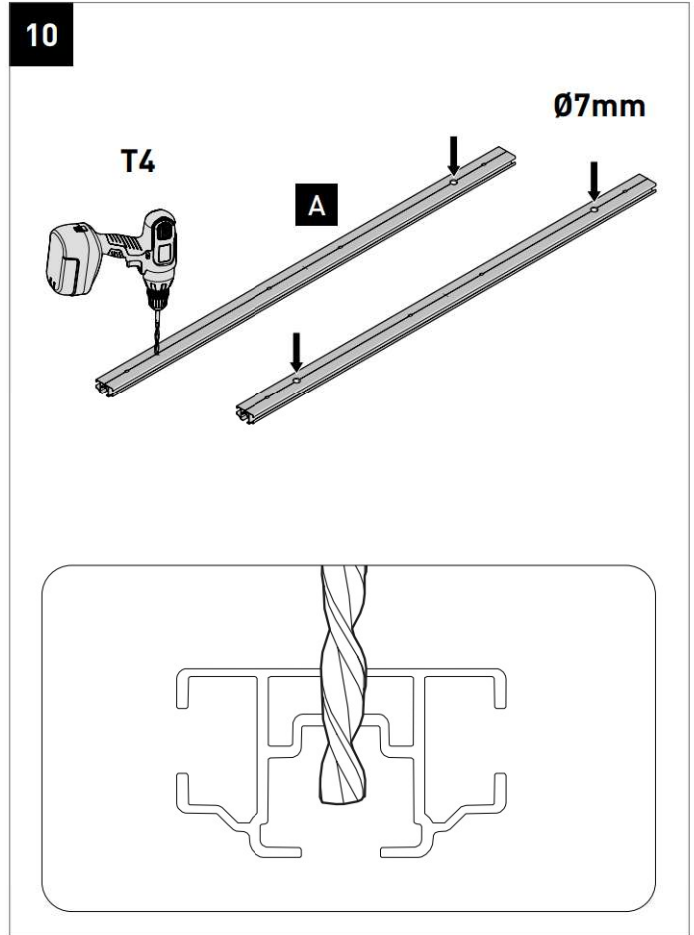
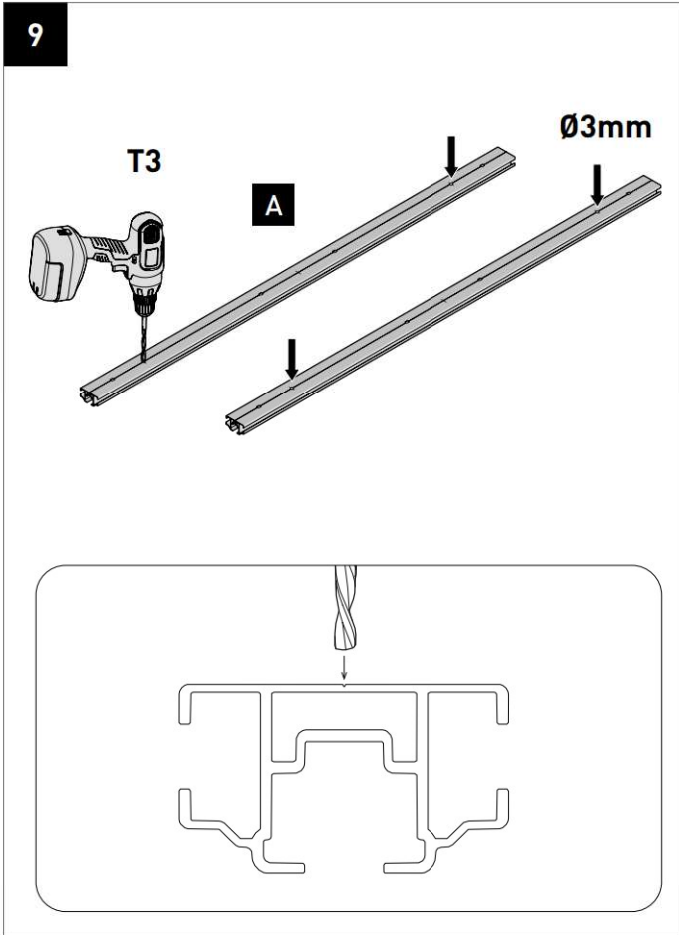
7



8

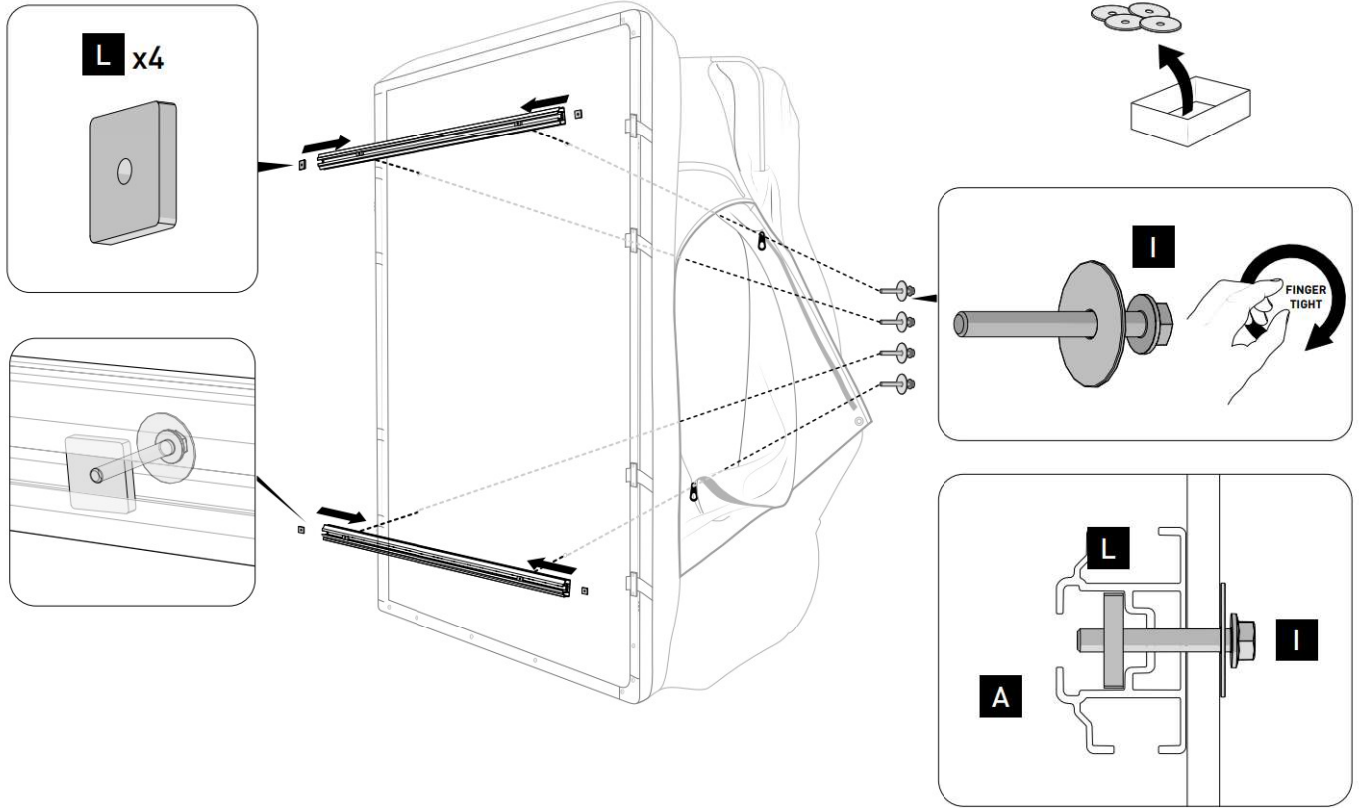
Refer to Step 6 for measurements to match existing holes.





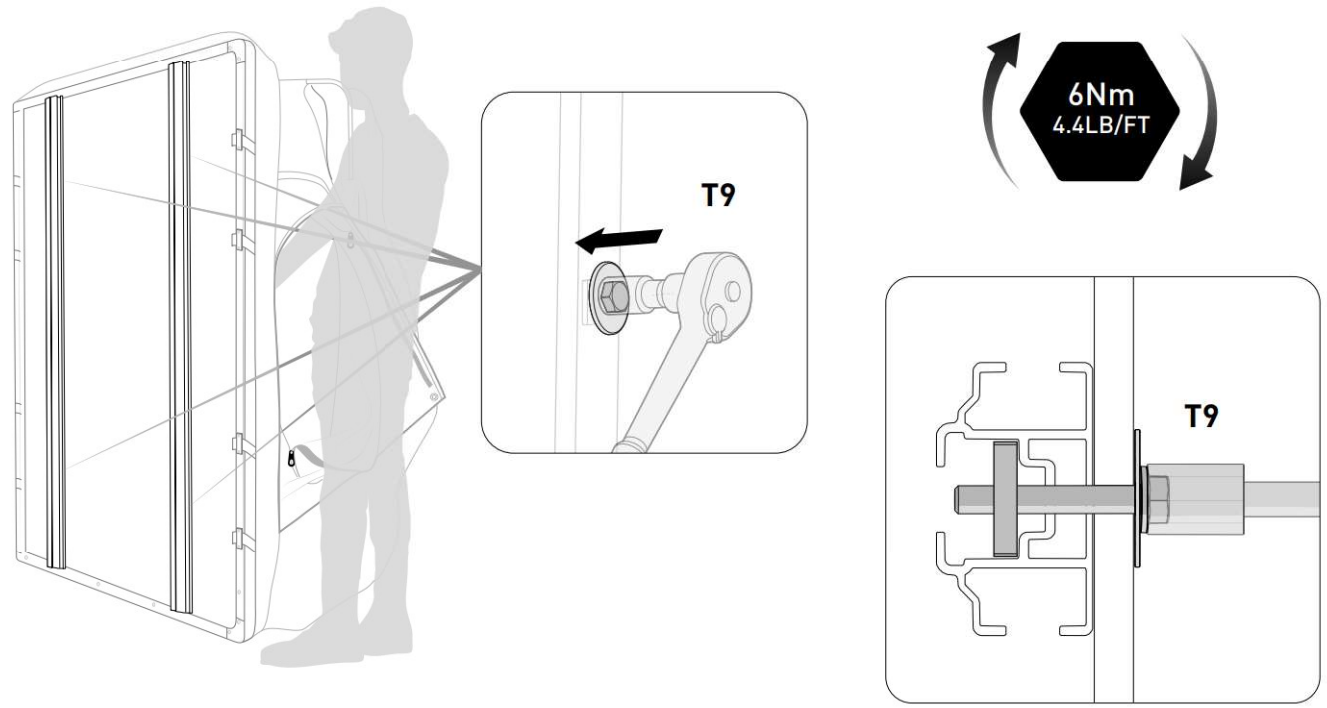
11b FOR PLATFORMS

Reuse washers from Step **4**

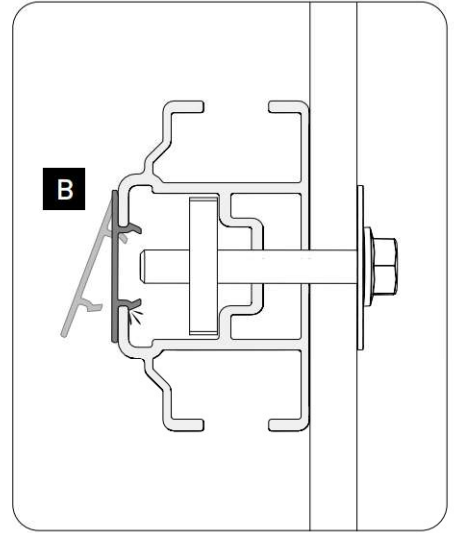
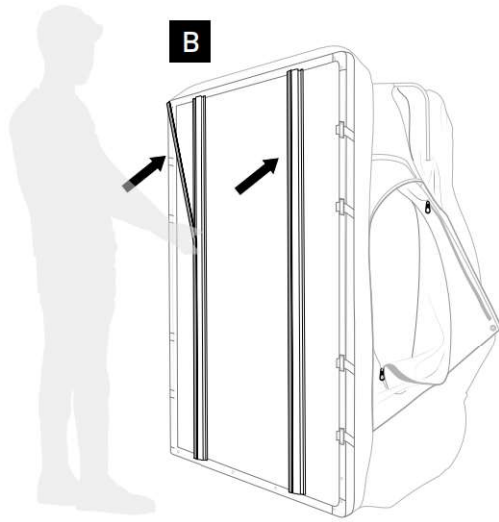


12 Example for crossbars

6Nm
4.4LB/FT



13



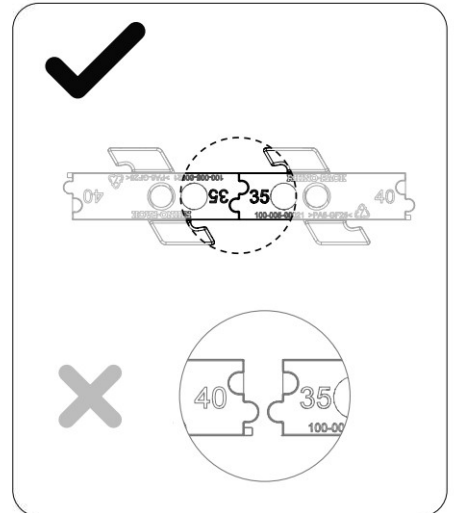
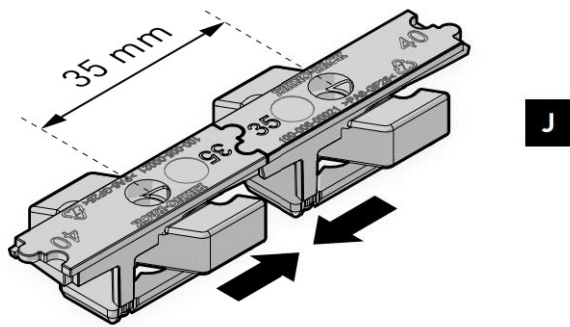
MOUNT BRACKET INSTALLATION

14

35-35

35MM SPACING

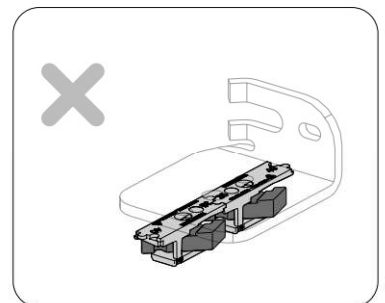
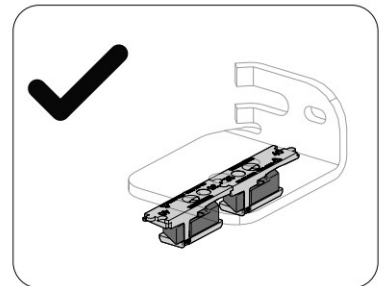
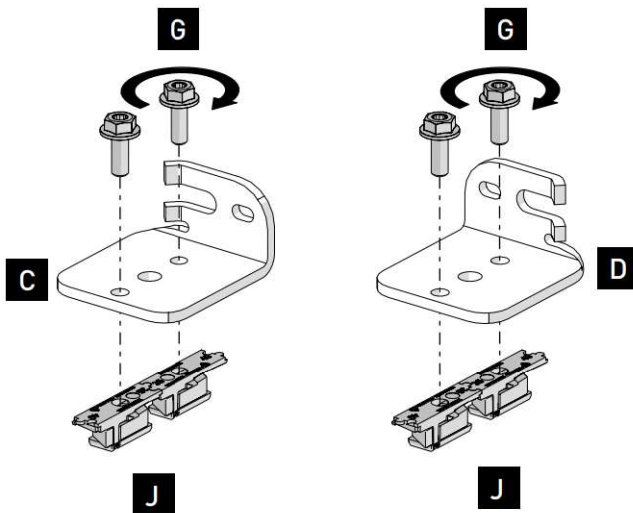
x4



15

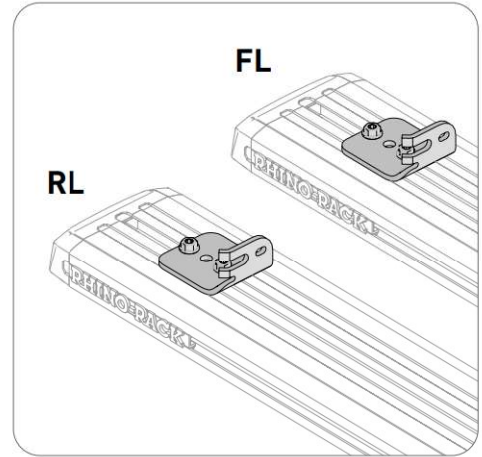
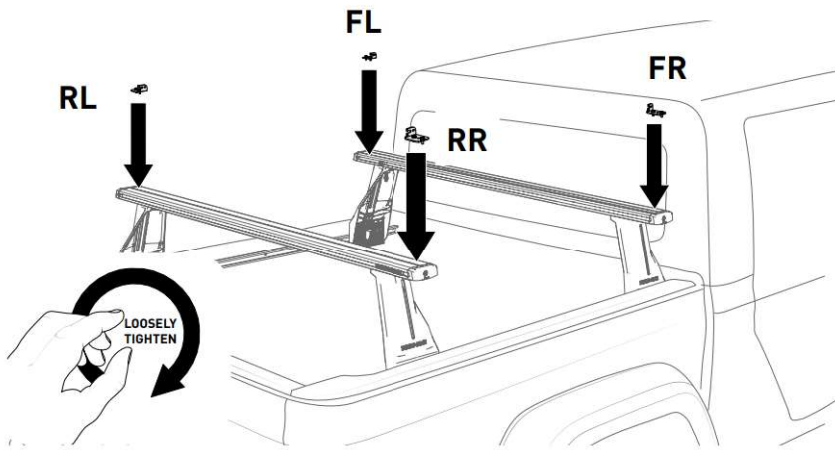
For VA Bars, refer to the Bracket Mounting Hardware table on Page 5 for the required nut.

x2

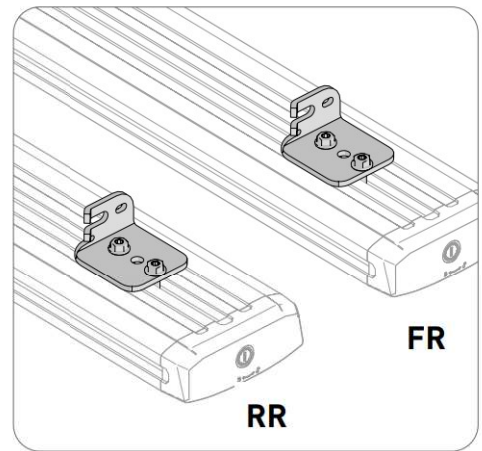
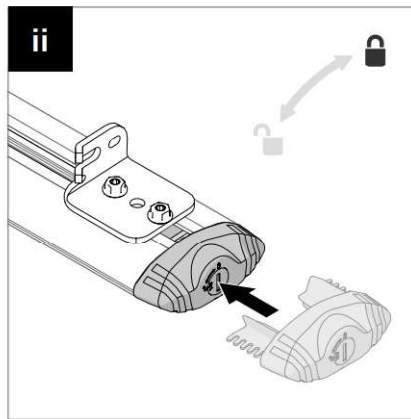
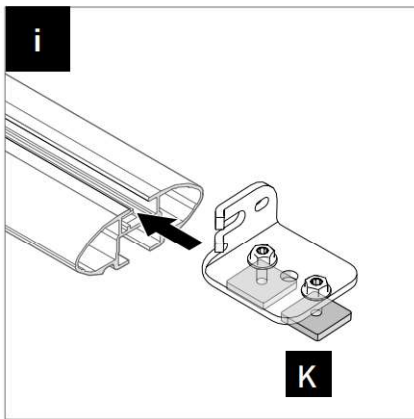


16 FOR CROSSBARS (For Platforms, Skip to Step 18)

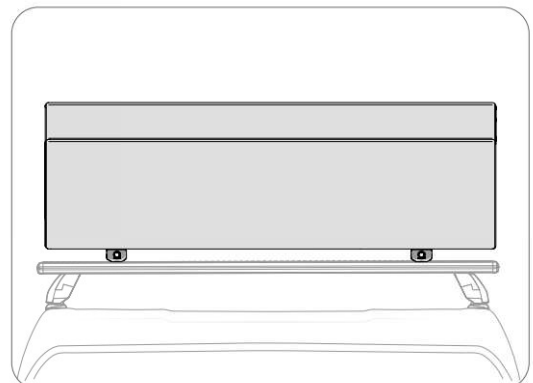
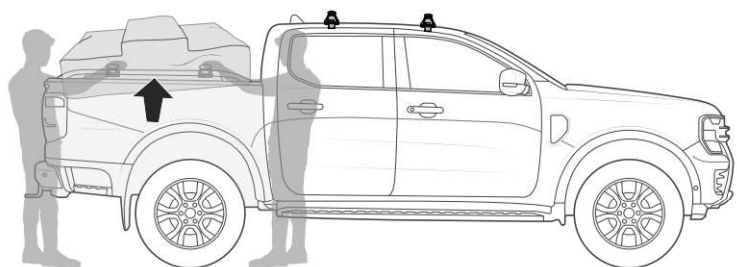
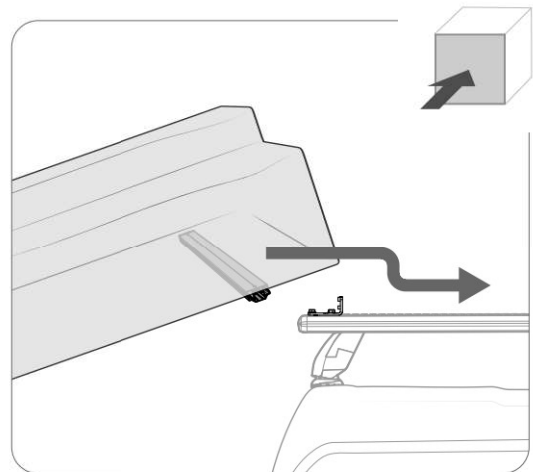
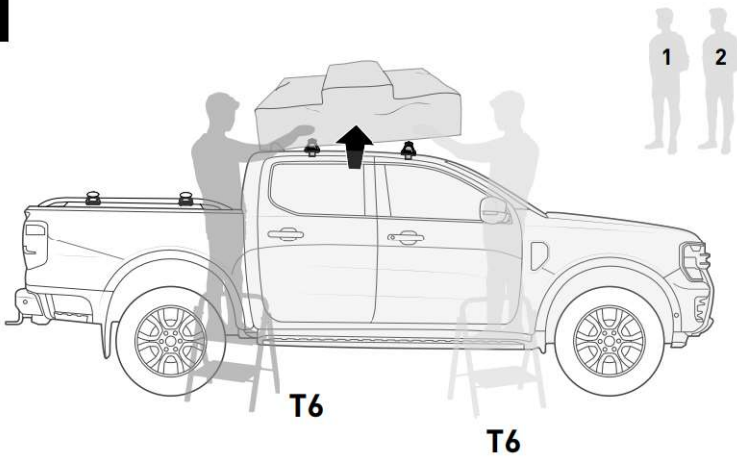
Reconn-Deck Bars (Refer to page 5 for the required hardware)



VA Bars

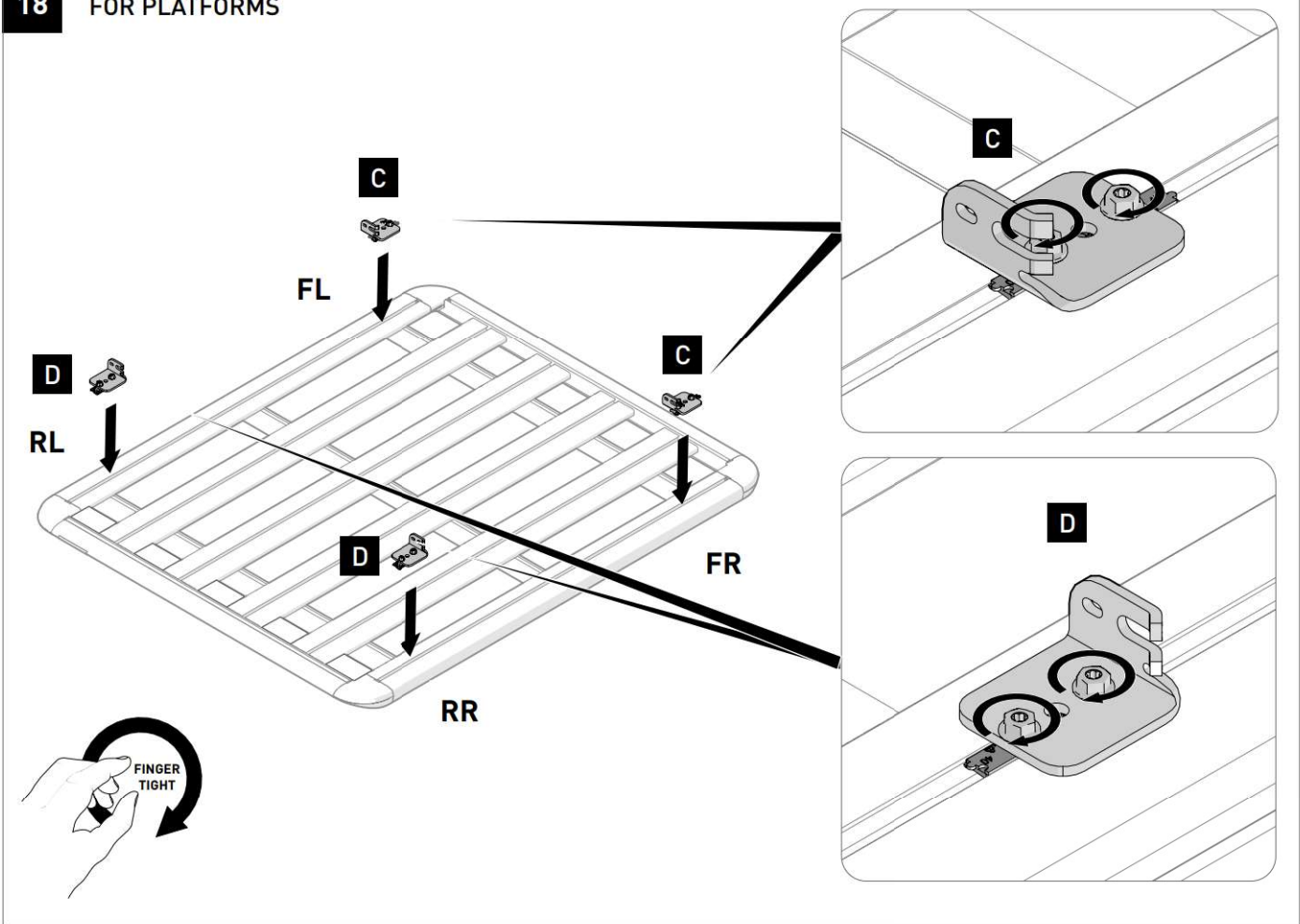


17

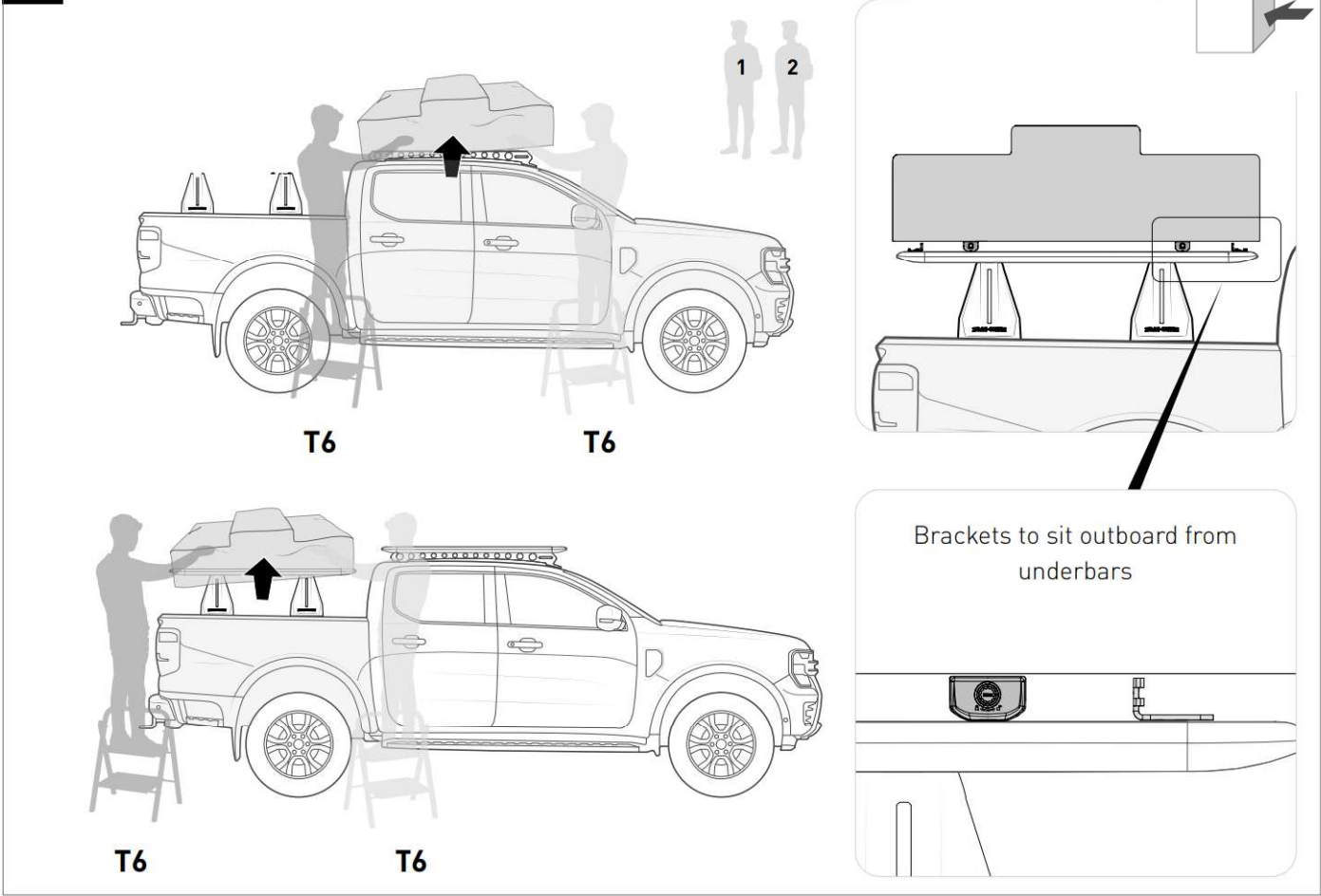


Proceed to Step **20**

18 FOR PLATFORMS



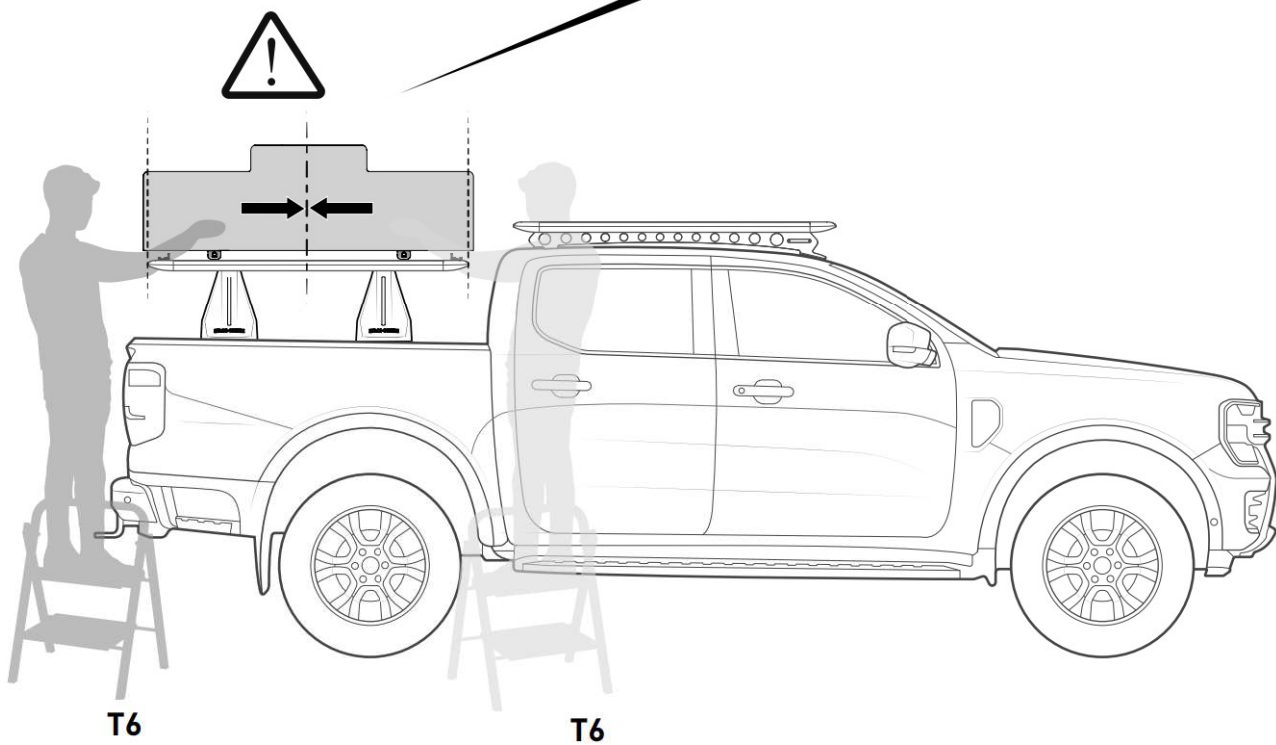
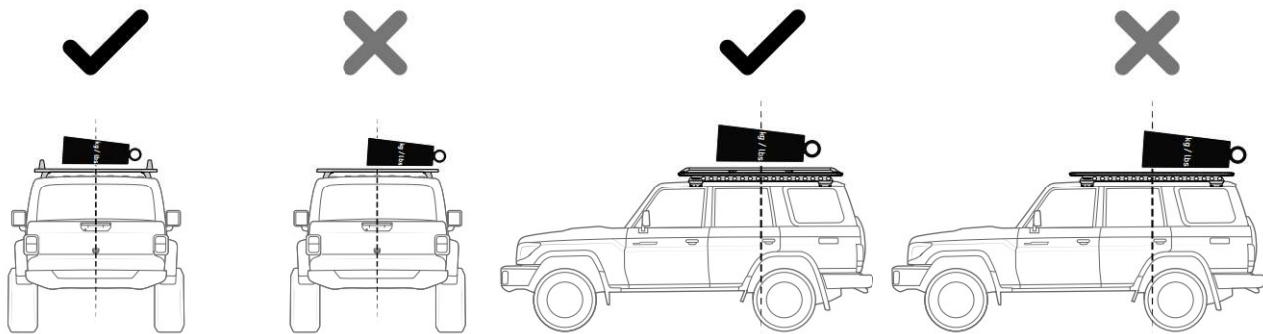
19



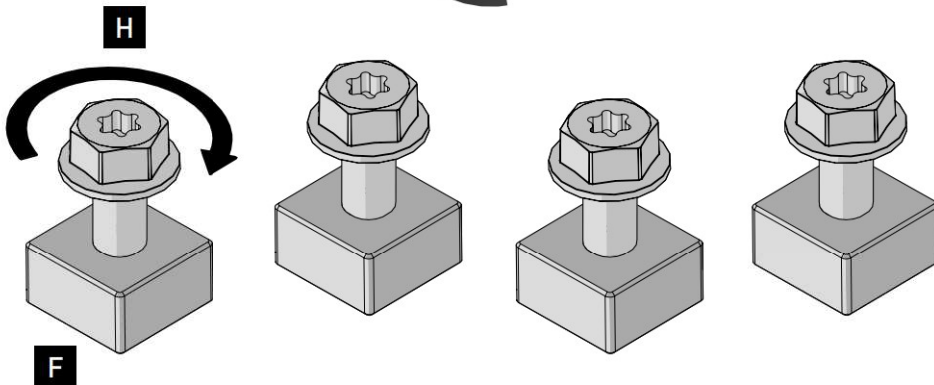
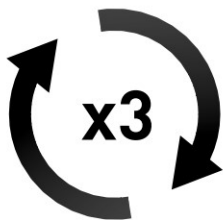
20

Distribute the tent to the centre of the roof rack system.

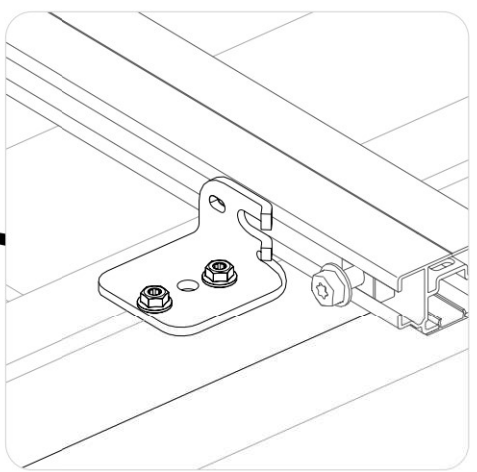
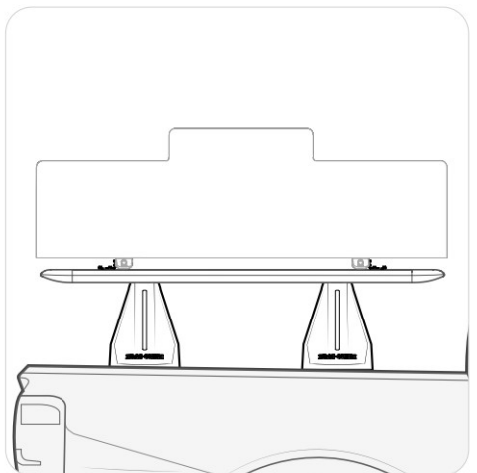
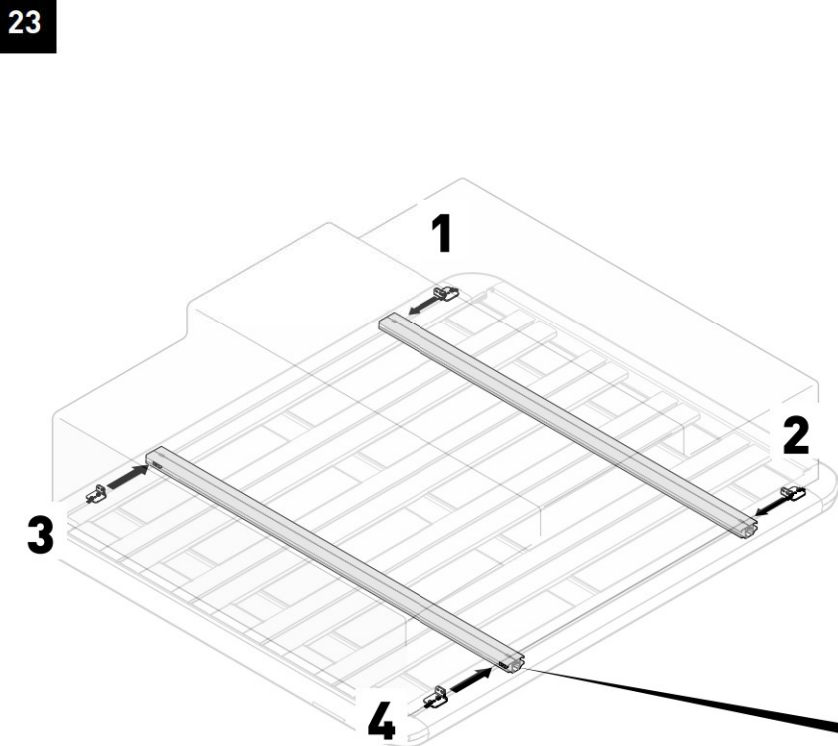
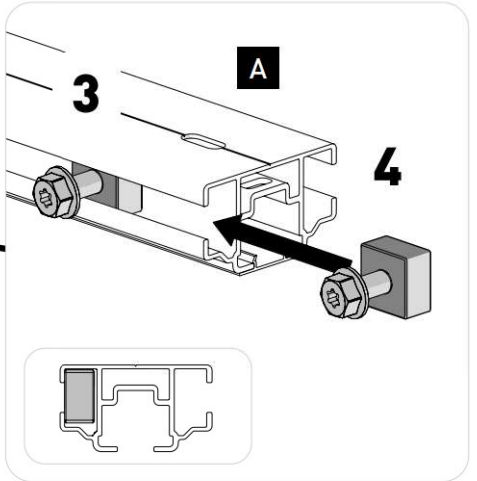
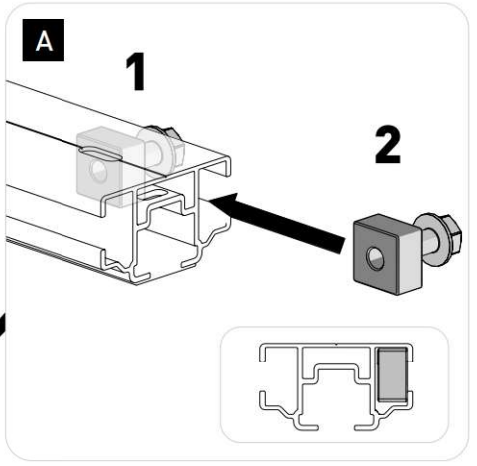
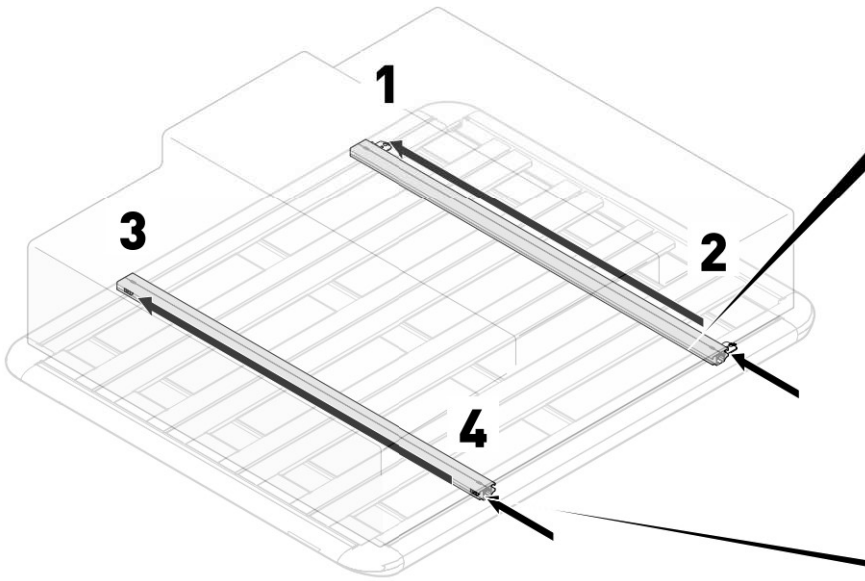
Avoid point loads concentrated at the front or rear.



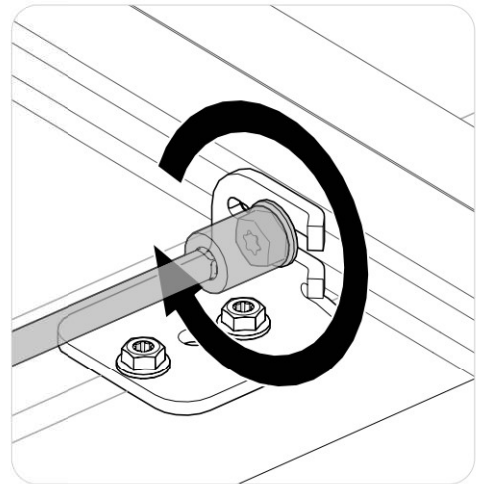
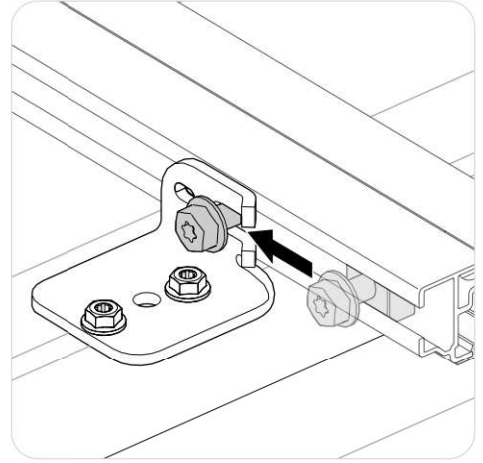
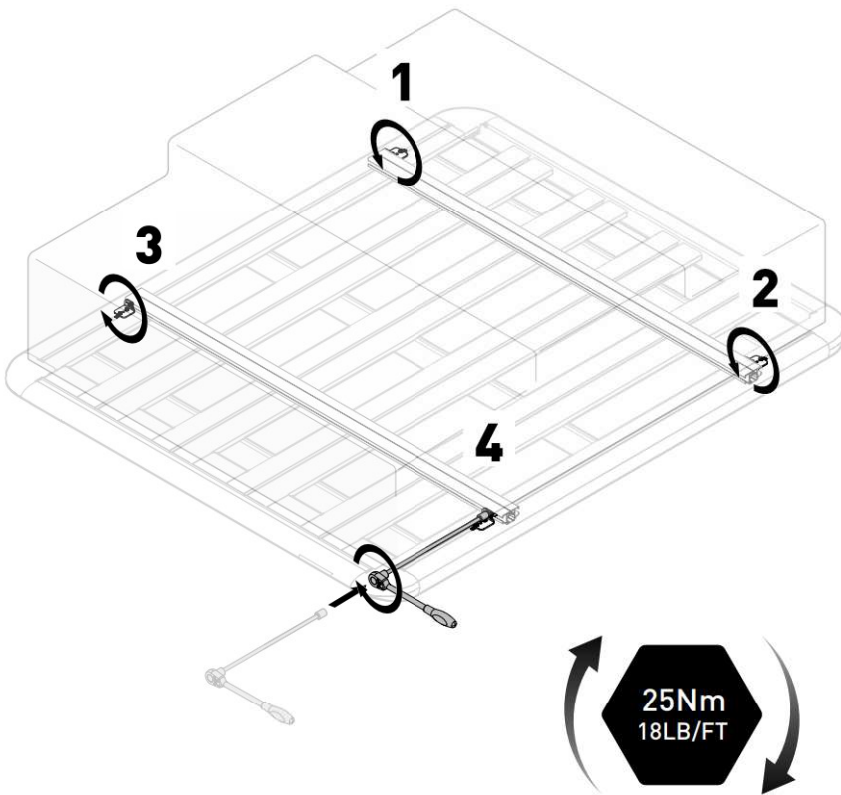
21



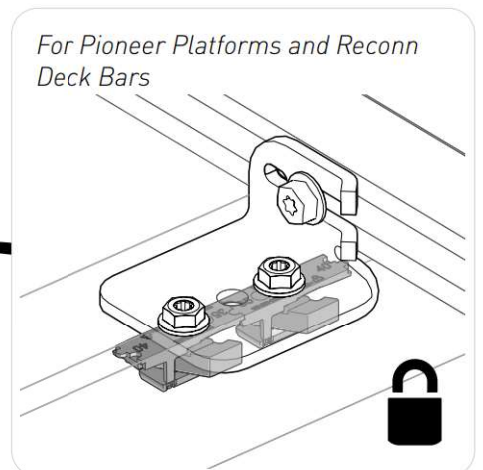
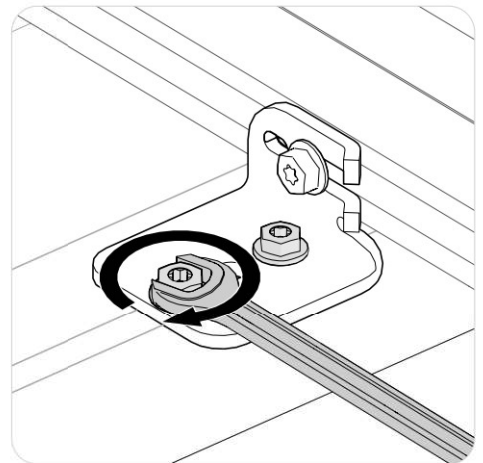
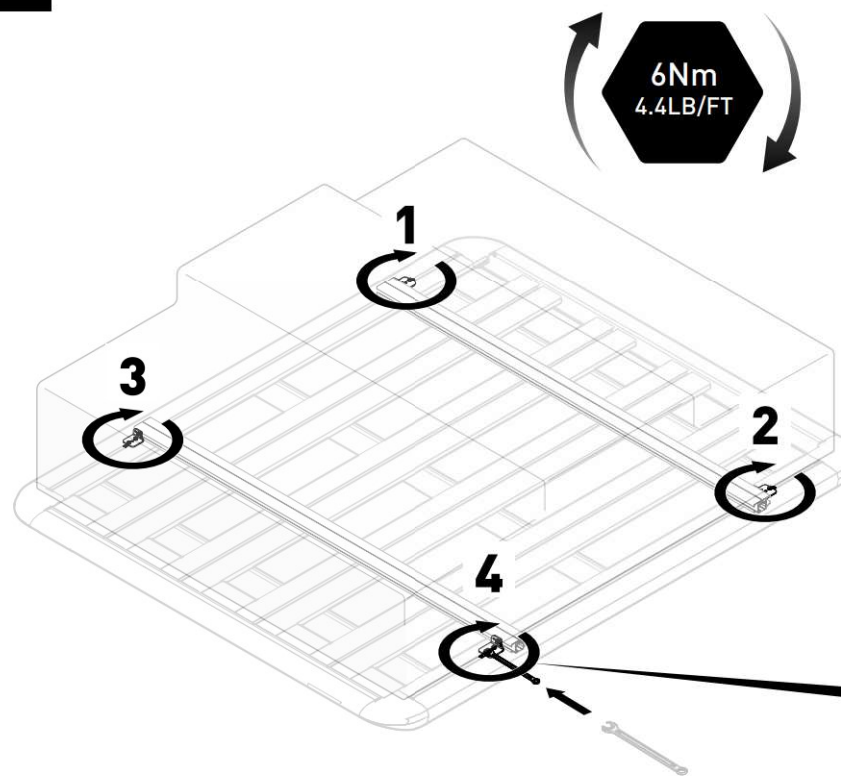
22 *Note: Example is for Pioneer Platforms. Applies to crossbars*



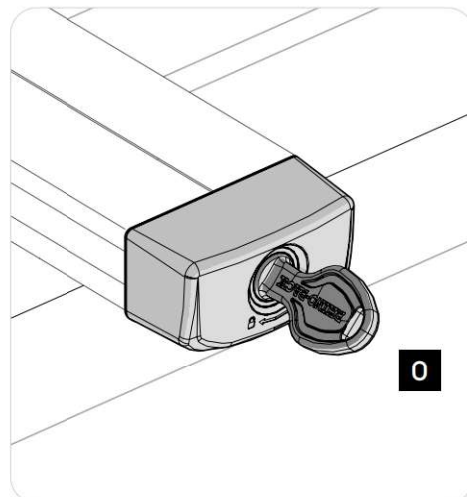
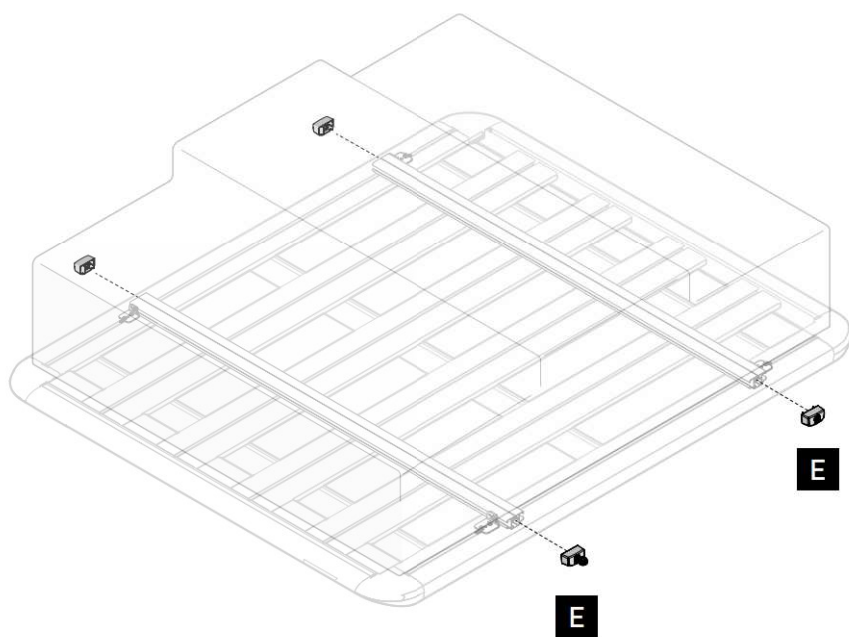
24



25

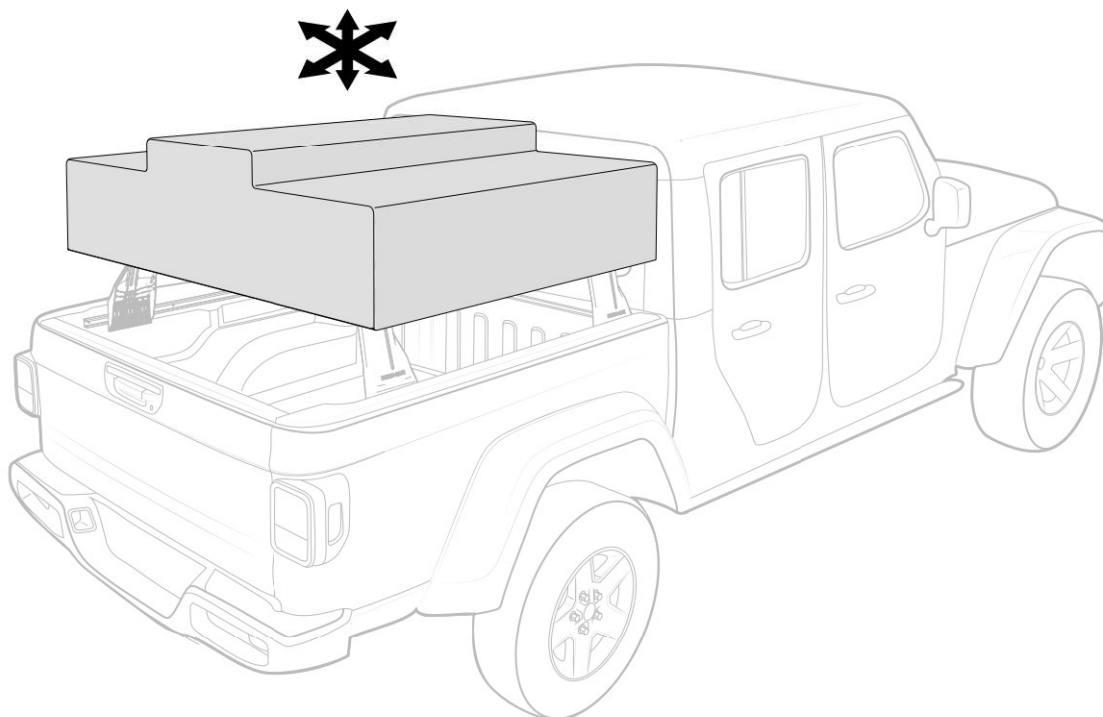


26



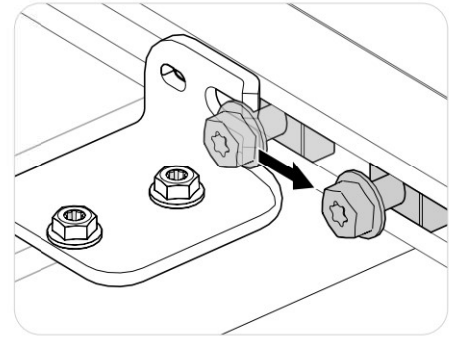
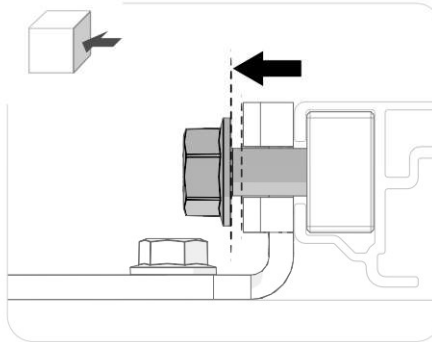
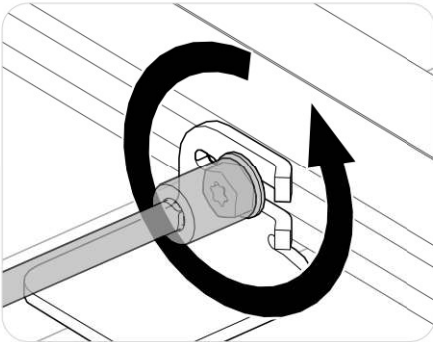
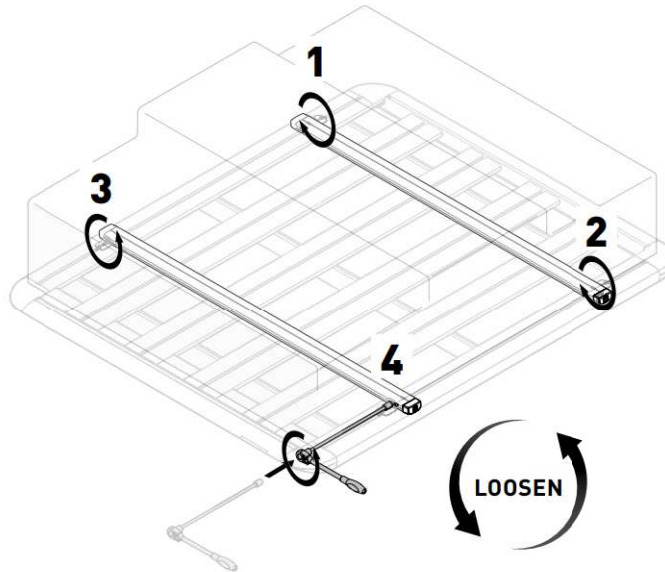
27

CHECK FITMENT IS SECURE

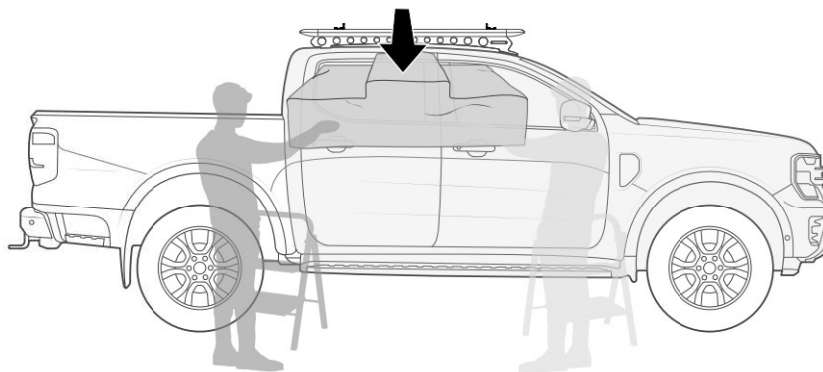


ROOFTOP TENT REMOVAL

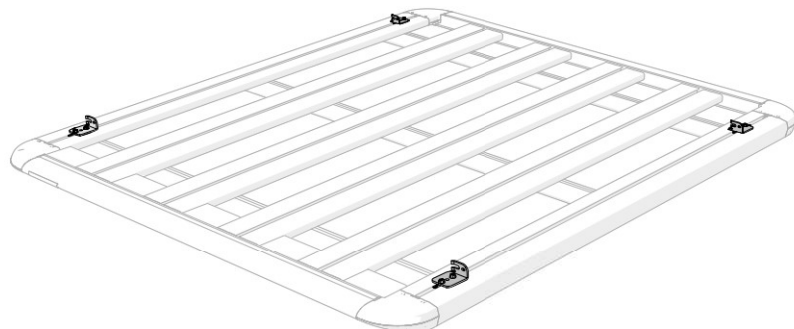
1

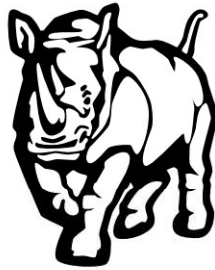


2



NOTE:
Mount brackets
can remain on the
roof rack system!





RHINO-RACK®

MAKE SPACE FOR ADVENTURE

RHINORACK.COM

Rhino-Rack AUSTRALIA
22A Hanson Pl,
Eastern Creek, NSW, 2766

Rhino-Rack USA
19822 E 22nd Ave,
Aurora, CO, 80011