

# RHINO-RACK®

## 6 Series Pioneer Platform

62100 - 62114

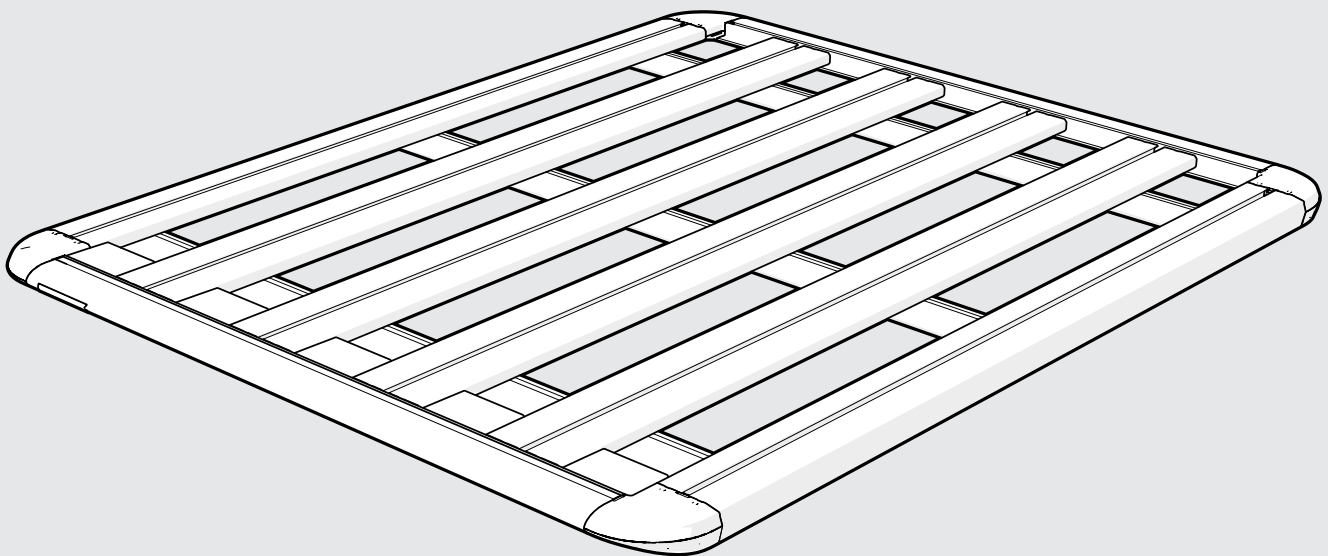
**Important:**

1. Check the Rhino-Rack website to ensure you have the latest issue of these instructions.
2. Please refer to your fitting instruction to ensure that the roof racks are installed in the correct locations.
3. Check the contents of kit before commencing fitment and report any discrepancies.
4. Place these instructions in the vehicle's glove box after installation is complete.
5. These instructions must be followed for warranty to be upheld.

**Fit Time:** 30 mins

**PIONEER™**

TWO-PERSON  
INSTALLATION

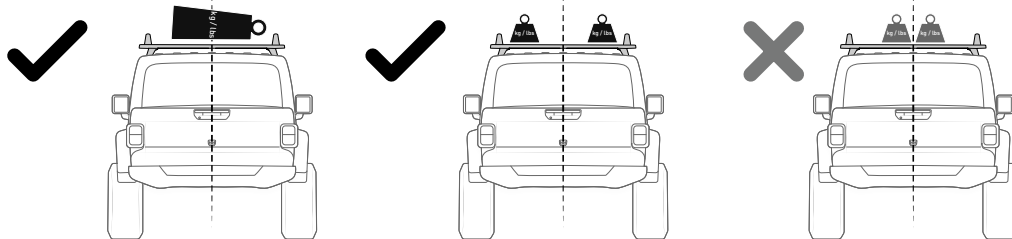


**RHINORACK.COM**

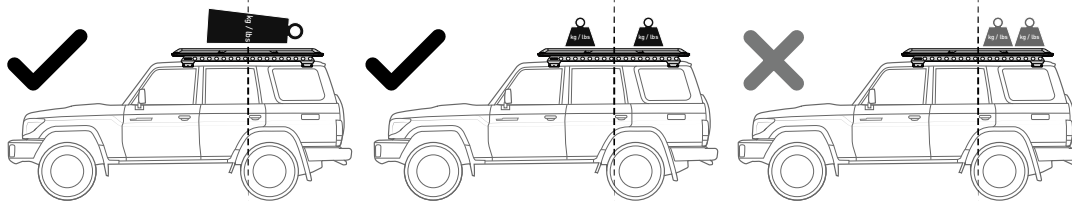
Doc. No: 520-RFI-00132

Issue No: 01

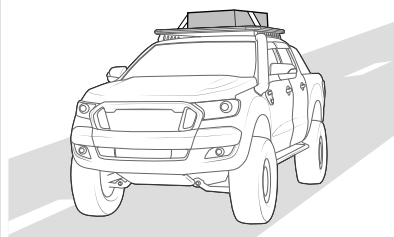
Issue Date: 29/06/2023



Distribute loads evenly and longitudinally as low as possible over the span.



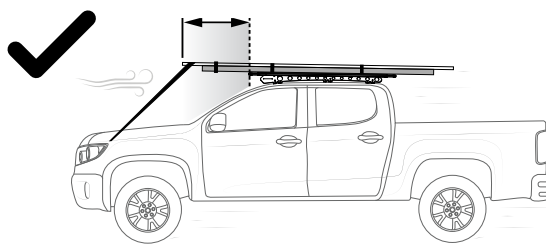
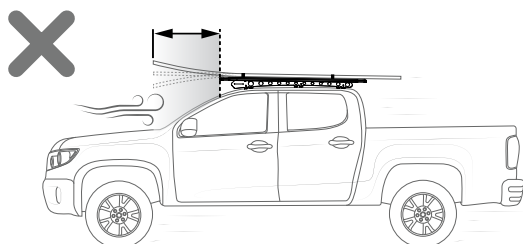
Avoid point loads concentrated at the front or rear.



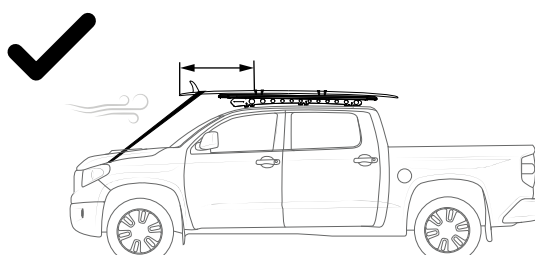
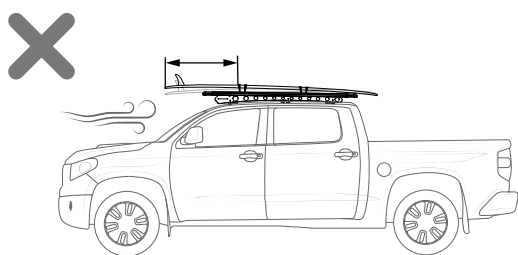
Exercise extreme care when transporting wind-resistant loads. Special consideration must be taken when cornering and braking.



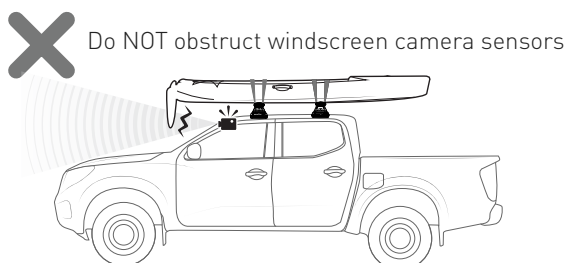
Off-road conditions can be much more rigorous. Extreme care must be taken on any driven path that does not contain a surface protection layer (tar/bitumen).



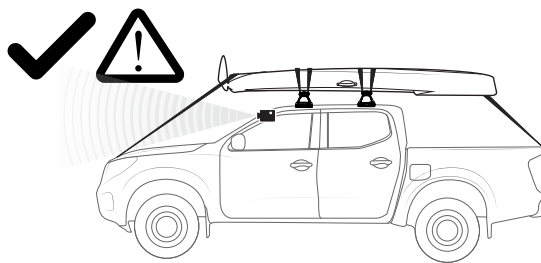
Long flexible loads must attach securely to rigid support and be tied down to the bonnet.



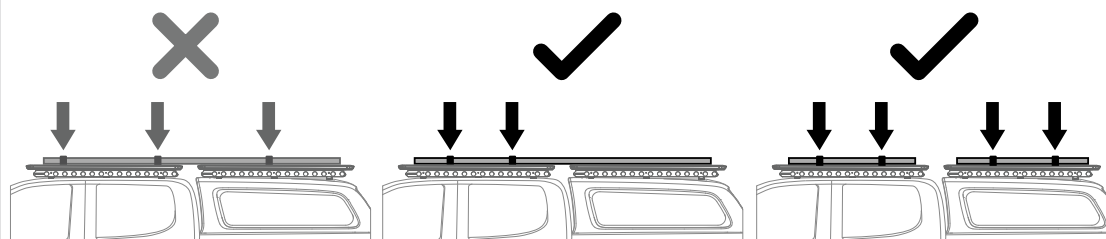
Surfboard Overhang greater than **600mm / 23 5/8in** must be tied to the bonnet



Do NOT obstruct windscreen camera sensors

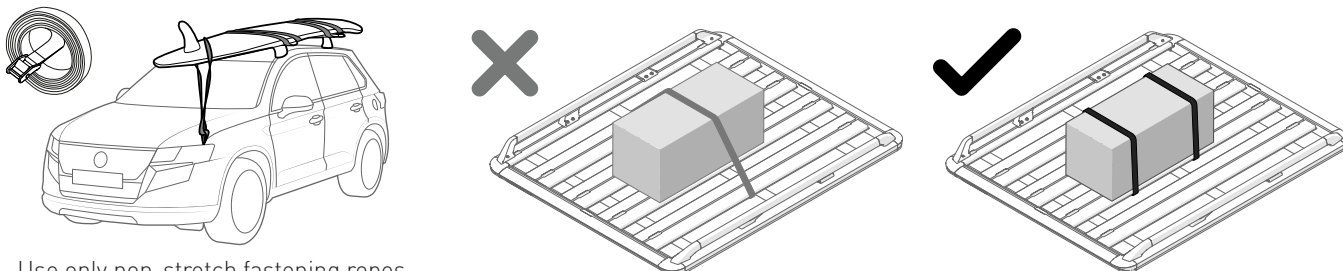
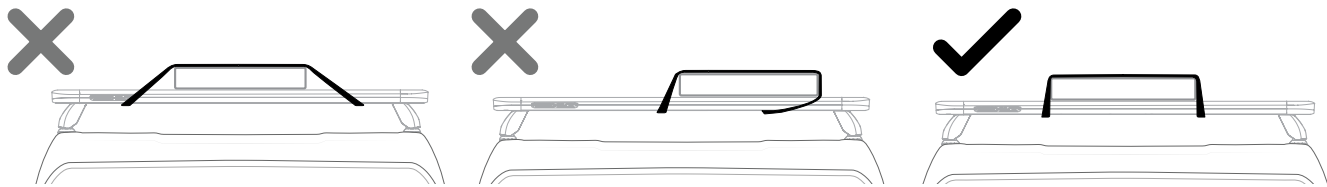


Warranty for roof rack system will be void if the front of the kayak is not secured to the bonnet

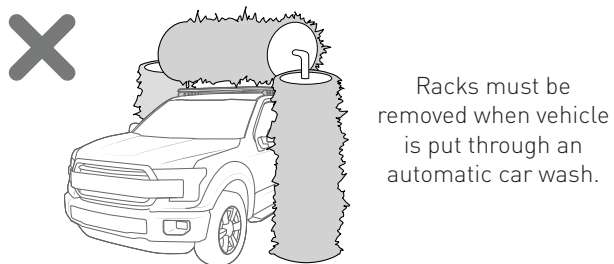


Tub/tray/canopys can move independently from the vehicle cabin.

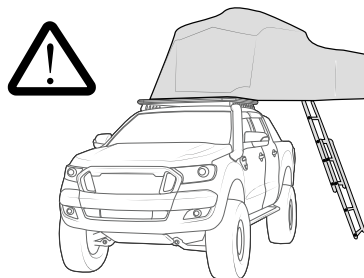
Rigidly fix to either the cabin roof racks **or** the tub/tray/canopy roof racks but not both simultaneously.



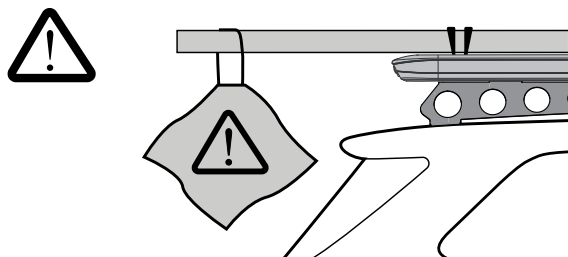
Use only non-stretch fastening ropes or straps to attach cargo to roof racks



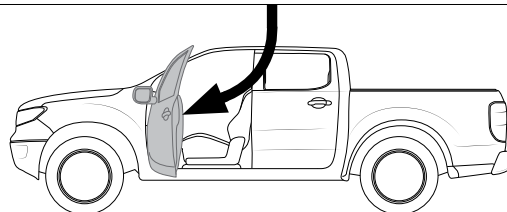
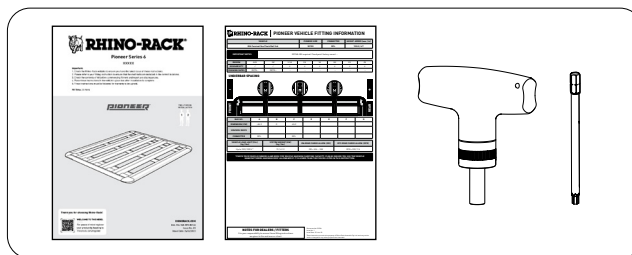
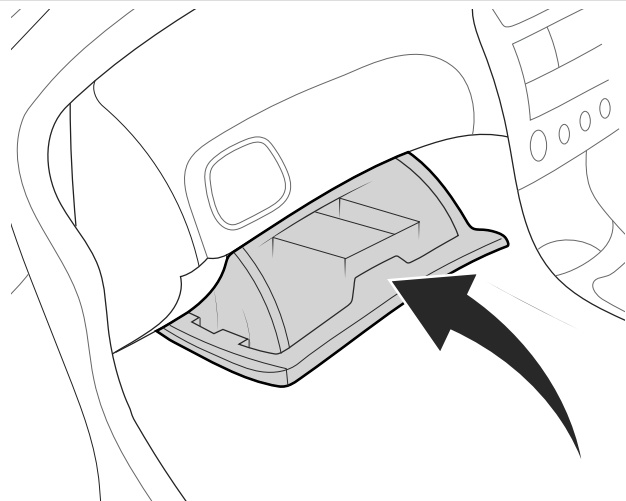
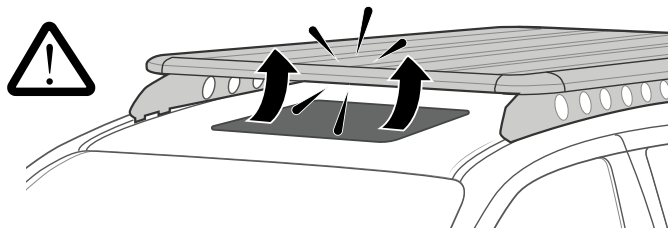
Racks must be removed when vehicle is put through an automatic car wash.



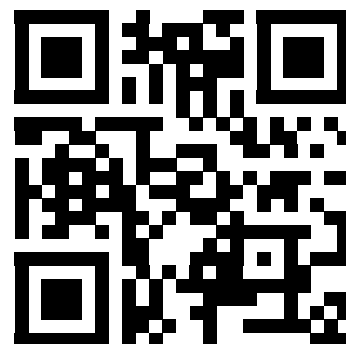
Ensure Ladder is well supported on the ground to support tent. Take extreme caution when climbing heights above 1.2m/4ft.



Ensure sunroof will not collide with roof rack system.

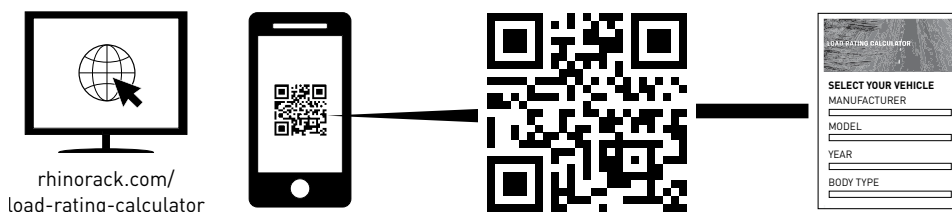


Youtube.com/RhinoRackAustralia



## Carrying Capacity

Check the website and the vehicle owners hand book for your vehicle manufacturer’s maximum carrying capacity. Load must be evenly distributed over the system.



### Cargo Load Limit

Total permissible weight allowed on top, and attached to the rack whilst the vehicle is in motion.



### System Weight

Total weight of the rack system. (e.g. Crossbars, Backbone, Platform)



### Max System Load Capacity

Please ensure you use the vehicle manufacturer’s maximum roof allowance if it is lower than the figure listed in the fitting chart/supplement.



### Vehicle Manufacturer’s Load Limit

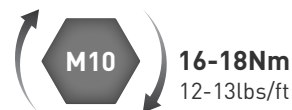
Total permissible weight attached to the rack. This is inclusive of the weight of the rack system.

## In Service Maintenance Checks

- All bolt connections should be checked after driving a short distance when you first install your roof racks.
- All bolted connections should be checked again at regular intervals (weekly is recommended, depending on road conditions, usage, loads and distances travelled).
- All bolted connections should be checked each time they are re-fitted.
- Off-road conditions are more rigorous. Check all bolted connections and your load more regularly.
- Ensure that your vehicle manufacturer’s GVM, and gross axle weights are not exceeded (refer to vehicle owner’s manual).

#### Torque Settings:

Unless stated otherwise in these instructions, all fasteners should be set to the following torque settings:



## Note for Dealers and Fitters

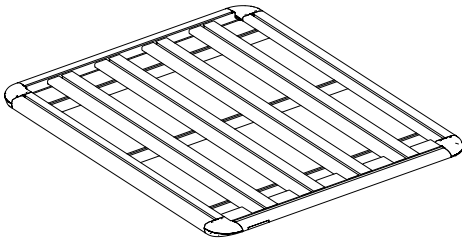
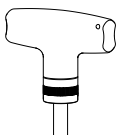

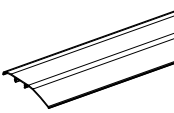
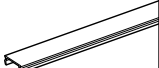

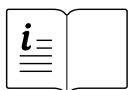
It is your responsibility to ensure these fitting instructions are given to the end user or client. These instructions remain the property of Rhino-Rack Australia Pty. Ltd. and may not be used or changed for any other purpose than intended.

## Warranty

We love creating our products for you and hope you love using them too. For complete peace of mind, register your product at [www.rhinorack.com/warranty](http://www.rhinorack.com/warranty). This way, we can quickly help you with any future approved fitment warranty claims.

And remember – never to forget to **Make Space For Adventure!**

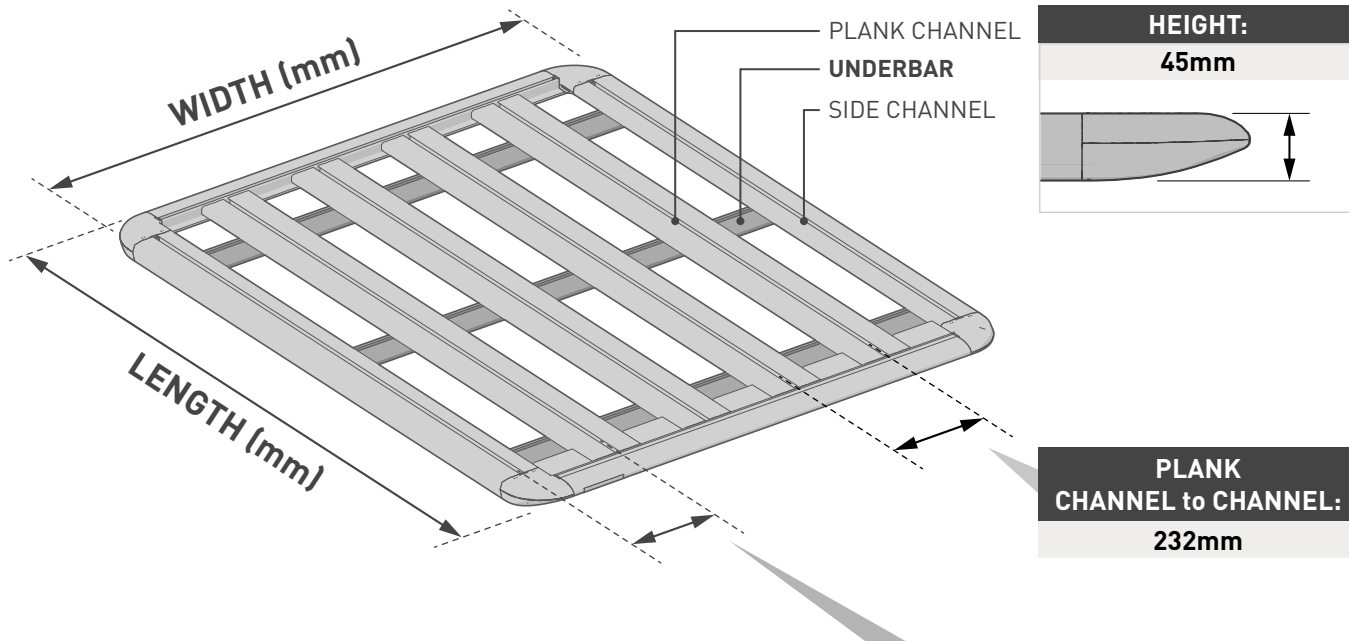
Parts List

<p>Assembled Pioneer <i>62100 depicted in this instruction</i></p>  <p><b>A</b> x1</p>	<p>Torque Tool</p>  <p><b>B</b> x1</p>	<p>T25 Torx Drive</p>  <p><b>C</b> x1</p>	<p>Underbar Cover</p>  <p><b>D</b> x1</p>
	<p>Channel Cover <i>Preassembled</i></p>  <p><b>E</b> x2</p>	<p>Plastic Cap <i>Included in kits 62100 - 62103, 62109 - 62111</i></p>  <p><b>F</b> x6</p>	<p>Instructions</p>  <p><b>G</b> x1</p>

TOOLS REQUIRED:

- T1** - Measuring Tape
- T2** - Pencil / Marker
- T3** - Safety Knife
- T4** - 13mm Socket Wrench / Spanner (for Backbone fittings)
- T5** - Flathead screwdriver (for FRONT mounted Accessories)

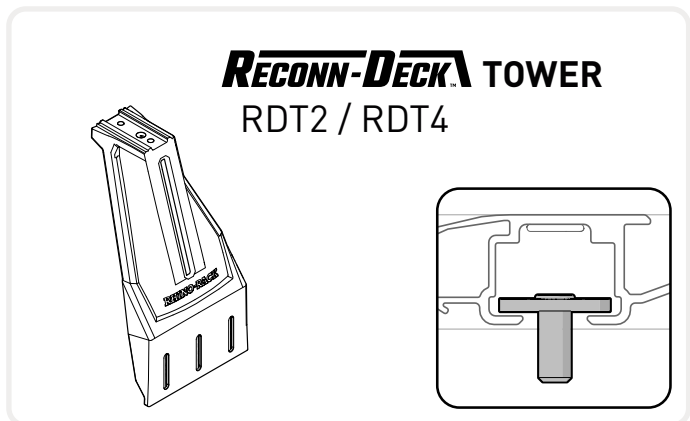
Platform Sizes



MODEL	LENGTH (mm)	WIDTH (mm)	PLANKS	UNDERBARS	SIDE to PLANK CHANNEL (mm)	APPROX. WEIGHT (kg)
62112	900	1430	5	2	193	12.5
62109	1300	1240	4	3	214	14.8
62110	1300	1380	5	3	168	16.9
62111	1300	1430	5	3	193	17.1
62100	1500	1240	4	3	214	16.2
62101	1500	1380	5	3	168	18.6
62113	1500	1430	5	3	193	18.8
62114	1500	1590	5	3	273	19.6
62108	1800	1430	5	5	193	23.9
62102	1900	1240	4	5	214	21.4
62103	1900	1380	5	5	168	24.5
62107	2100	1240	4	5	214	22.8
62104	2100	1430	5	5	193	26.5
62106	2500	1590	5	6	273	32.3
62105	2700	1472	5	7	214	34.4

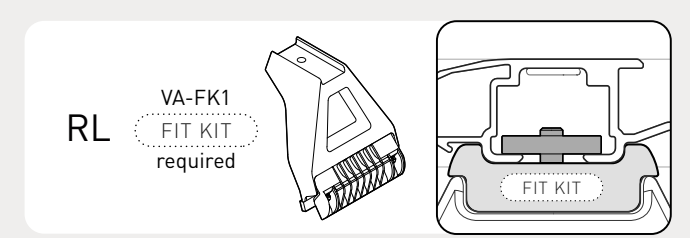
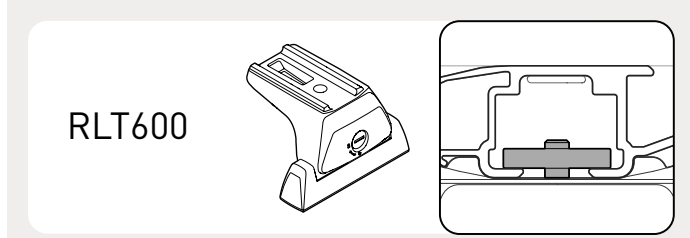
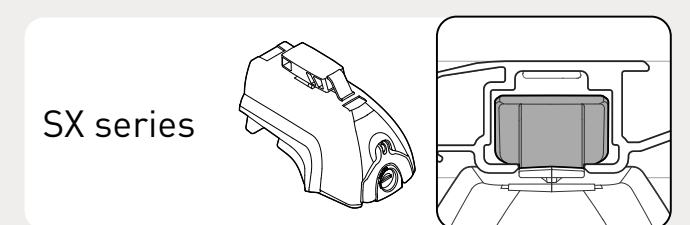
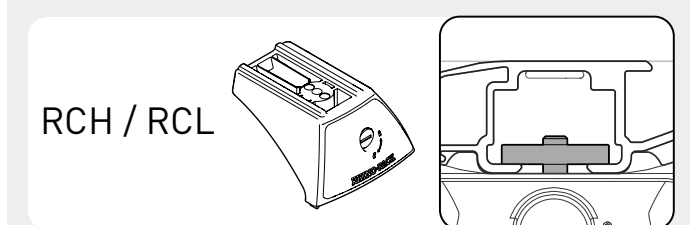
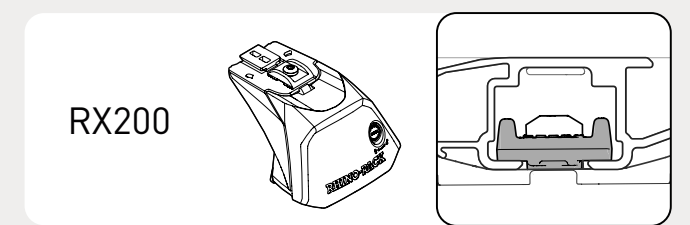
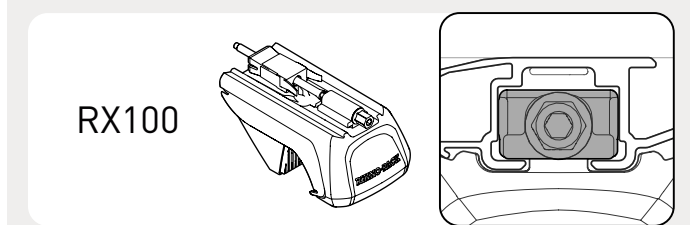
Compatibility

**COMPLETE BACKBONE / RD TOWER INSTRUCTIONS FIRST BEFORE COMMENCING PLATFORM INSTALLATION**



**COMPLETE PLATFORM UNDERBAR SETUP BEFORE INSTALLING LEGS TO PLATFORM**

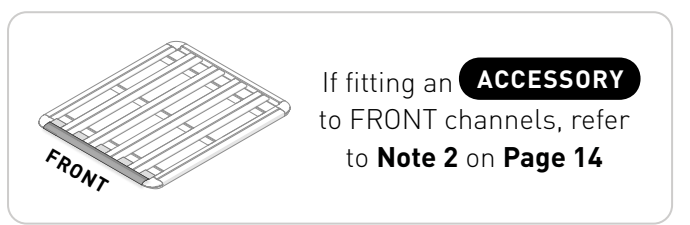
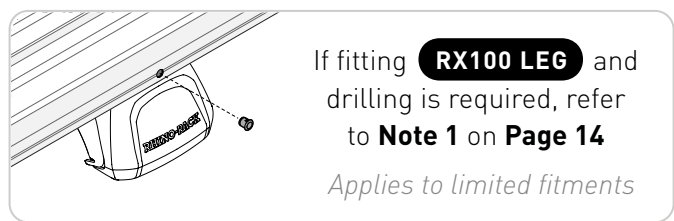
**LEGS**



**IMPORTANT NOTE:**

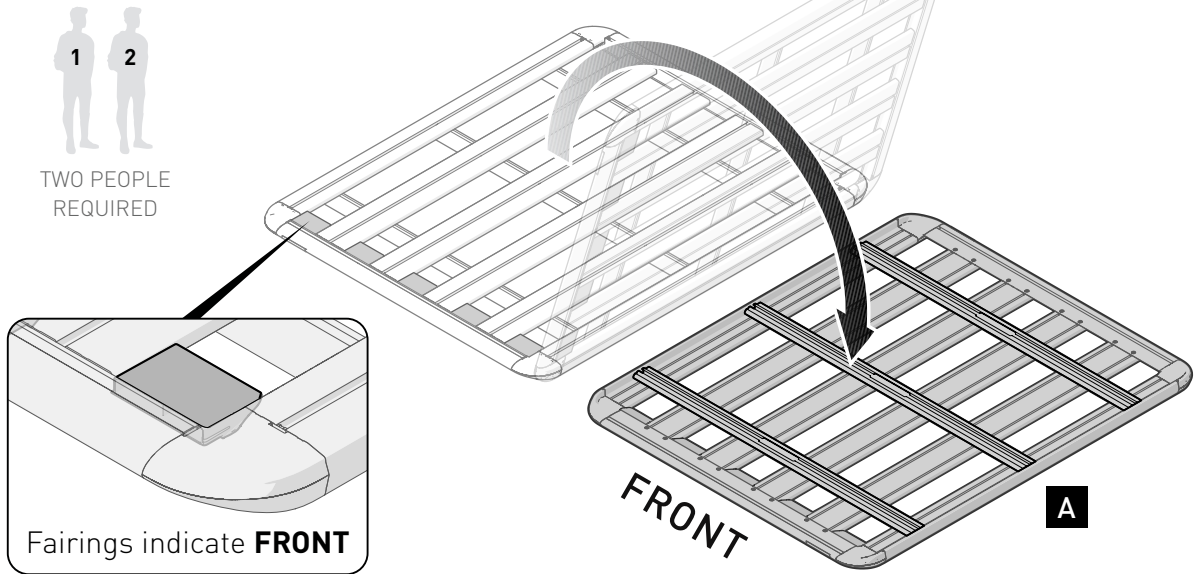
Compatibility of the above components is vehicle dependant. Please check viable fitments for your vehicle by following the "Fit My Vehicle" journey online.

rhinorack.com/roof



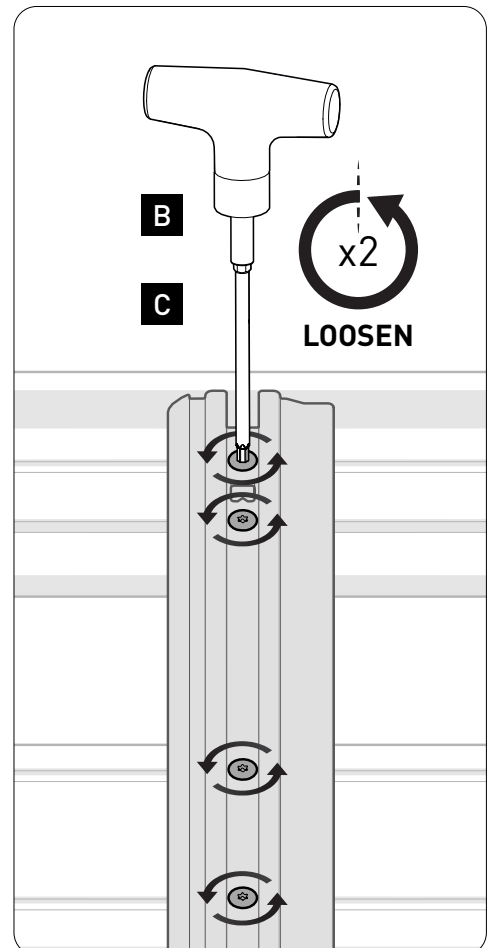
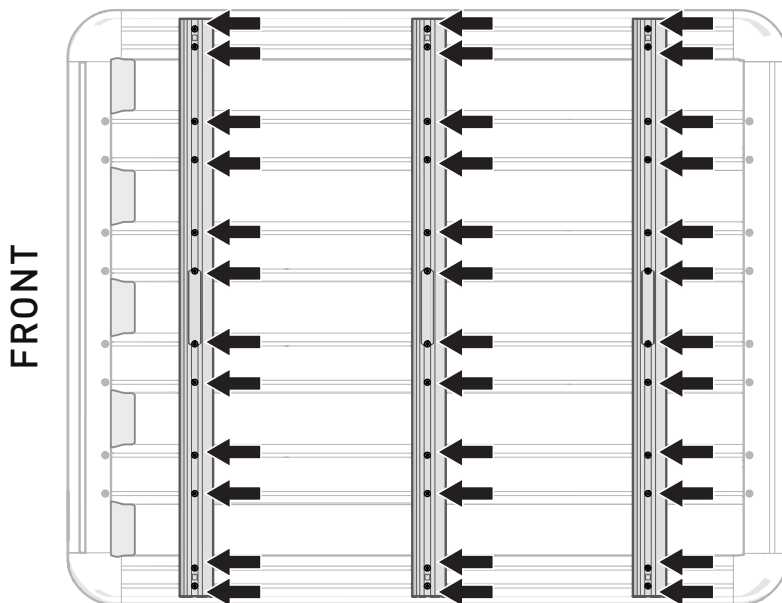
**NOTE**

Ensure platform is orientated **upside-down** before beginning installation.  
 Flip if necessary. Place on a flat surface.



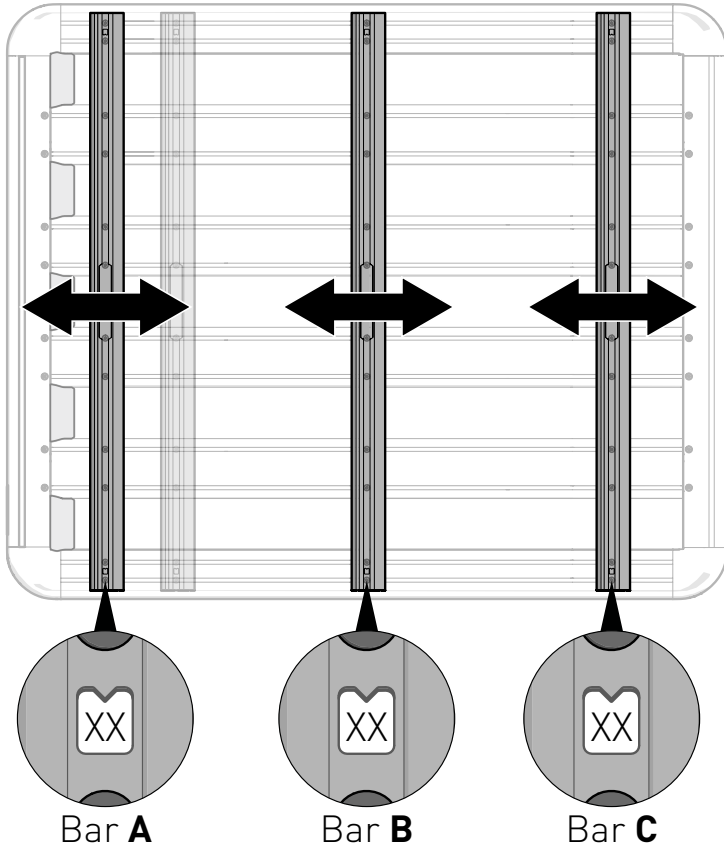
**BEGIN INSTALLATION** 🚩🚩

**1**



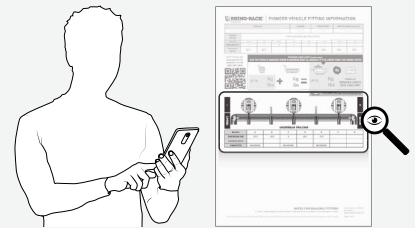
2

FRONT



rhinorack.com/roof

1. Complete **Fit my vehicle** journey
2. Select your **Product Solution**
3. Scroll down to **'Product Details'**
4. Select the **'INSTRUCTIONS'** tab to View the Fitting Chart
5. Space your Underbars to the dimensions provided.

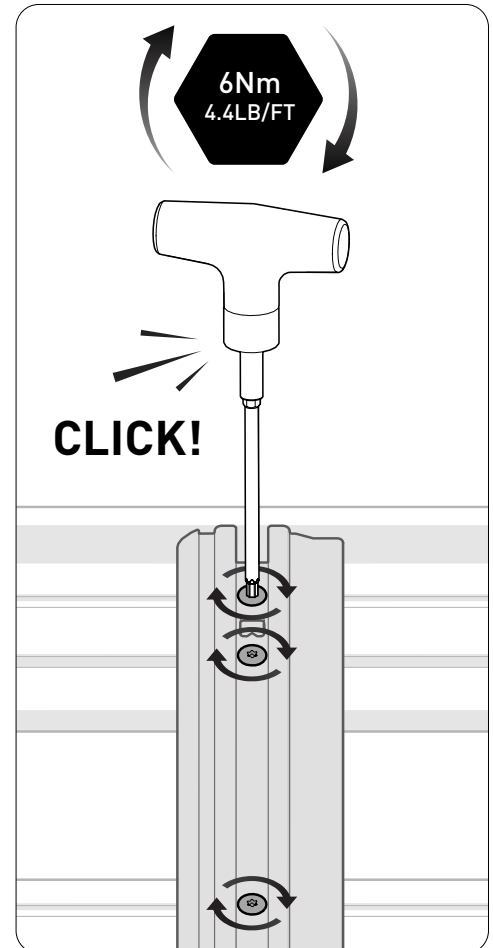
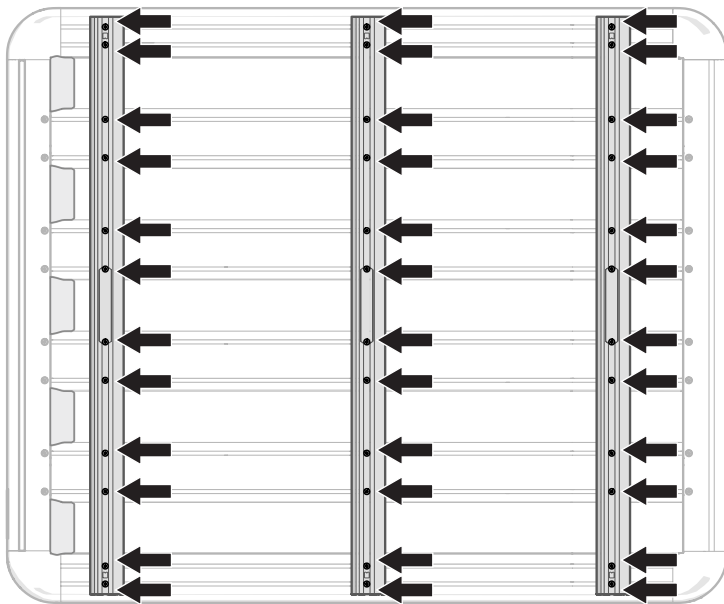


VIEW FIT CHART

**NOTE:** Refer to your *Vehicle Specific Pioneer Fit Chart* for your underbar position. The number of underbars varies between platforms.

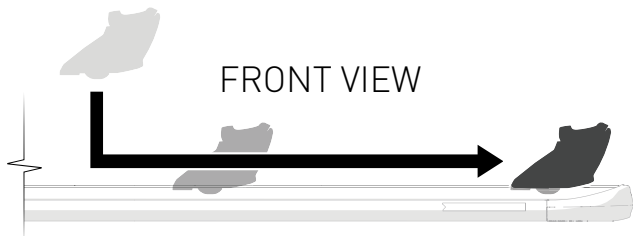
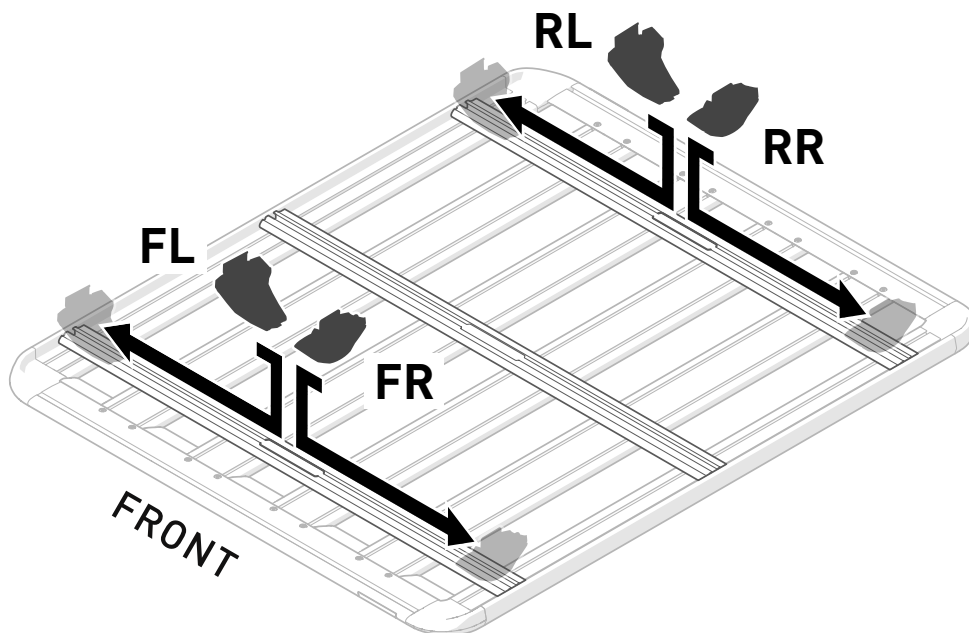
3

FRONT





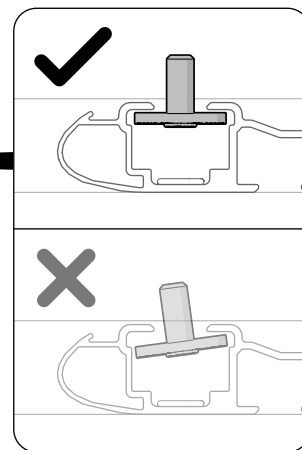
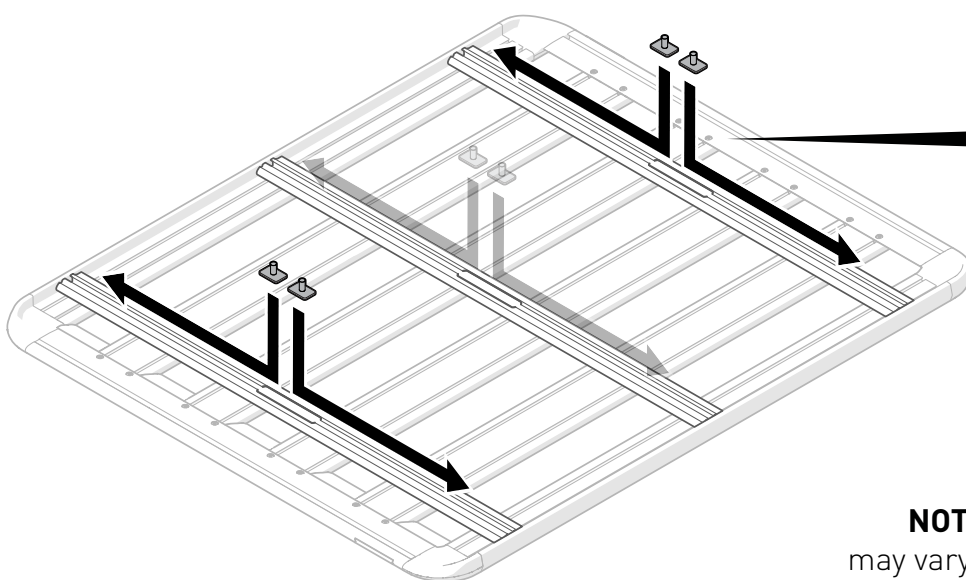
**4 FOR INSTALLATION WITH LEGS:**



**INSTALL ACCORDING TO LEG INSTRUCTIONS AND PIONEER FITTING CHART**

**NOTE:** Refer to COMPATIBILITY Section on PAGE 6 for possible leg fitments

**FOR INSTALLATION WITH BACKBONE™ and RECONN-DECK™ TOWERS:**

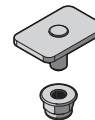


**NOTE:** number of underbars may vary between platform sizes

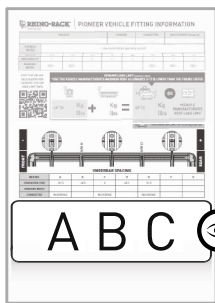


**HARDWARE PROVIDED IN BACKBONE / RD TOWER KIT**

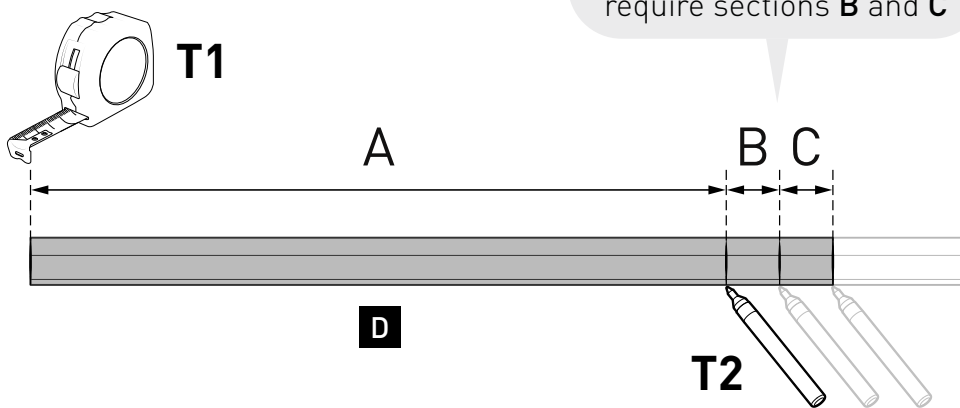
Quantity depends on platform size:



5



VIEW FIT CHART

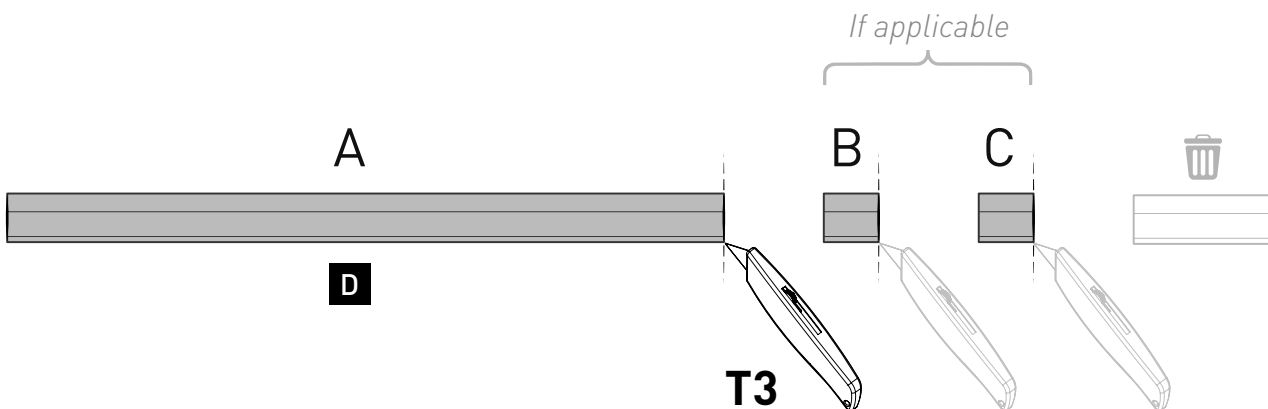


**NOTE:** Some fits do not require sections B and C

**NOTE:** Mark accurately to ensure correct sealing around LEGS / BACKBONES / RD TOWERS

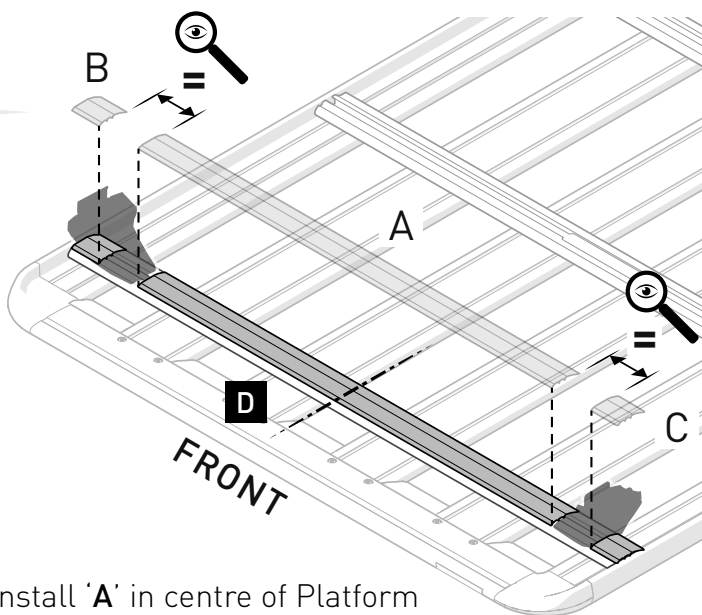
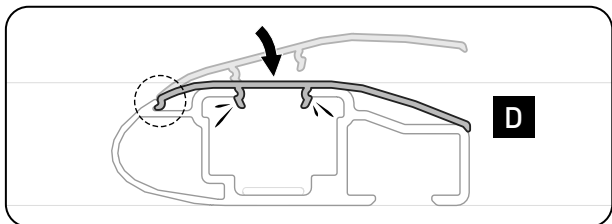
For PIONEER FIT CHARTS without 'A', 'B' & 'C', proceed to Steps 11 - 13 then resume to Step 6

6



7

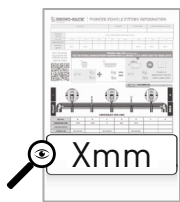
**NOTE:** When legs sit flush to platform side extrusions, B and C are not required



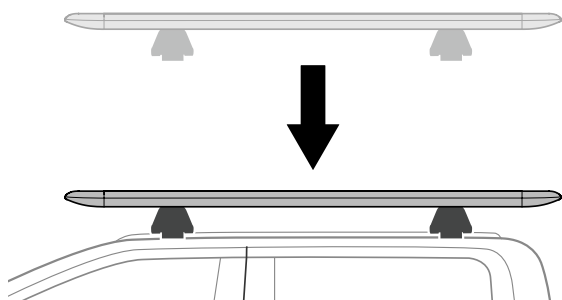
Install 'A' in centre of Platform with equal gaps to 'B' & 'C'.

8

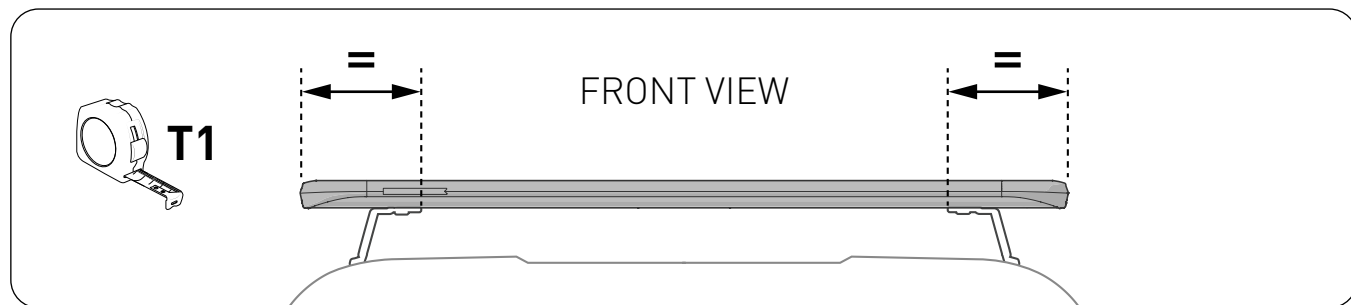
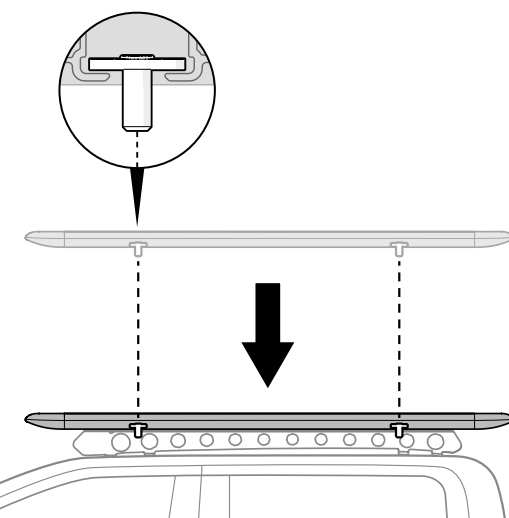
**LEGS:**



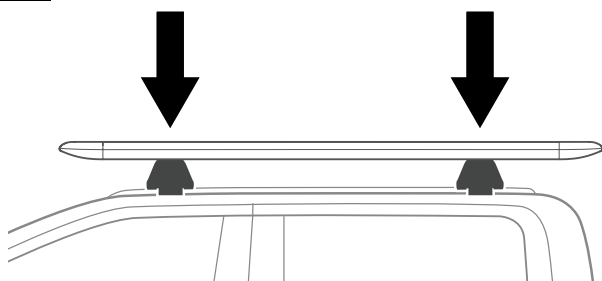
Position to dimension on **Fit Chart**, if provided



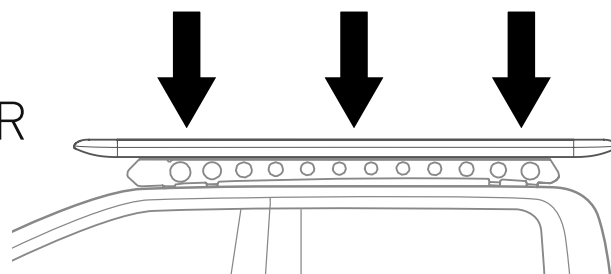
OR



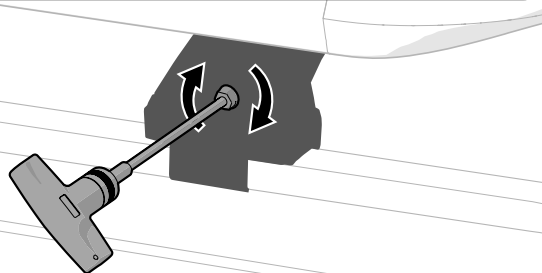
9



OR

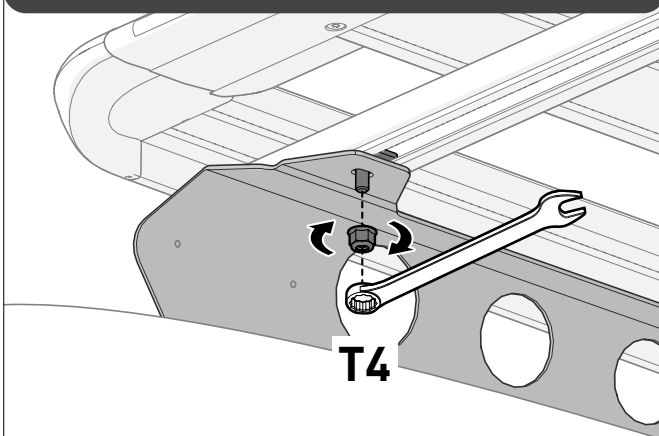


**TIGHTEN ACCORDING TO LEG INSTRUCTIONS**



If torque is not stated in **LEG** instruction, tighten to **6Nm**

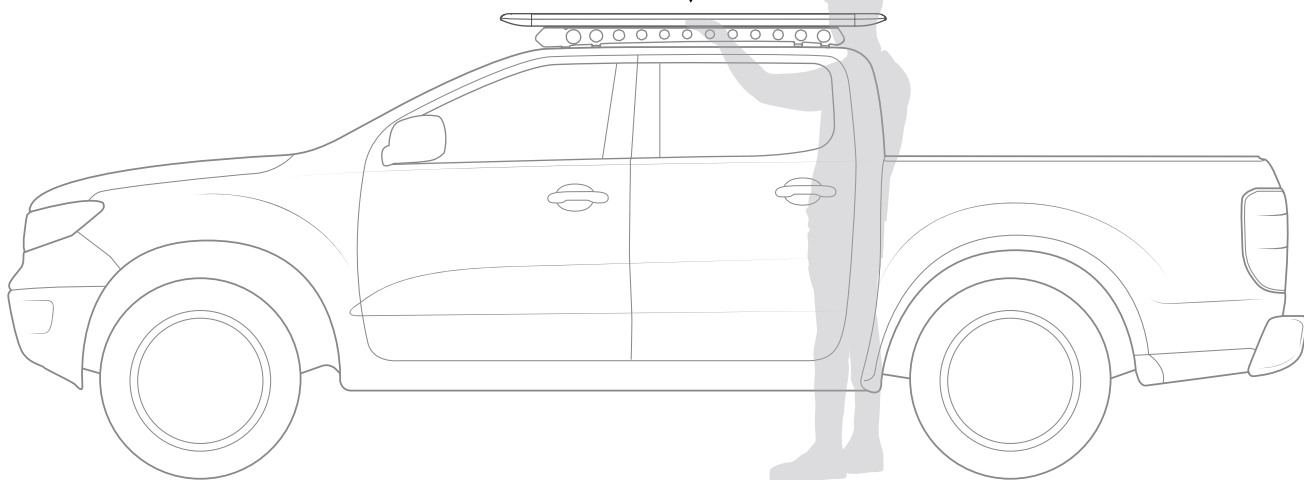
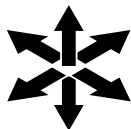
**TIGHTEN ACCORDING TO BACKBONE / RD TOWER INSTRUCTIONS**



**NOTE:** For RX100, if bolt is not accessible to tighten, refer to **NOTE 1** on **PAGE 14**

10

CHECK FITMENT IS SECURE



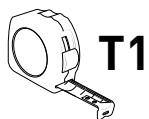
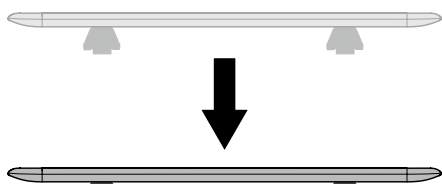
INSTALLATION IS COMPLETE ✓

For PIONEER FIT CHARTS without 'A', 'B' & 'C', proceed to Steps 11 - 13 then resume to Step 6

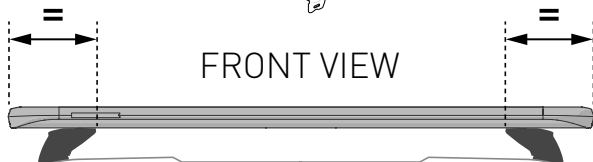
11

**FOR LEGS:** (FOR **BACKBONE** or **RECONN-DECK** skip to Step 13)

Position to dimension on **Fit Chart**, if provided  
 Xmm

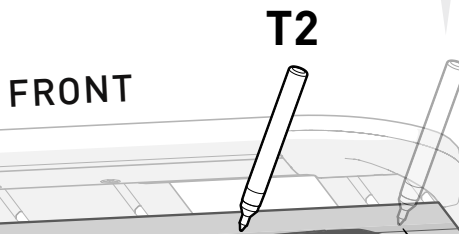


FRONT VIEW

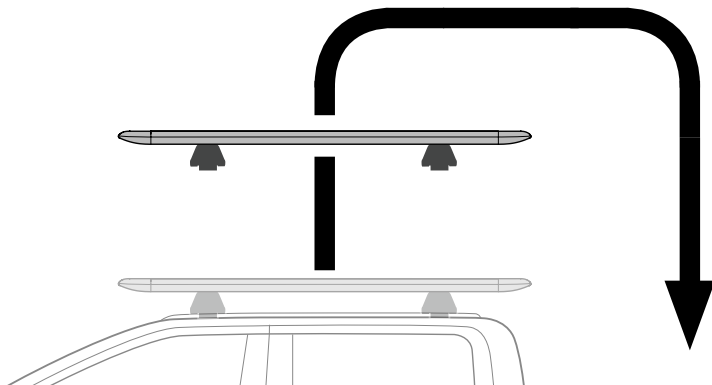


Mark **FRONT underbar** on both LEFT and RIGHT hand side of vehicle

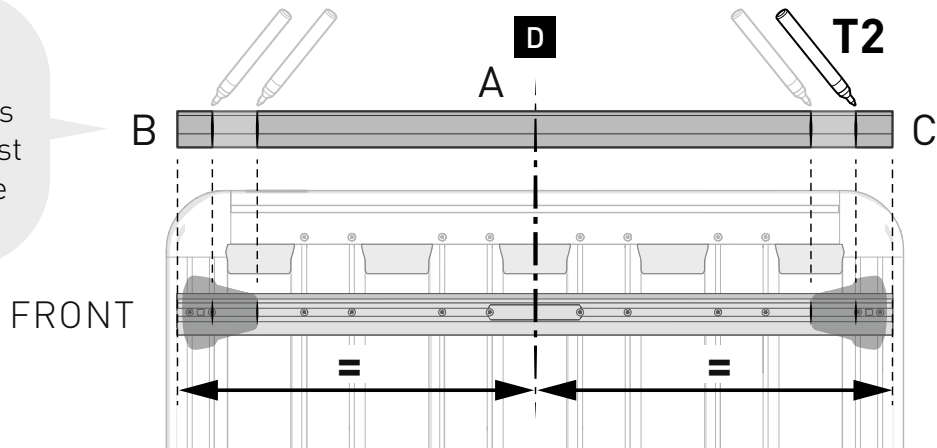
**NOTE:** When legs sit flush to platform side extrusions, the outside marking isn't required



12



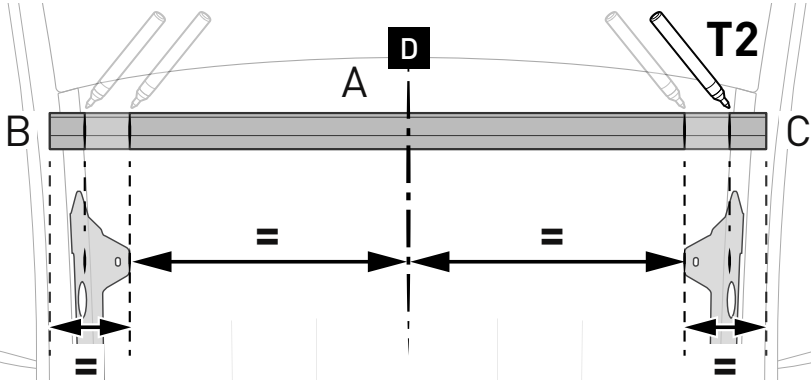
**NOTE:** Sections **B** and **C** are not required when legs are installed against the platforms side extrusion



Once completed, resume to Step **6**

13

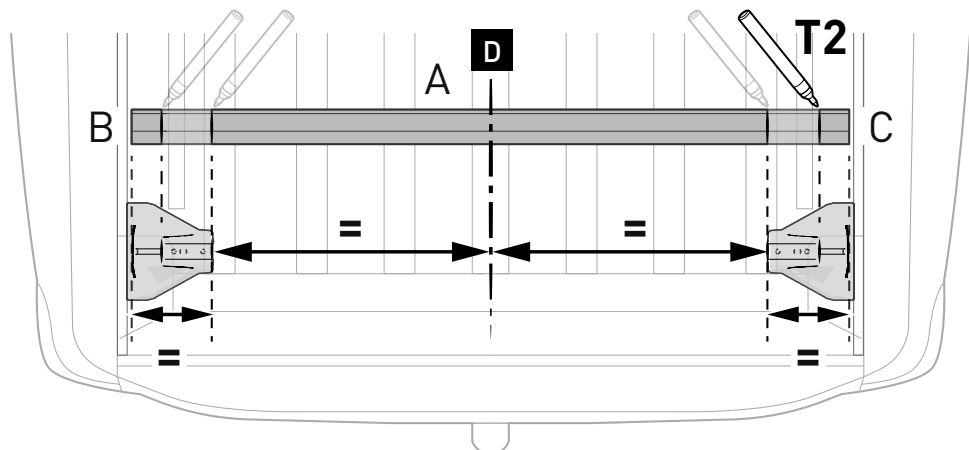
**BACKBONE™**



**T1**

OR

**RECONN-DECK™**  
TOWERS

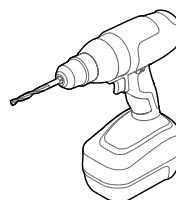
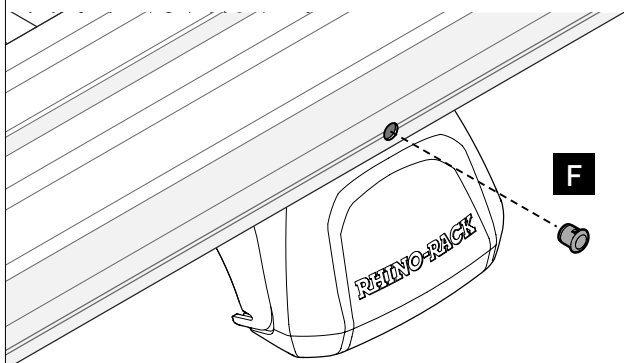


Once completed, resume to Step **6**

**NOTE 1**

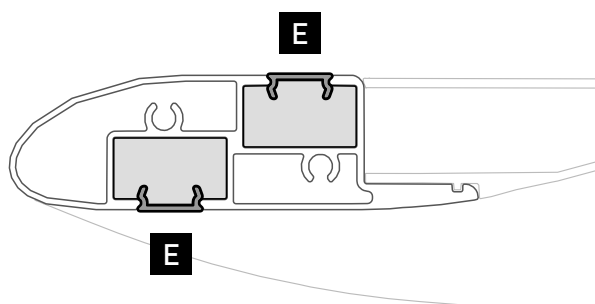
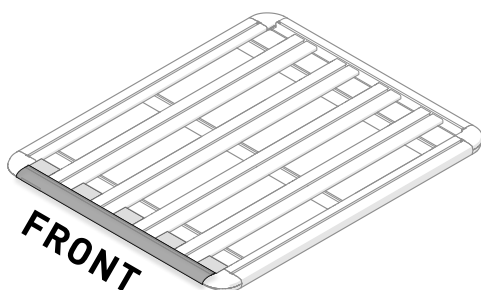
**ADDITIONAL PART for RX100 LEG leg Fitments**

**REFER TO RX100 LEG KIT INSTRUCTIONS FOR COMPLETE INSTALLATION STEPS**

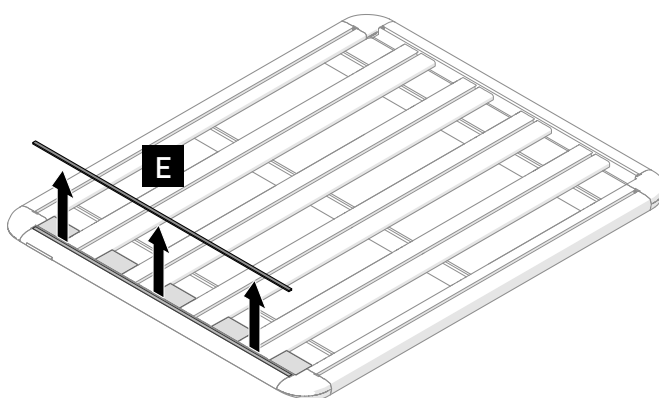
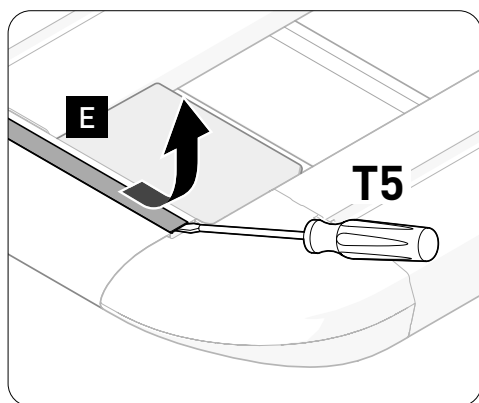


**NOTE 2**

**ADDITIONAL STEPS IF FITTING ACCESSORY TO FRONT CHANNELS**

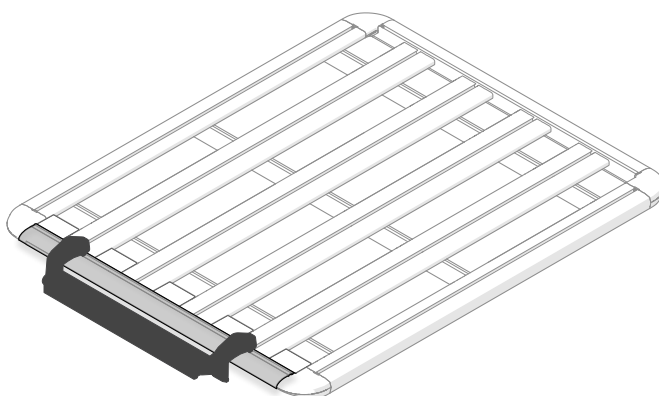


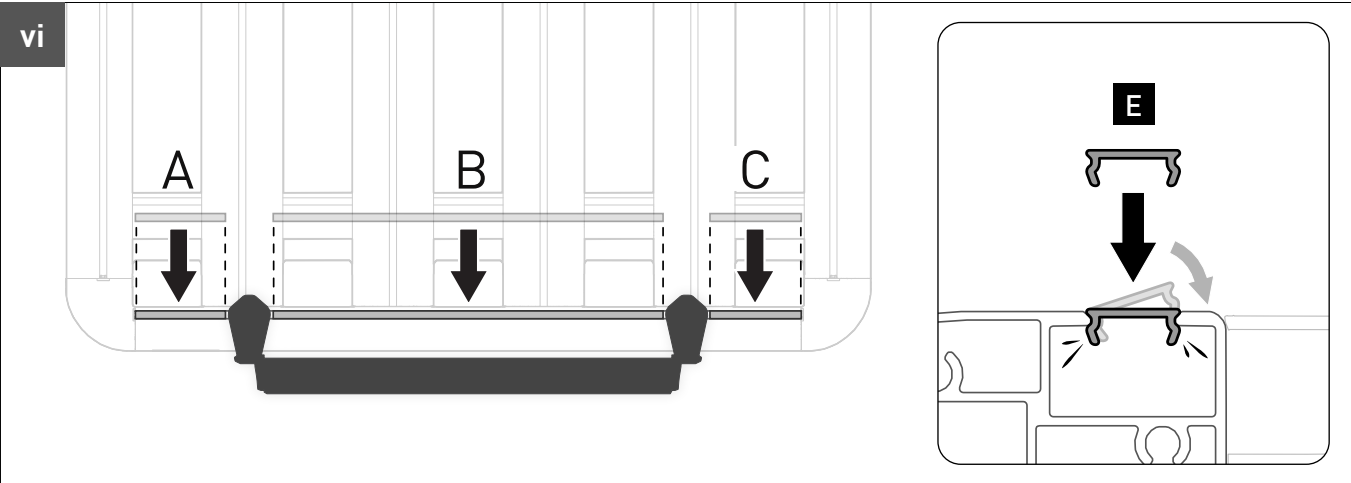
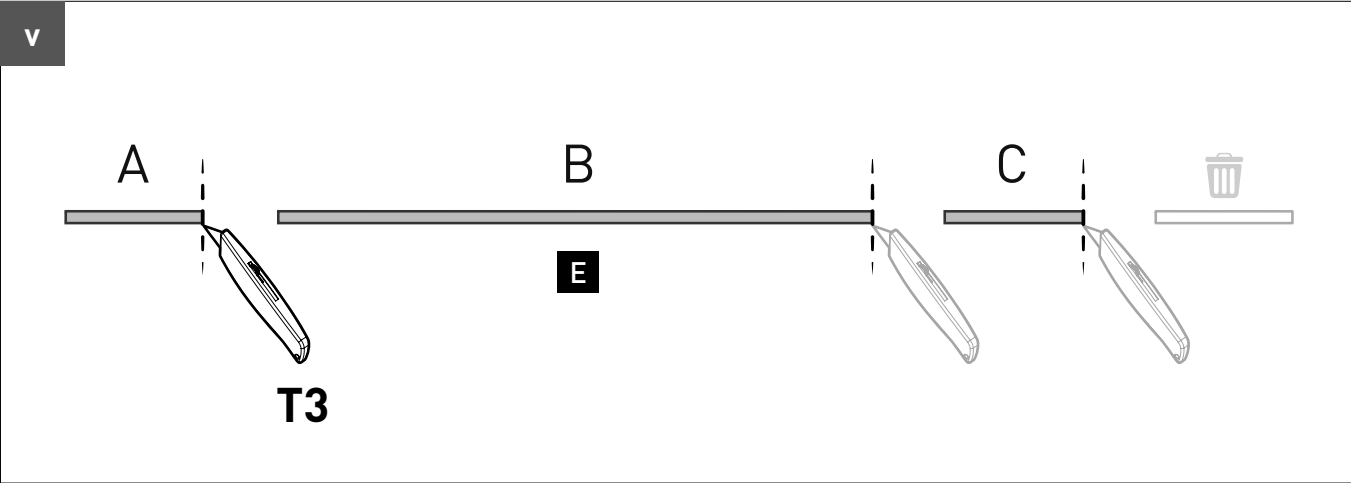
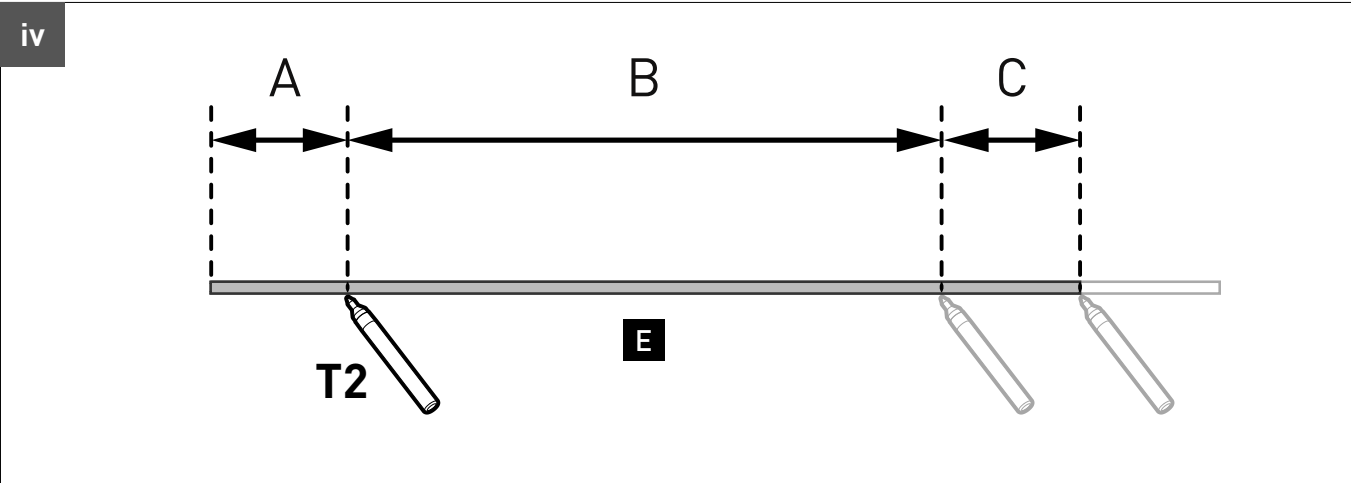
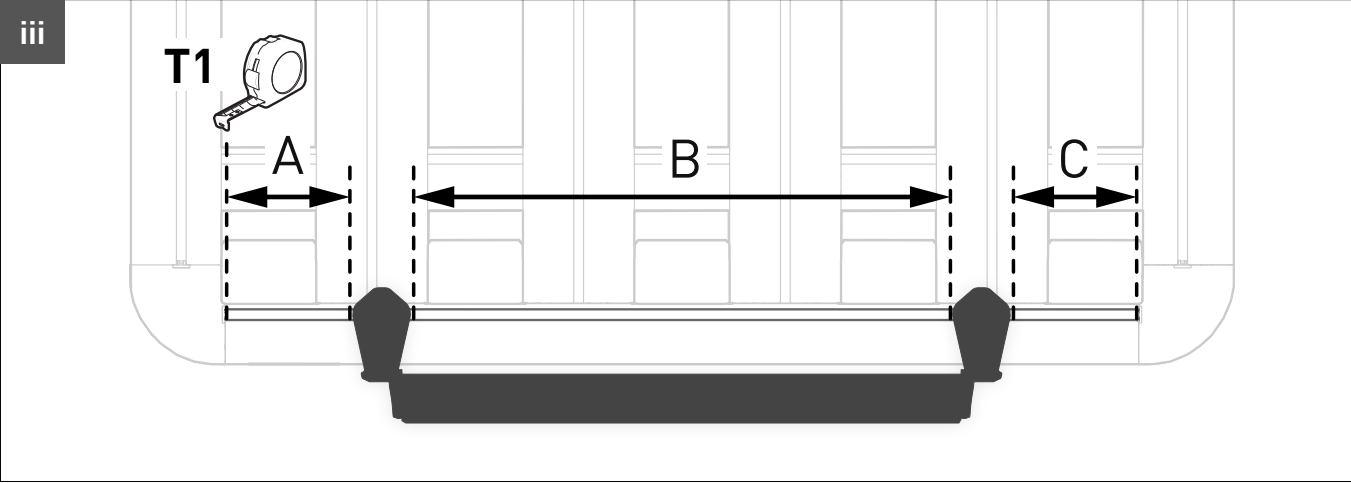
**i**



**ii**

**INSTALL ACCESSORY ACCORDING TO ACCESSORY INSTRUCTIONS**

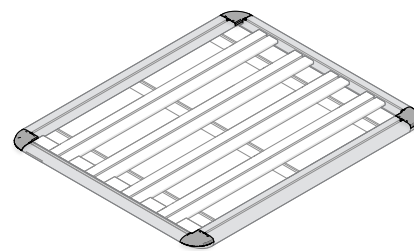
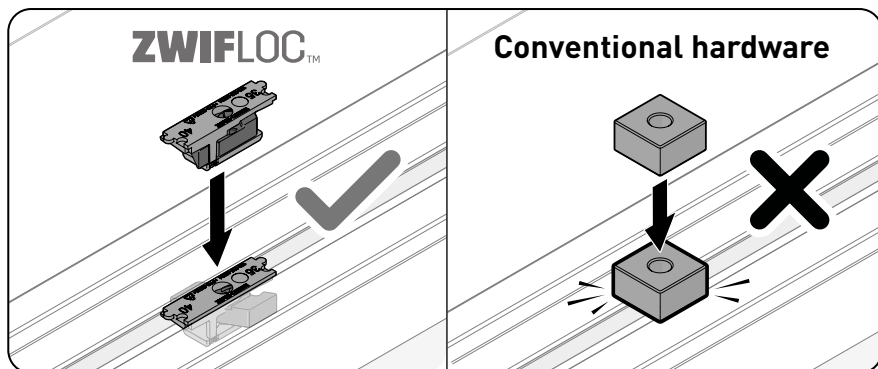




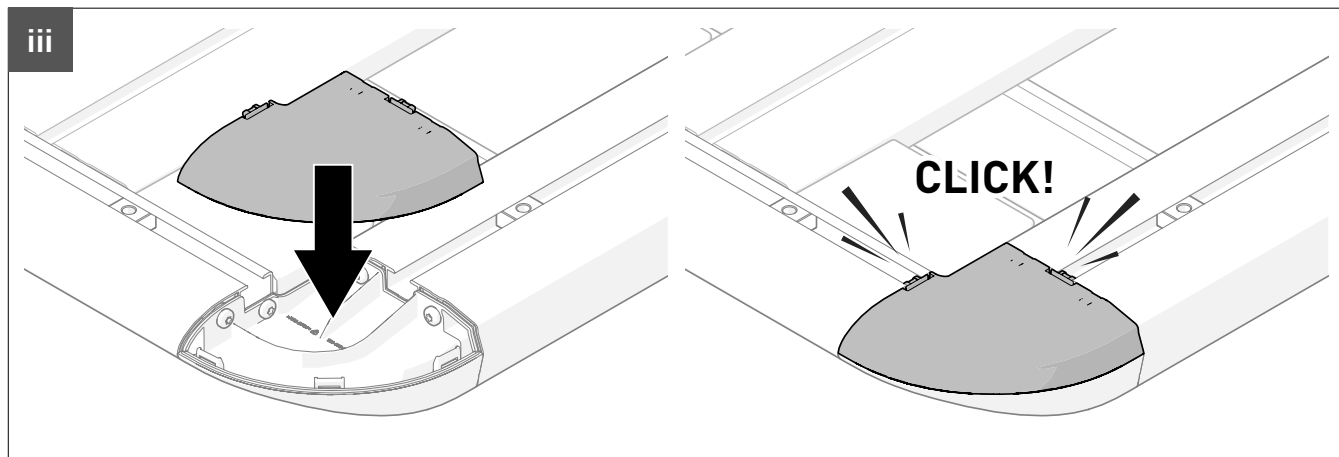
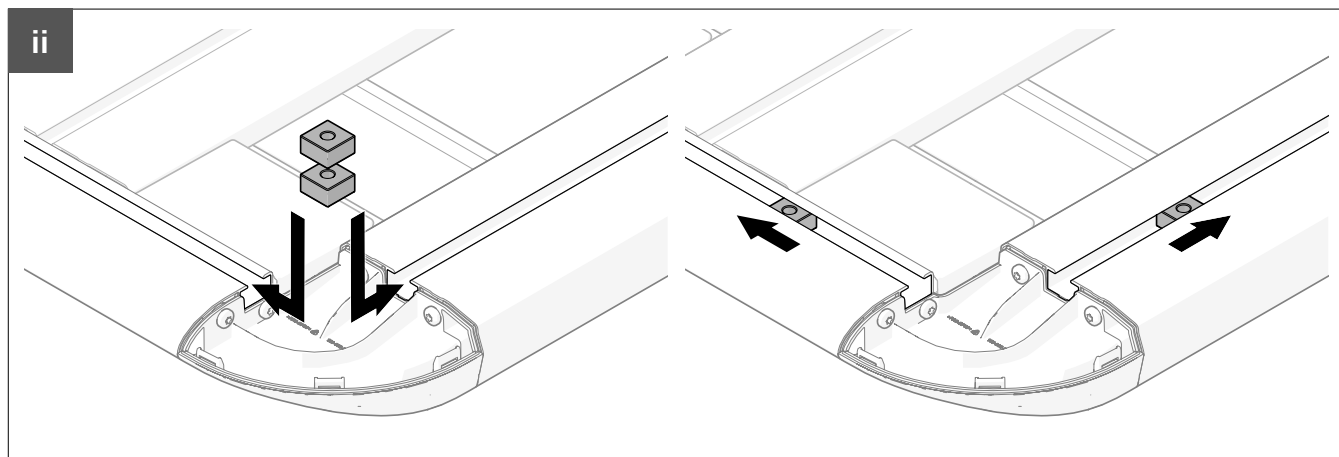
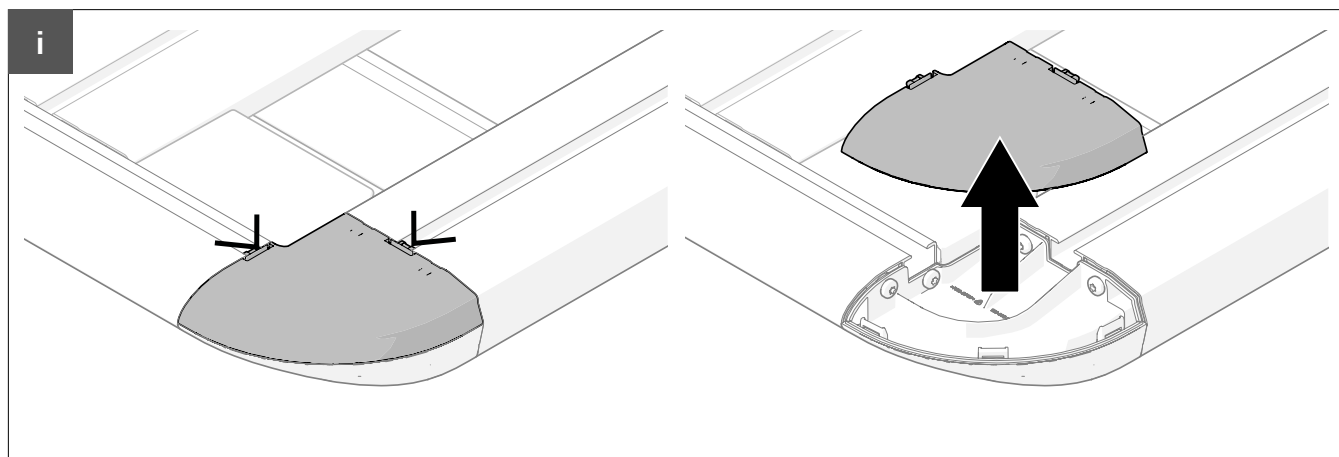
**NOTE 3** **ADDITIONAL STEPS IF FITTING ACCESSORY WITHOUT ZWIFLOC™**

Non-Zwifloc hardware cannot be placed into channels directly.

**Perimeter** channel openings can be accessed via platform corners



**TO GAIN ACCESS TO CHANNEL OPENINGS:**





# NOTES

---

---

---

---

---

---

---

# NOTES

---

---

---

---

---

---

---

---

# NOTES

---

---

---

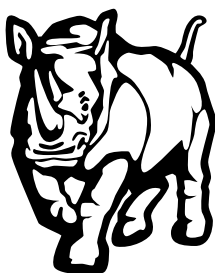
---

---

---

---

---



**RHINO-RACK®**  
MAKE SPACE FOR ADVENTURE

**RHINORACK.COM**

**Rhino-Rack AUSTRALIA**  
22A Hanson Pl,  
Eastern Creek, NSW, 2766

**Rhino-Rack USA**  
19822 East 22nd Ave,  
Aurora, CO, 80011