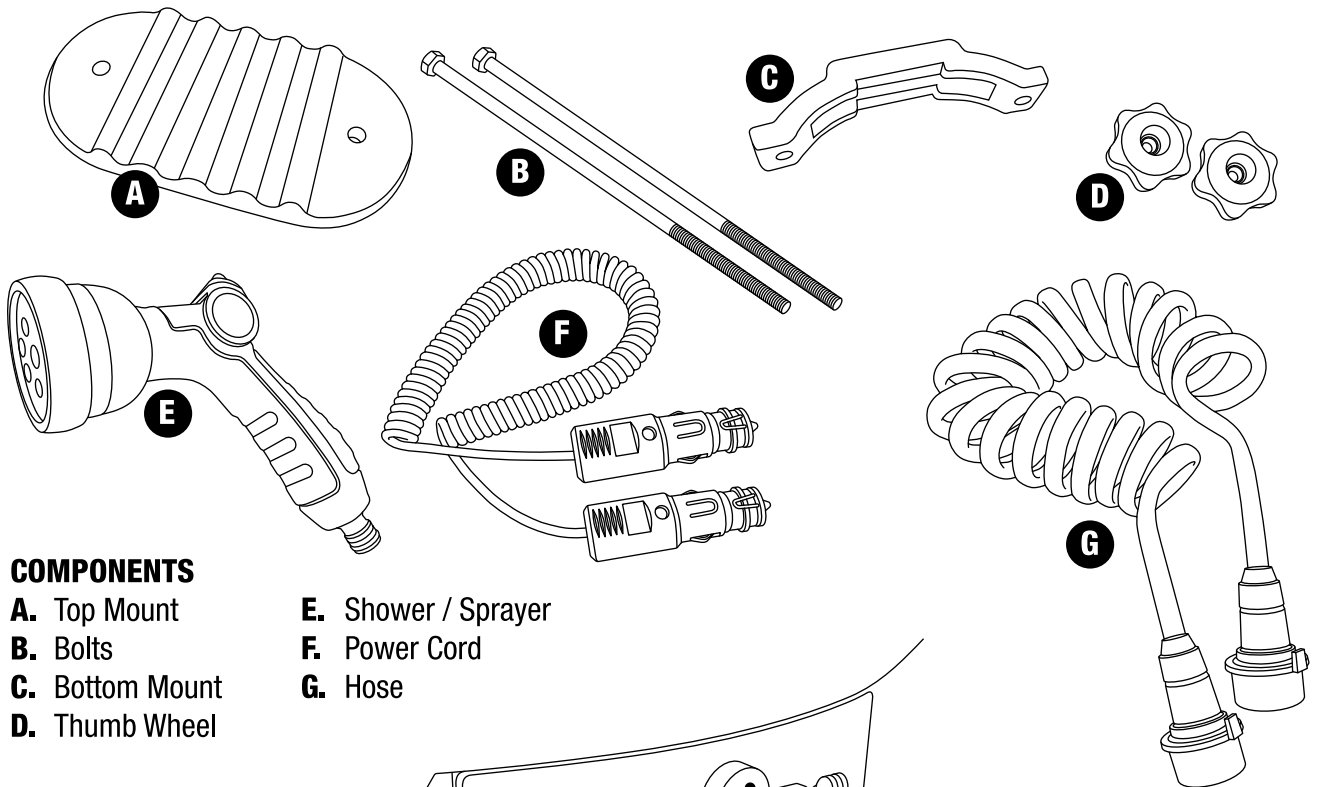


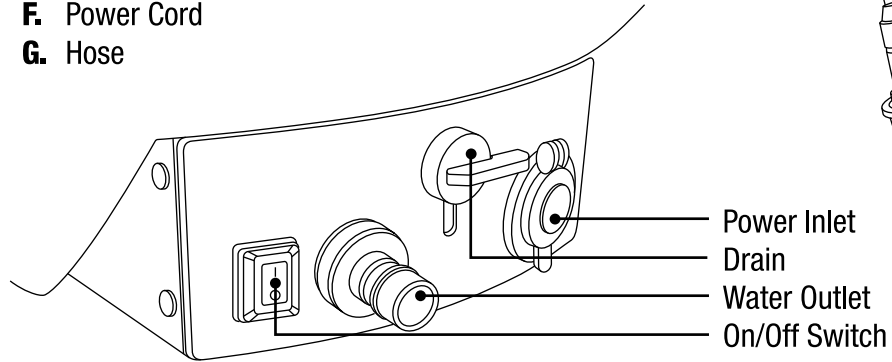
IRONMAN 4x4

30L WATER TANK



COMPONENTS

- A. Top Mount
- B. Bolts
- C. Bottom Mount
- D. Thumb Wheel
- E. Shower / Sprayer
- F. Power Cord
- G. Hose



MOUNTING INSTRUCTIONS

