



## FITMENT INSTRUCTIONS

**Awning Mount to ModCap Family Tent**

For Mid Size, Full Size and Land Cruiser

# DISCLAIMER

---

## Preliminary information

All rights reserved.

No part of this document may be reproduced, translated, stored in a retrieval system. Or transmitted, in any form or by any means, electronic, mechanical, photocopying, recording or otherwise, without prior written permission of the owner. Review all instruction information carefully before installation. Any damages, direct or indirect to the installer and/or property due to incorrect installation of any parts are the responsibility of the installer. Due to the various application and fitment options available, the responsibility lies with the user to ensure all mounting points are secure and tight before every trip. If unsure, consult with your Distributor regarding the operations of our products. Users are advised to be mindful of the load they are carrying and drive in accordance with road conditions.

Service Enquiries email  
[queries@alu-cab.com](mailto:queries@alu-cab.com)



# Installation Instructions

## TOOLS REQUIRED:

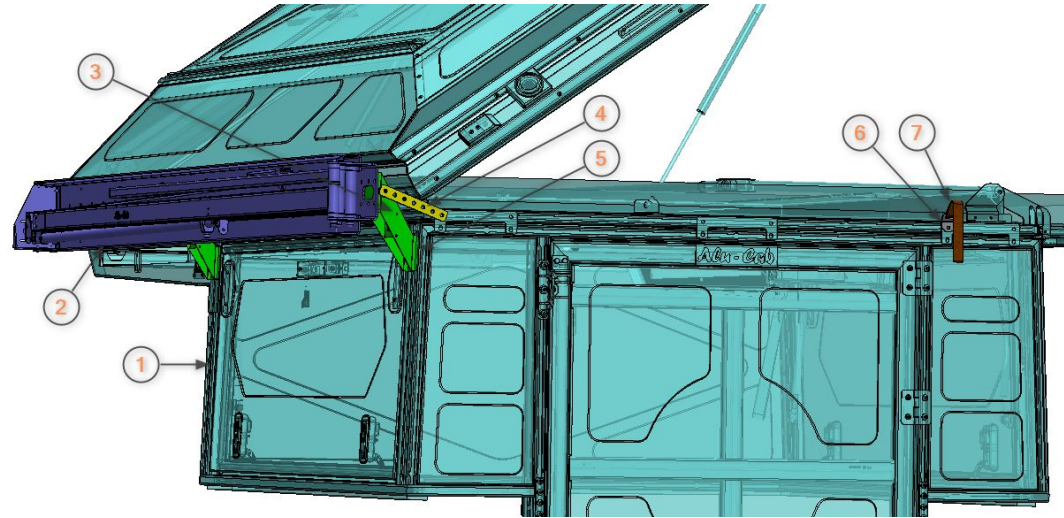
ITEM
SIZE 13 SPANNER
or 13mm SOCKET AND WRENCH
BATTERY DRILL
M8 DRILL BIT
MEASURING TAPE
MARKER OR PENCIL

## FASTENERS SUPPLIED:

ITEM NO.	PART DESCRIPTION	QTY
1	Hex M8x20mm Bolt	8 off
2	M8 Flat Washer S/S	16 off
3	M8 Nyloc Nut S/S	11 off
4	M8 Nut Cap	16 off
5	M8X25mm Bolt	3 off
6	M8 Plastic Washer	1 off

## LIST OF COMPONENTS:

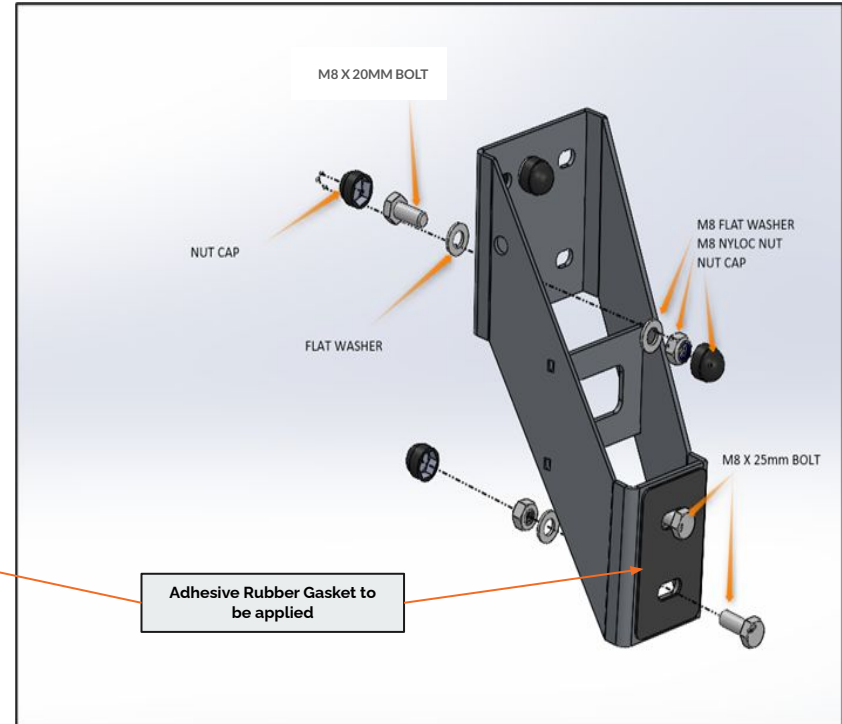
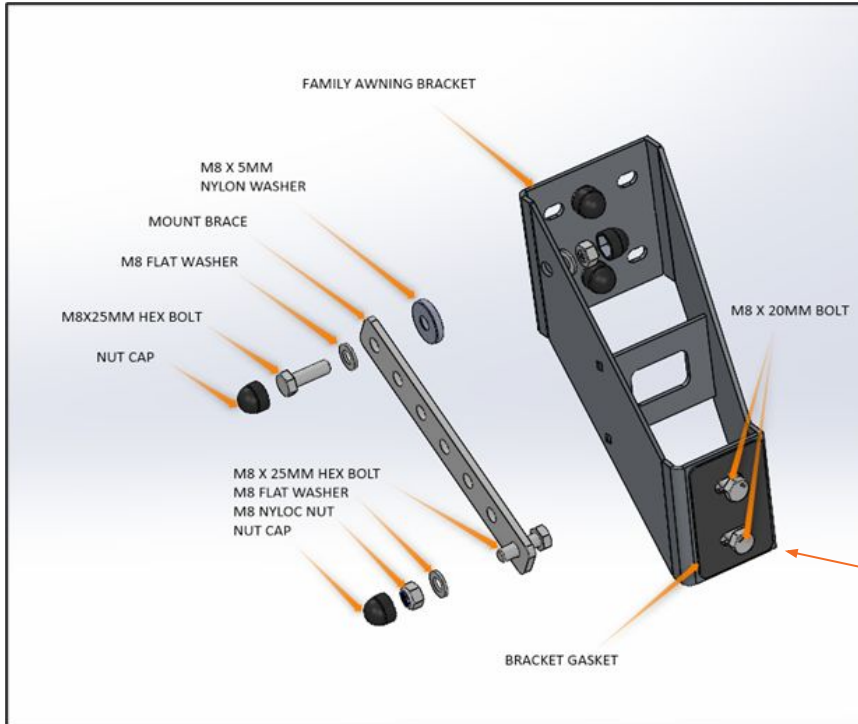
ITEM NO.	PART NUMBER	QTY.
1	ModCap Base - Side load bars (LHS)	1
2	Awning Assembly	1
3	ModCap Family Awning Brackets	2
4	Mounting Brace	1
5	Adhesive Bracket Gasket Rubber	1
6	Family Awning - Strap Clip	1
7	Family Awning Strap	1



NOTE: IMAGES AND COLOURS REPRESENTED IN THIS DOCUMENT ARE FOR ILLUSTRATIVE PURPOSES ONLY AND DO NOT REPRESENT THE ACTUAL PRODUCT.

# Installation Instructions

## Fasteners:



NOTE: IMAGES AND COLOURS REPRESENTED IN THIS DOCUMENT ARE FOR ILLUSTRATIVE PURPOSES ONLY AND DO NOT REPRESENT THE ACTUAL PRODUCT.

# Installation Instructions

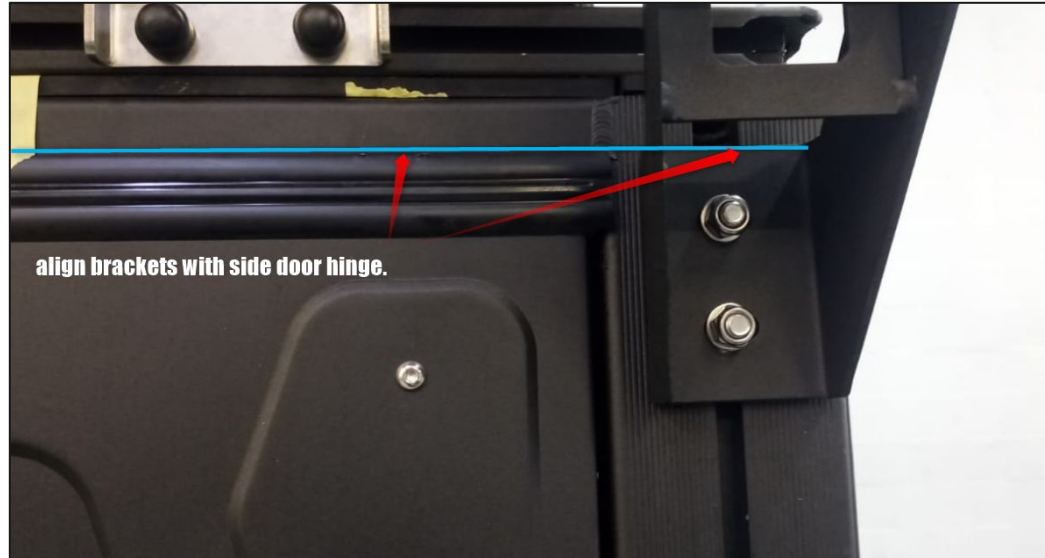
## Step 1.1 : Fit ModCap Family Awning Brackets to ModCap Base - Front & Rear:

For MS and LC version brackets, Ensure to insert 2 x M8 x 20mm bolts into the load bars first . Apply a piece of paper as a stopper inside the load bar so that the bolts do not slide all the way down. Next apply the adhesive Rubber Gasket supplied to the awning bracket and ensure to align the slots.

Fit the Awning Brackets over the located bolts and align the Rear bracket edge with the top edge of the side door hinge. **Note if a LHS rear molle is fitted to the vehicle ensure the rear bracket mounts through the existing slots and holes.**

Locate the bracket centrally over the load bar vertical frame.

Fix the brackets in place with the washers and nuts supplied and add nut caps over all nuts to suit.



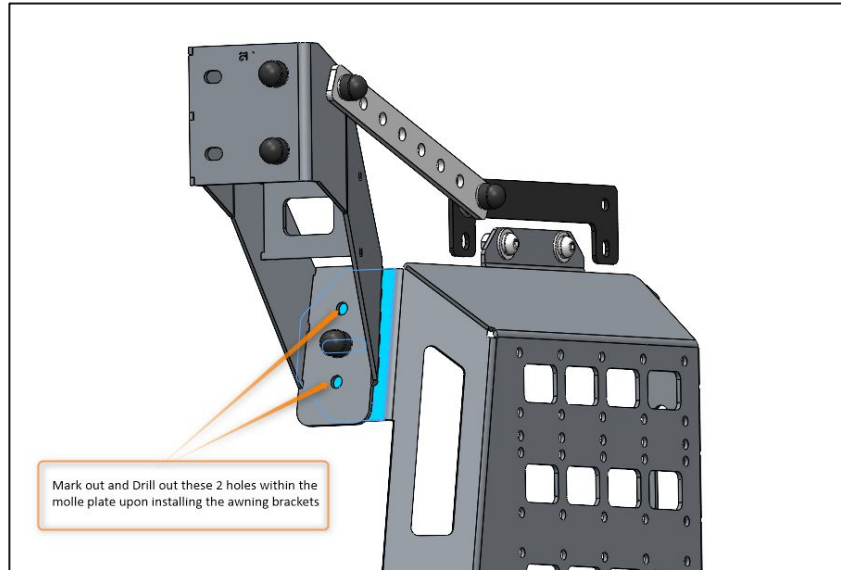
Make use of 2 x M8 x 20mm bolts, washers, Nyloc nuts and nut caps for this step (Rear Bracket).  
Note: If a Molle Plate is installed make use of M8x25mm bolts.

# Installation Instructions

## Step 1.2 : Fit ModCap Family Awning Brackets to ModCap Base - Front & Rear:

For FS version Rear Brackets, 3 mounting points to the side load bars can be seen, this is so that the bracket is adaptable with the rear molle plate. Ensure the middle slot of the bracket aligns within the molle plate fixing point.

Mark and Drill the 2 holes seen below through the Molle Plate and fix as per previous instruction. Front brackets mount as per MS version front brackets.

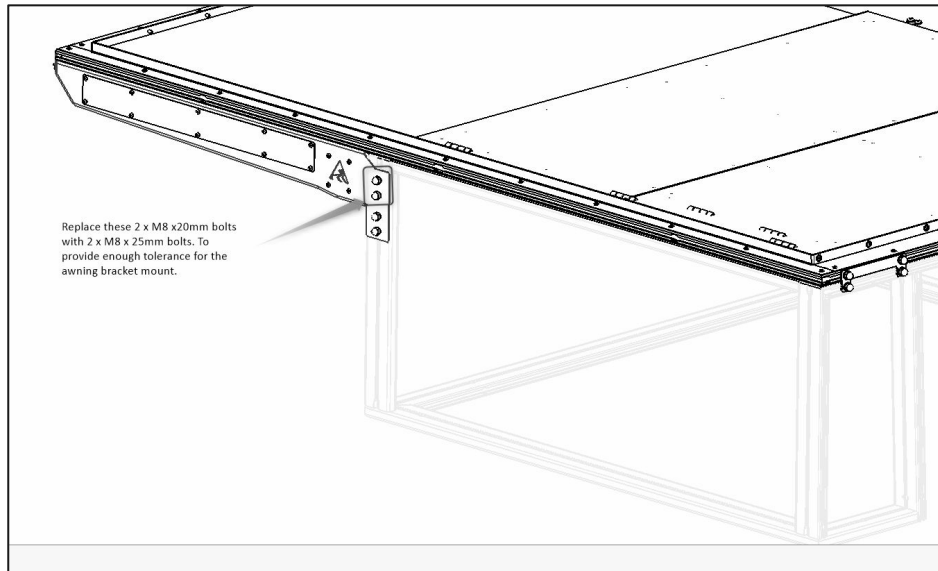


If a molle plate is fitted to the vehicle Make use of M8 x 25mm bolts, washers, Nyloc nuts and nut caps for this step (Rear Bracket).

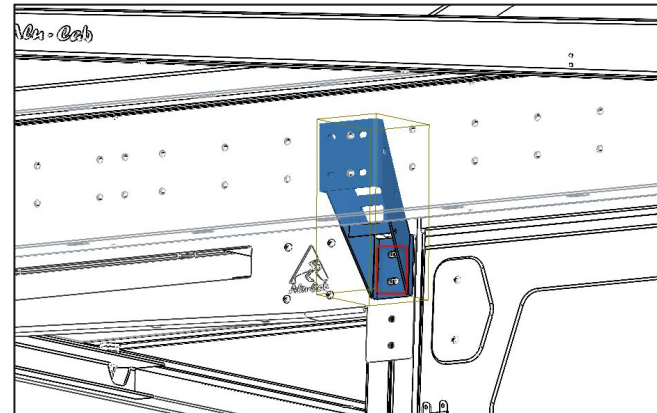
# Installation Instructions

## Step 1.3 : Fit ModCap Family Awning Brackets to ModCap Base - Fwd & Aft:

To fit the Fwd bracket for all versions, ensure the tent mounting brace is removed in order to replace the 2 x M8 x 20mm bolts with 2 x M8 x 25mm bolts. This will ensure enough thread for mounting the awning bracket in place. Align the fwd bracket with the TMK mount holes and fix to suit. See images below location of bracket over the tent mounting brace.



Make use of 2 x M8 x 25mm bolts, washers, Nyloc nuts and nut caps for this step (Front Bracket).





# Installation Instructions

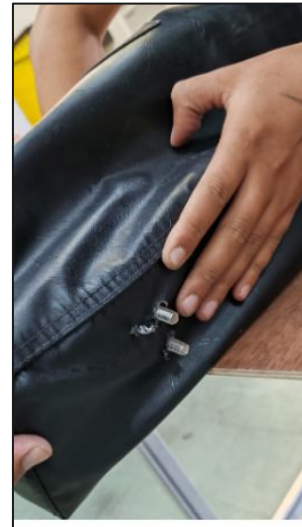
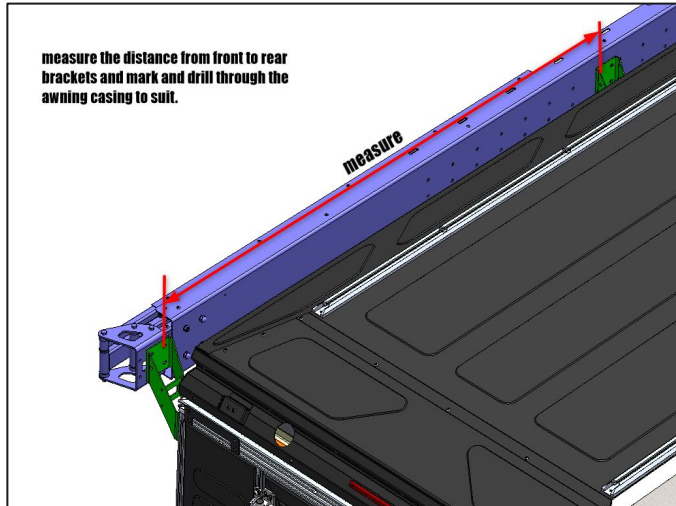
## Step 2: Fit The Awning to Brackets:

Upon fitting the awning, Measure the distance from the center of the slot holes between the front and rear brackets and mark these points onto the awning aluminium casing from the inside. Align the 4 holes of the rear bracket which is already fixed to the awning with the rear awning mounting bracket fixed to the vehicle.

If no holes are aligning with the awning front bracket Drill 2 x M8 holes through the casing and the awning bag where the bolts would need to pierce through. (Clean out metal shavings prior to installation)

Fit the bolts through the awning casing as seen below in figure 3 and align the awning into the awning brackets, slightly tighten in place and confirm awning is still in alignment.

Once aligned tighten the awning and enclose nuts with the nut caps to suit.



Make use of 8 x m8 x 20mm bolts, Nyloc nuts, flat washers, and nut caps.



Tighten awning using a 13mm spanner and 13mm socket with ratchet.



# Installation Instructions

## Step 3: Fit Mounting Brace

Fit the mounting brace to the rear awning support bracket and family tent brace as shown. Make use of 1 x m8 x 25mm bolt, 1 x 5mm nylon washer, 2 x flat washers and 1 x nyloc nut to fix to the awning support bracket. For the family tent brace connect the mounting brace to the top hole on the left side by swapping out the bolt with an m8 x 25mm bolt.

**NOTE: Please see below different configurations for FS and MS spacer location.**

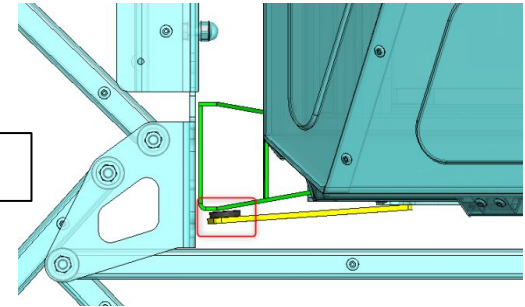


Mounting Brace

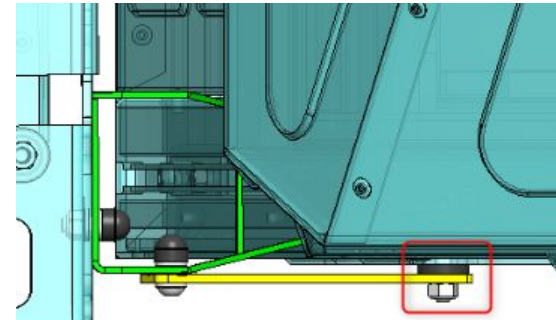
ModCap Family Tent Brace

Awning Support Bracket

DC & XC Spacer Location



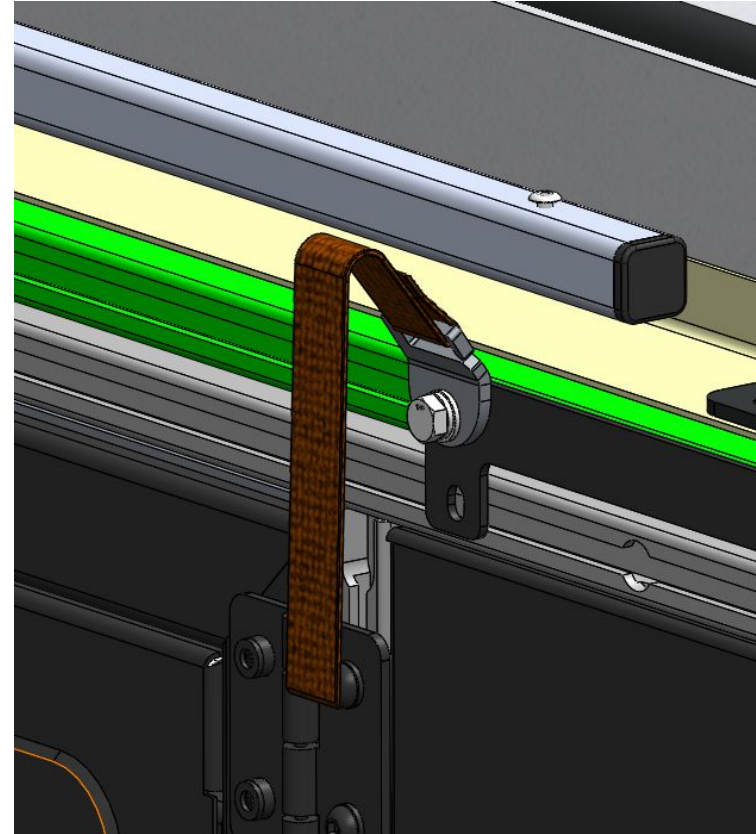
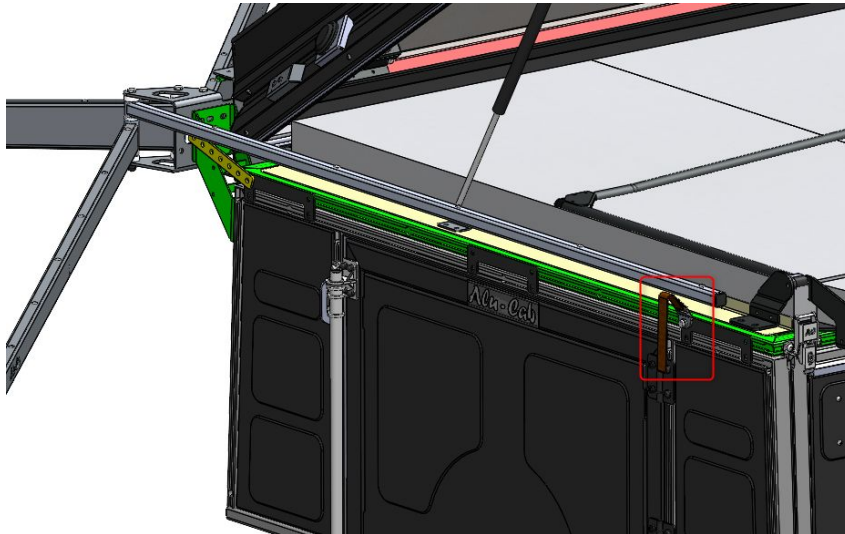
FSS, FSL, LCD & LCS Spacer Location



# Installation Instructions

## Step 4: Fixing the Awning in place when open

Replace the bolt with a 20mm bolt as shown and locate the strap clip over the hole to tie down the Awning when opened. The strap will then clip into the cambelt strap included with the Awning and will be stored along with the awning when closed.



# Disclaimer

---

All rights reserved. No part of this website may be reproduced, translated, stored in a retrieval system, or transmitted, in any form or by any means, electronic, mechanical, photocopying, recording or otherwise, without prior written permission of the owner.

**Review all instructions information carefully before installation.**

Any damages, direct or incidental to the installer and/or property due to incorrect installation of any parts are the responsibility of the installer. Due to the various applications and fitment options available, the responsibility lies with the user to ensure all mounting points are secure and tight before every trip.

If unsure, consult with your Distributor regarding the operations of our products.

Users are advised to be mindful of the load they are carrying and drive in accordance with road conditions.

## **WARNING**

Always wear appropriate PPE (Personal protection equipment) when fitting our products. Although the mounting kit is designed to be DIY, if you have any doubts or concerns, contact an accredited fitment centre to carry out the work. Alu-Cab will not be liable for any injury to persons, and/or damage to products and/or vehicles.

While Alu-Cab Holdings takes reasonable measures to ensure that the contents of this Website are accurate and complete, Alu-Cab Holdings makes no representations or warranties, whether express or implied, as to the quality, timeliness, operation, integrity, availability or functionality of this Website or as to the accuracy, completeness or reliability of any information on this Website. Alu-Cab Holdings reserves the right to make changes, corrections and/or improvements to the information and to the products and programs described in such information, at any time without notice.

Alu-Cab Holdings will use reasonable endeavours to maintain the availability of the Website, except during scheduled maintenance periods, and reserves the right to discontinue providing the Website or the service or any part thereof with or without notice to you. Any person who accesses this Website or relies on this Website or on the information contained in this Website does so at his or her own risk.

Occasionally, at our discretion, we may include or offer third-party products or services on our website. These third-party sites have separate and independent privacy policies. We therefore have no responsibility or liability for the content and activities of these linked sites. Nonetheless, we seek to protect the integrity of our site and welcome any feedback about these sites.