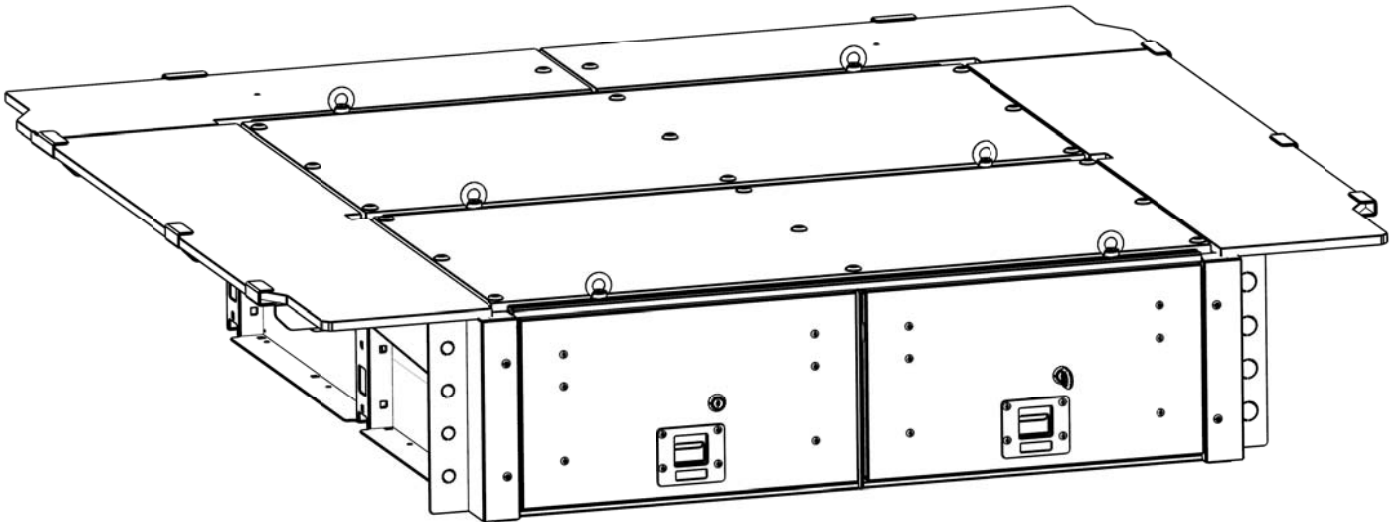




INSTALL TIME: 1 Hour



Thank you for purchasing a Front Runner Storage System.

This Storage System is made up of the following components:

1. A Drawer System - SDDR010
2. A Deck Support System - SSWS001
3. A Vehicle Specific Deck Set - SSDS401

Before you start, take a moment to familiarize yourself with these Fitting Instructions and all the components received. Depending on the vehicle not all components received will be used. Refer to Pages 2 & 3 for a list of all the components and quantities of required.

IMPORTANT WARNING!

IT IS CRITICAL THAT ALL FRONT RUNNER PRODUCTS BE PROPERLY AND SECURELY ASSEMBLED AND ATTACHED TO YOUR VEHICLE. IMPROPER ATTACHMENT COULD RESULT IN AN AUTOMOBILE ACCIDENT, AND COULD CAUSE SERIOUS BODILY INJURY OR DEATH TO YOU OR TO OTHERS. YOU ARE RESPONSIBLE FOR ASSEMBLING AND SECURING ALL FRONT RUNNER PRODUCTS TO YOUR VEHICLE, CHECKING THE ATTACHMENTS PRIOR TO USE, AND PERIODICALLY INSPECTING THE PRODUCTS FOR ADJUSTMENT, WEAR, AND DAMAGE. THEREFORE, YOU MUST READ AND UNDERSTAND ALL OF THE INSTRUCTIONS AND CAUTIONS SUPPLIED WITH YOUR FRONT RUNNER PRODUCT PRIOR TO INSTALLATION OR USE. IF YOU DO NOT UNDERSTAND ALL OF THE INSTRUCTIONS AND CAUTIONS, OR IF YOU HAVE NO MECHANICAL EXPERIENCE AND ARE NOT THOROUGHLY FAMILIAR WITH THE INSTALLATION PROCEDURES, YOU SHOULD HAVE THE PRODUCT INSTALLED BY A PROFESSIONAL INSTALLER OR OTHER QUALIFIED PERSONNEL.

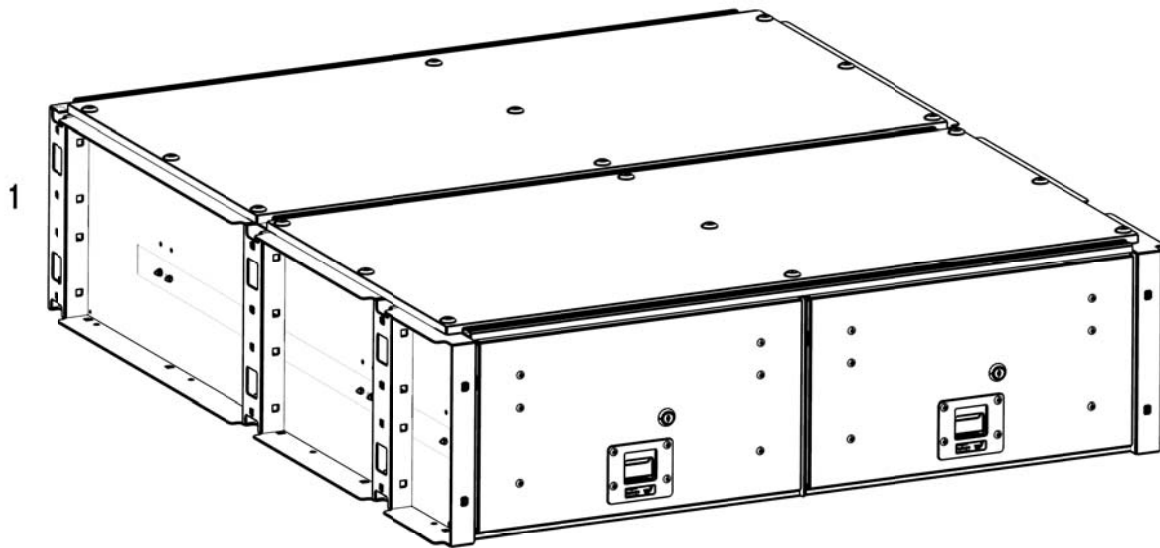
1 GET ORGANIZED...

Here is what you are looking at for SDR010:

| Item # | Quantity | Description |
|--------|----------|---------------------|
| 1 | 1 | TWIN DRAWER SYSTEM |
| 2 | 4 | TURNBUCKLE |
| 3 | 4 | WING NUT |
| 4 | 4 | D-RING |
| 5 | 4 | M6 x 20 HEX BOLT |
| 6 | 4 | M6 SPRING WASHER |
| 7 | 4 | M6 x 19 FLAT WASHER |
| 8 | 6 | EYE NUT |
| 9 | 6 | STUD PLATE |
| 10 | 6 | NYLON WASHER |
| 11 | 4 | 60mm C-HOOK |
| 12 | 2 | M8 x 16 HEX BOLT |
| 13 | 2 | M8 CHANNEL NUT |
| 14 | 2 | M8 x 25 FLAT WASHER |
| 15 | 2 | M8 SPRING WASHER |
| 16 | 1 | TRACK |

You will need:

- 10 mm Flat & Socket Wrench
- 4 mm Hex Key
- a Friend
- Measuring Tape
- Suitable Marker Pen
- Drill Machine
- 6.5 mm Drill Bit



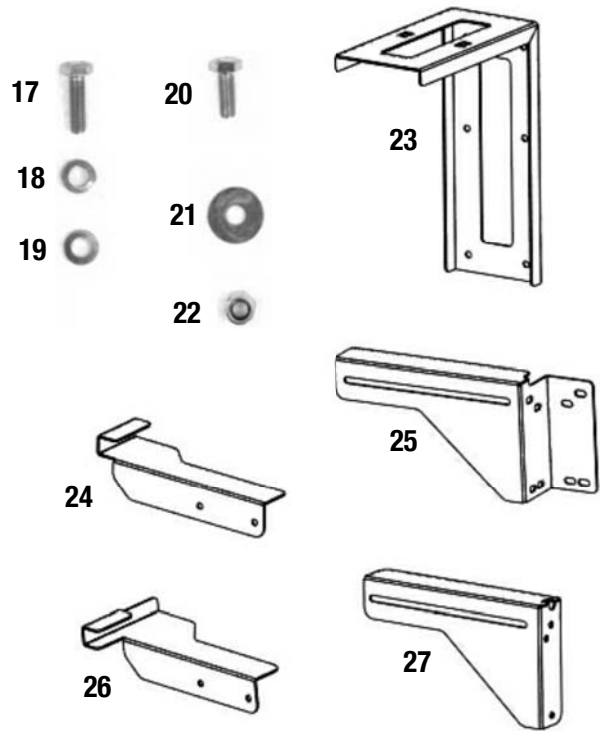
16



1 GET ORGANIZED CONT...

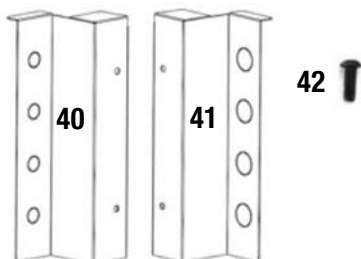
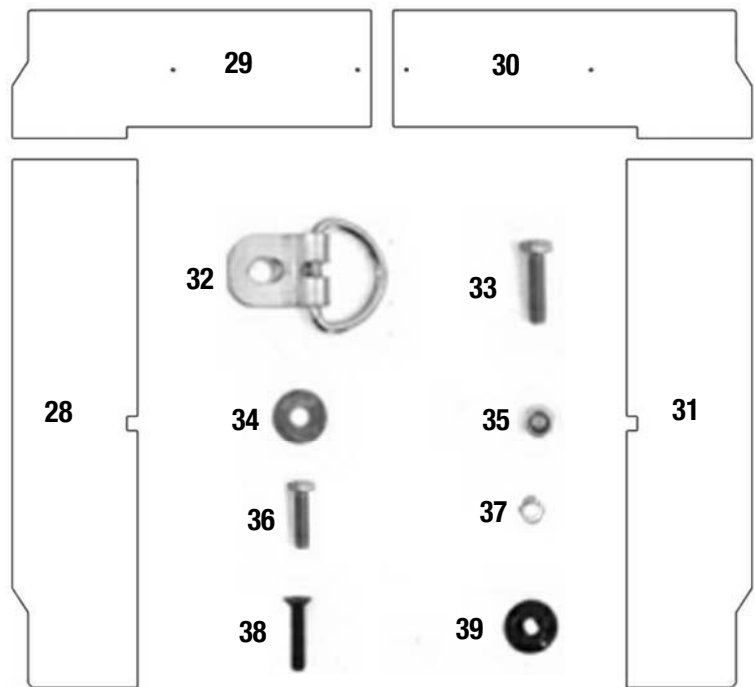
Here is what you are looking at for SSWS001:

| Item # | Quantity | Description |
|--------|----------|--------------------------------------|
| 17 | 11 | M6 x 20 HEX BOLT |
| 18 | 11 | M6 SPRING WASHER |
| 19 | 16 | M6 FLAT WASHER |
| 20 | 16 | M6 x 16 HEX BOLT |
| 21 | 27 | M6 x 19 FLAT WASHER |
| 22 | 16 | M6 NYLOC NUT |
| 23 | 1 | REAR SUPPORT |
| 24 | 6 | WING SLIDER TYPE 1 - 3 LEFT, 3 RIGHT |
| 25 | 4 | CORNER WING - 2 LEFT, 2 RIGHT |
| 26 | 2 | WING SLIDER TYPE 2 - 1 LEFT, 1 RIGHT |
| 27 | 4 | SIDE WING - 2 LEFT, 2 RIGHT |



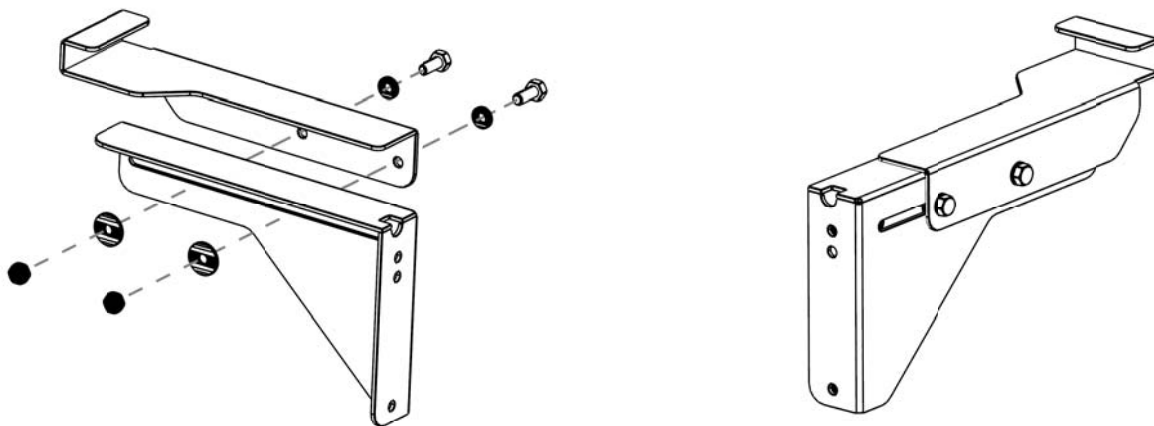
Here is what you are looking at for SSDS401:

| Item # | Quantity | Description |
|--------|----------|--------------------------|
| 28 | 1 | FRONT LEFT DECK |
| 29 | 1 | REAR LEFT DECK |
| 30 | 1 | REAR RIGHT DECK |
| 31 | 1 | FRONT RIGHT DECK |
| 32 | 2 | D-RING |
| 33 | 2 | M6 x 25 HEX BOLT |
| 34 | 6 | M6 x 19 FLAT WASHER |
| 35 | 6 | M6 NYLOC NUT |
| 36 | 2 | M6 x 20 HEX BOLT |
| 37 | 2 | M6 SPRING WASHER |
| 38 | 2 | M6 x 25 COUNTERSUNK BOLT |
| 39 | 2 | M6 FINISHING WASHER |
| 40 | 1 | LEFT HAND FRONT FACE |
| 41 | 1 | RIGHT HAND FRONT FACE |
| 42 | 4 | M6 x 16 BUTTON HEAD BOLT |

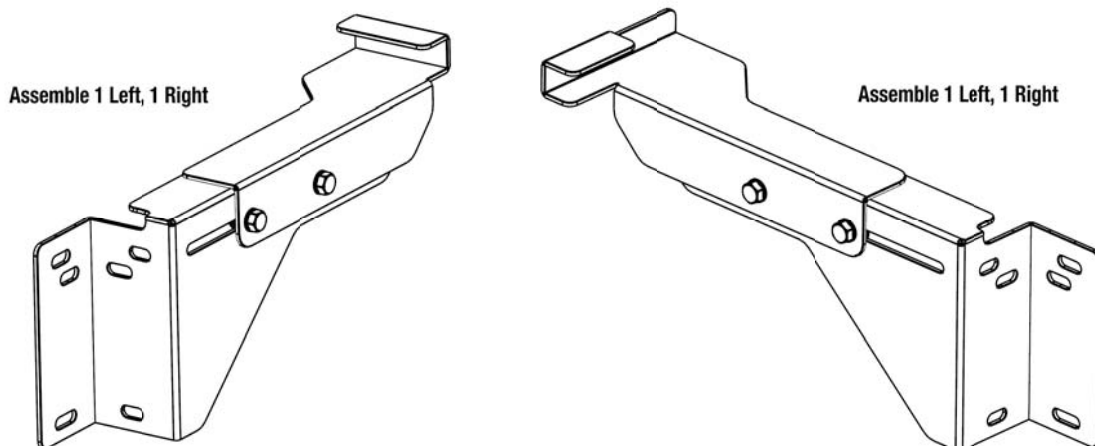


2 PREPARE FOR INSTALLATION

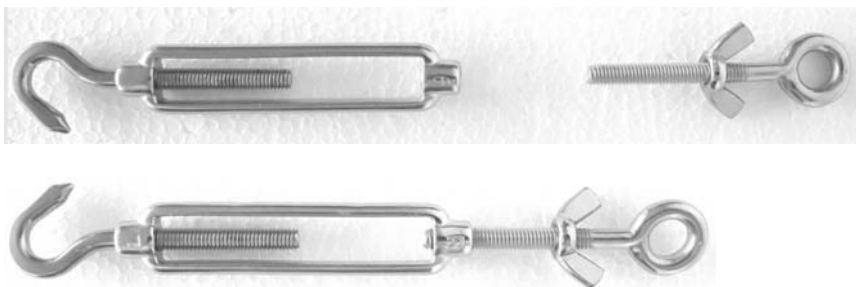
- (A) Loosely assemble the left and right hand Side Wing Sets (Items 24, 27) as shown below using two M6 x 16 Hex Bolts, two M6 Flat Washers, two M6 x 19 Flat Washers and two M6 Nyloc Nuts as shown (Items 19, 20, 21, 22) received with SSWS001.



- (B) Using Step 2A as a guide, loosely assemble the Corner Wings (Items 24, 25, 26) as shown.

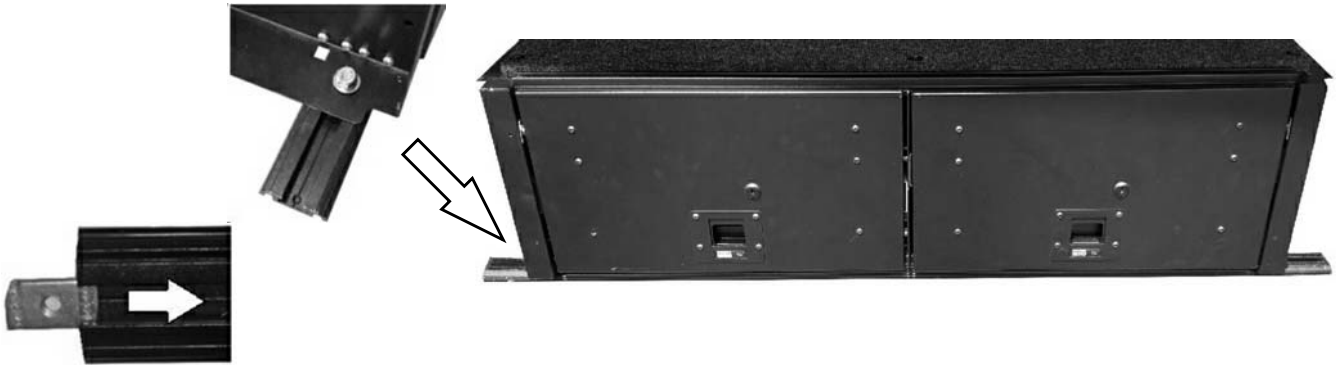


- (C) Loosen the round end of the four Turn Buckles (Item 2) supplied with SSSDR010. Screw a M6 Wing Nut (Item 3) onto each round end and reassemble the Turn Buckles as shown.

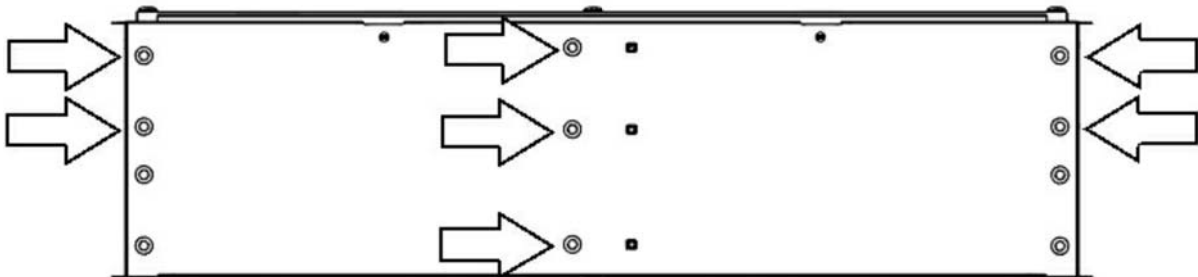


2 PREPARE FOR INSTALLATION CONT...

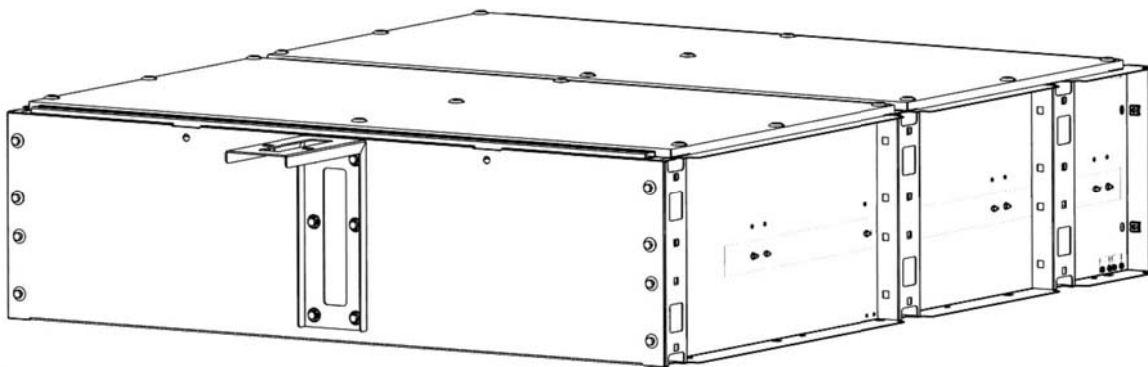
- (D) Slide a Channel Nut (Item 13) into each end of the Track (Item 16). Place the Track under the front of the Drawer System and line the Channel Nuts in the Track up with the mounting holes in the front corners of the Drawer System. Loosely secure the Track to the Drawer System using the two M8 x 16 Hex Bolts, two M8 x 25 Flat Washers and two M8 Springs Washers (Items 12, 14 15). Center the Track from left to right and fasten.



- (E) Looking at the rear of the Drawer System, remove the bolts as indicated by the arrows. Keep the bolts and washers safe as they will be used at a later stage.



- (F) Using six M6 x 20 Hex Hex Bolts, six M6 Spring Washers and six M6 x 19 Flat Washers removed in Step 2E, secure the Rear Support (Item 23) to the back of the Drawer System as shown.

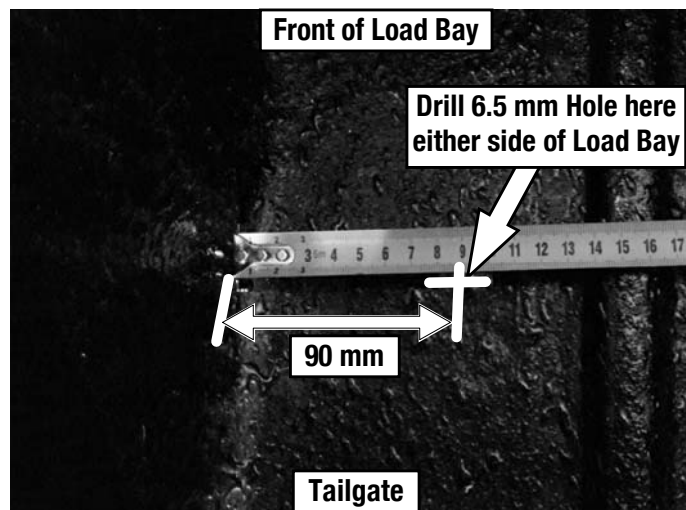
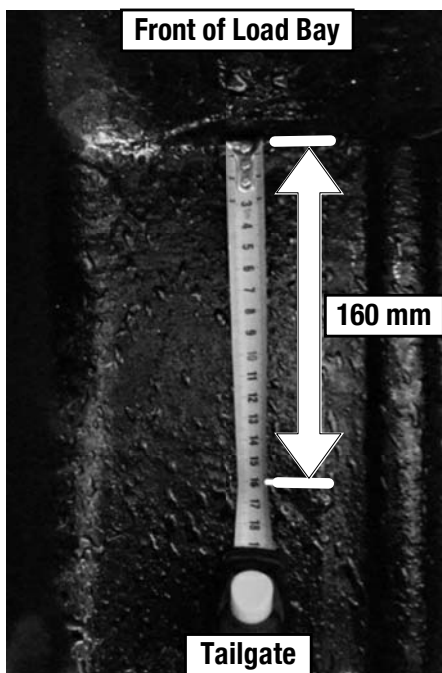


2 PREPARE FOR INSTALLATION CONT...

- (G) Looking from the front of the Drawer System, loosely secure a D-ring (Item 4) supplied with SSDR010 to the top of each first support pillar using a M6 x 20 Hex Bolt, M6 Spring Nut and M6 x 19 Flat Washer (Items 5, 6 & 7) supplied with SSDR10 as shown below.

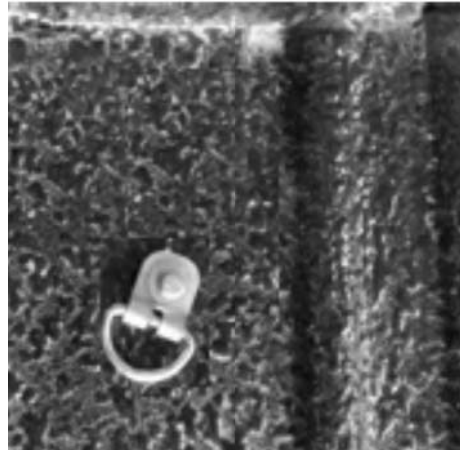


- (H) Working at the front of the load bay, make a mark on either side of the load bay, 160 mm in from the rear of the load bay and 90 mm in from the side of the load bay. Drill a 6.5 mm hole on each of your markings



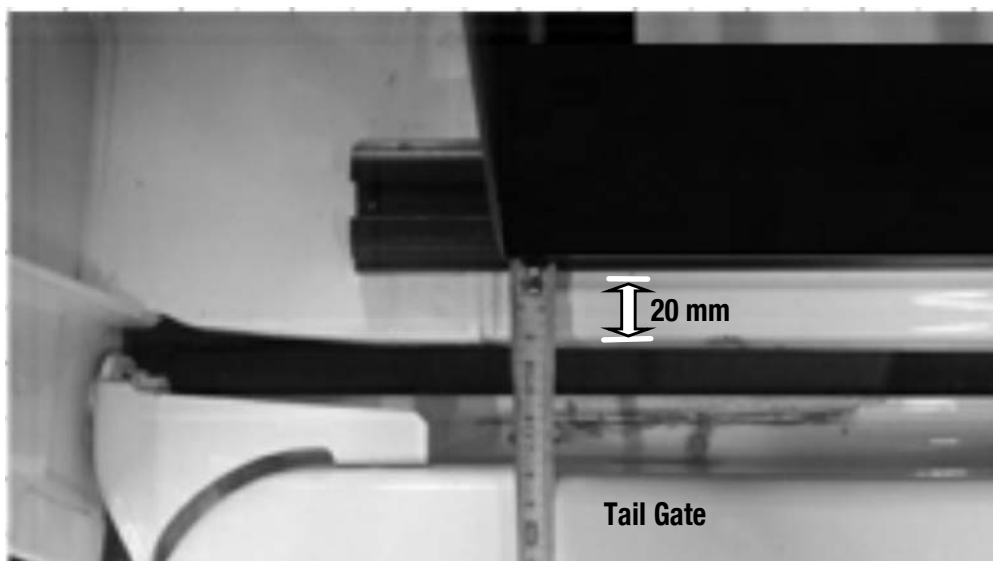
2 PREPARE FOR INSTALLATION CONT...

- (I) Secure the two D-rings (Item 32 received with SSDS401) to the inside of the vehicle's load bay. You will be bolting through the two 6.5 mm holes drilled in Step 2G using a two M6 x 25 Hex Bolts, four M6 x 19 Flat Washers and a two M6 Nyloc Nuts (Items 33, 34, 35 received with SSDS401) as shown.



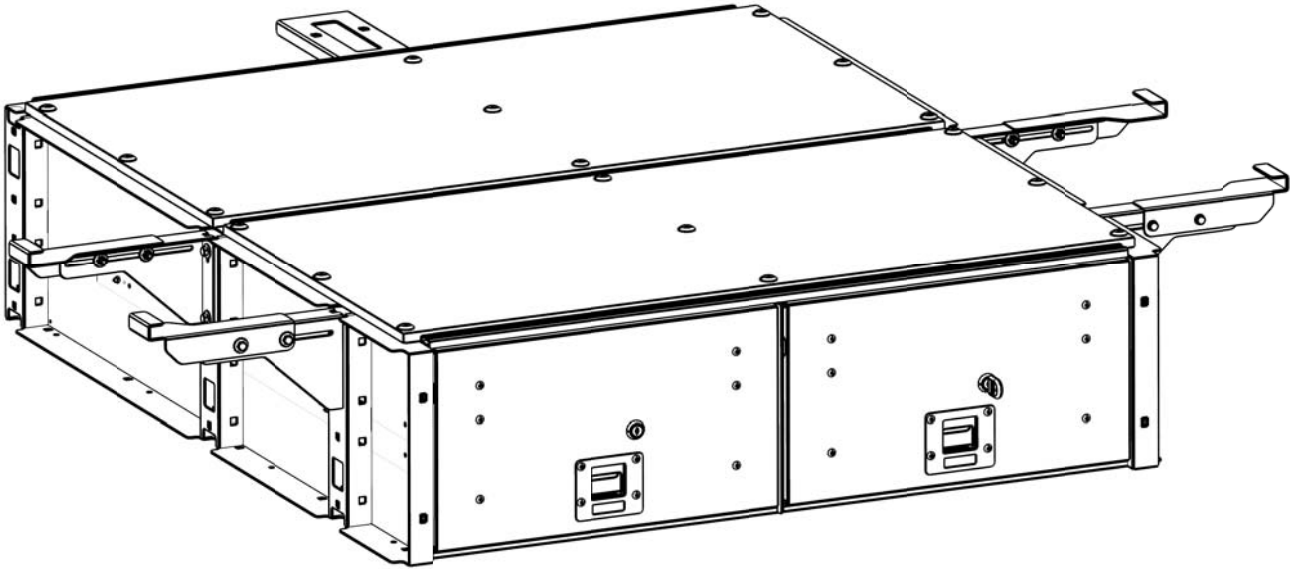
3 INSTALL DRAWER SYSTEM

- (A) Lift the Drawer System (Item 1) into the vehicle's load bay and position it 20 mm in from the front of the load bay and center it from left to right.

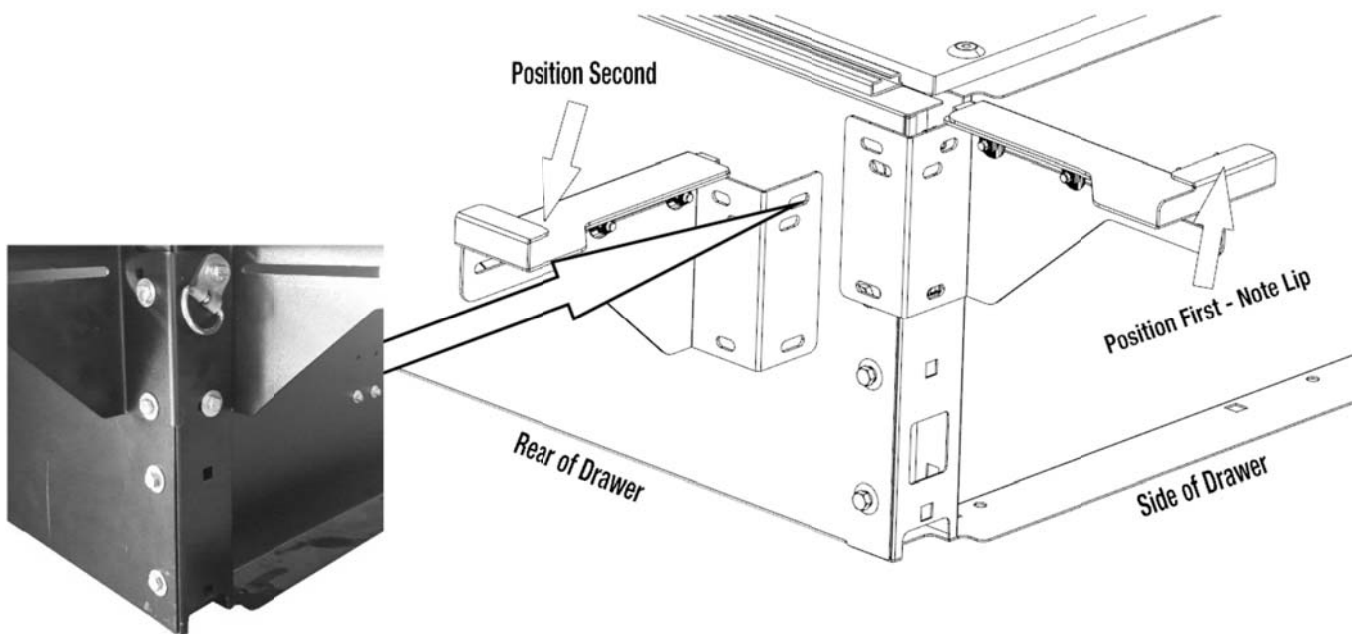


3 INSTALL DRAWER SYSTEM CONT...

- (B) Secure the Side Wing Assemblies from Step 2A to the Drawer System using eight M6 x 16 Hex Bolts, eight M6 Spring Washers and eight M6 Flat Washers (Items 18, 20, 21) received with SSW0001 as shown.



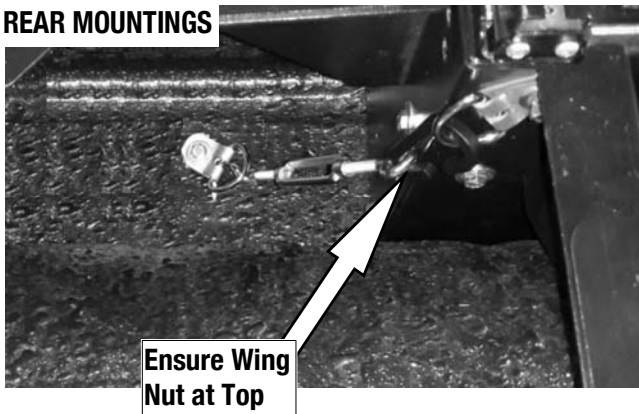
- (C) Position the Corner Wing Assemblies from Step 2B over the corners of the Drawer as shown. Secure the Assemblies to the Drawer using the remaining M6 x 20 Hex Bolts, M6 x 19 Flat Washers and M6 Spring Washers. When securing the TOP mounting on the side of the Drawer, loosely fasten a D-Ring (Item 4) to each corner as shown.



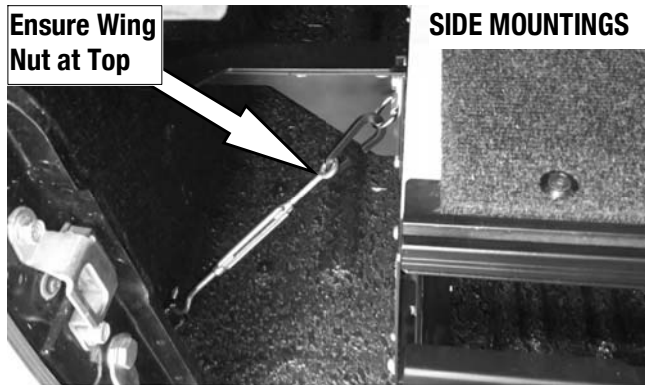
3 INSTALL DRAWER SYSTEM CONT...

- (D) Secure the rear of the Drawer System to the D-rings fitted in Step 2H using a C- hook and Turn Buckle (Items 2, 11) each side. Secure the side/ front mountings to the vehicle's tie down rings using the remaining C-hooks and Turn Buckles. Ensure the Wing Nut goes towards the top of the Drawer System. When tightening the Turn Buckles ensure that the Drawer System remains centered left to right and 20 mm from the front. Once the Drawer is secure in position tighten the wing nuts on the Turn Buckles and the Bolts securing the D-rings to the Drawer System and the vehicle's load bay .

REAR MOUNTINGS



Ensure Wing Nut at Top

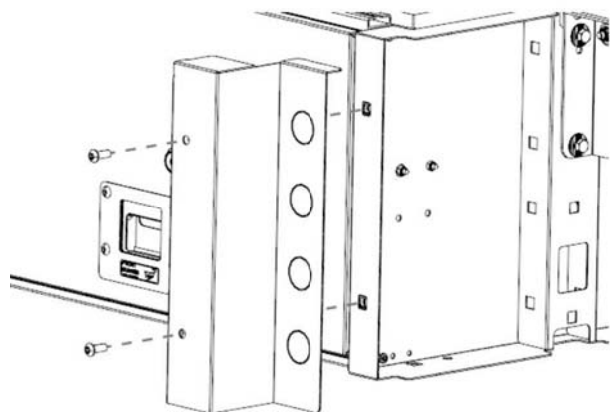


SIDE MOUNTINGS

- (E) Fit the Side and Rear Decks (Items 28, 29, 30, 31) into position, by "clipping" the outer edge of the Decks into the Wing Sliders (Items 24 & 26) and pushing the Decks towards the outside of the vehicle, thereby adjusting the Slider to the correct length. Once you are happy with the length of the Slider, carefully remove the Decks taking care not to move the Sliders and fasten the two bolts on each Slider, locking it into position.

- (F) Secure the center of the Rear Decks to the Rear Support (Item 23) using the two M6 x 25 Countersunk Bolts and two M6 Finishing Washers (Items 38 & 39).

- (G) Assemble the two Front Faces (Items 40, 41) to the front of the Drawer System using the four M6 x 16 Button Head Bolts (Items 42) supplied.



3 INSTALL DRAWER SYSTEM CONT...

(H) Congratulations, you have completed your installation. Take a step back and admire your work. Good Job!



4 INSTALL OTHER VEHICLE AND RACK ACCESSORIES

(A) Now's the time to visit your favorite Front Runner dealer in person or online.