**READ ME !**

Thank you for purchasing a Front Runner Vertical Jerry Can Holder.

Before you start, take a moment to familiarize yourself with the Fitting Instructions and the components received.

Refer to Page 2 for a list of all the components, quantities and tools required.

**IMPORTANT WARNING!**

IT IS CRITICAL THAT ALL FRONT RUNNER PRODUCTS BE PROPERLY AND SECURELY ASSEMBLED AND ATTACHED TO YOUR VEHICLE. IMPROPER ATTACHMENT COULD RESULT IN AN AUTOMOBILE ACCIDENT, AND COULD CAUSE SERIOUS BODILY INJURY OR DEATH. YOU ARE RESPONSIBLE FOR ASSEMBLING AND SECURING ALL FRONT RUNNER PRODUCTS TO YOUR VEHICLE, CHECKING THE ATTACHMENTS PRIOR TO USE, AND PERIODICALLY INSPECTING THE PRODUCTS FOR ADJUSTMENT, WEAR AND DAMAGE. THEREFORE, YOU MUST READ AND UNDERSTAND ALL OF THE INSTRUCTIONS AND PRECAUTIONS SUPPLIED WITH YOUR FRONT RUNNER PRODUCT PRIOR TO INSTALLATION OR USE. IF YOU DO NOT UNDERSTAND ALL OF THE INSTRUCTIONS AND CAUTIONS, OR IF YOU HAVE NO MECHANICAL EXPERIENCE AND ARE NOT THOROUGHLY FAMILIAR WITH THE INSTALLATION PROCEDURES, YOU SHOULD HAVE THE PRODUCT INSTALLED BY A PROFESSIONAL INSTALLER OR OTHER QUALIFIED PERSONNEL.

**NOTE:** Front Runner will not be responsible for any damage caused by the failure to install the product according to these instructions.

Please call us if you have any questions about the installation of this product.

# 1

## GET ORGANIZED

### IN THE BOX

1	1 X	Jerry Can Strap
2	1 X	Jerry Can Base
3	4 X	M8 Nyloc Nut
4	4 X	M8 Flat Washer
5	4 X	M8 x 20 Countersink Socket Screw
6	2 X	M4 Nyloc Nut
7	2 X	M4 x 9 x 0.8SS Flat Washer
8	2 X	M4 x 10 Button Head Bolt
9	1 X	Latch With Safety Catch

### TOOLS NEEDED

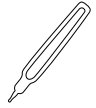
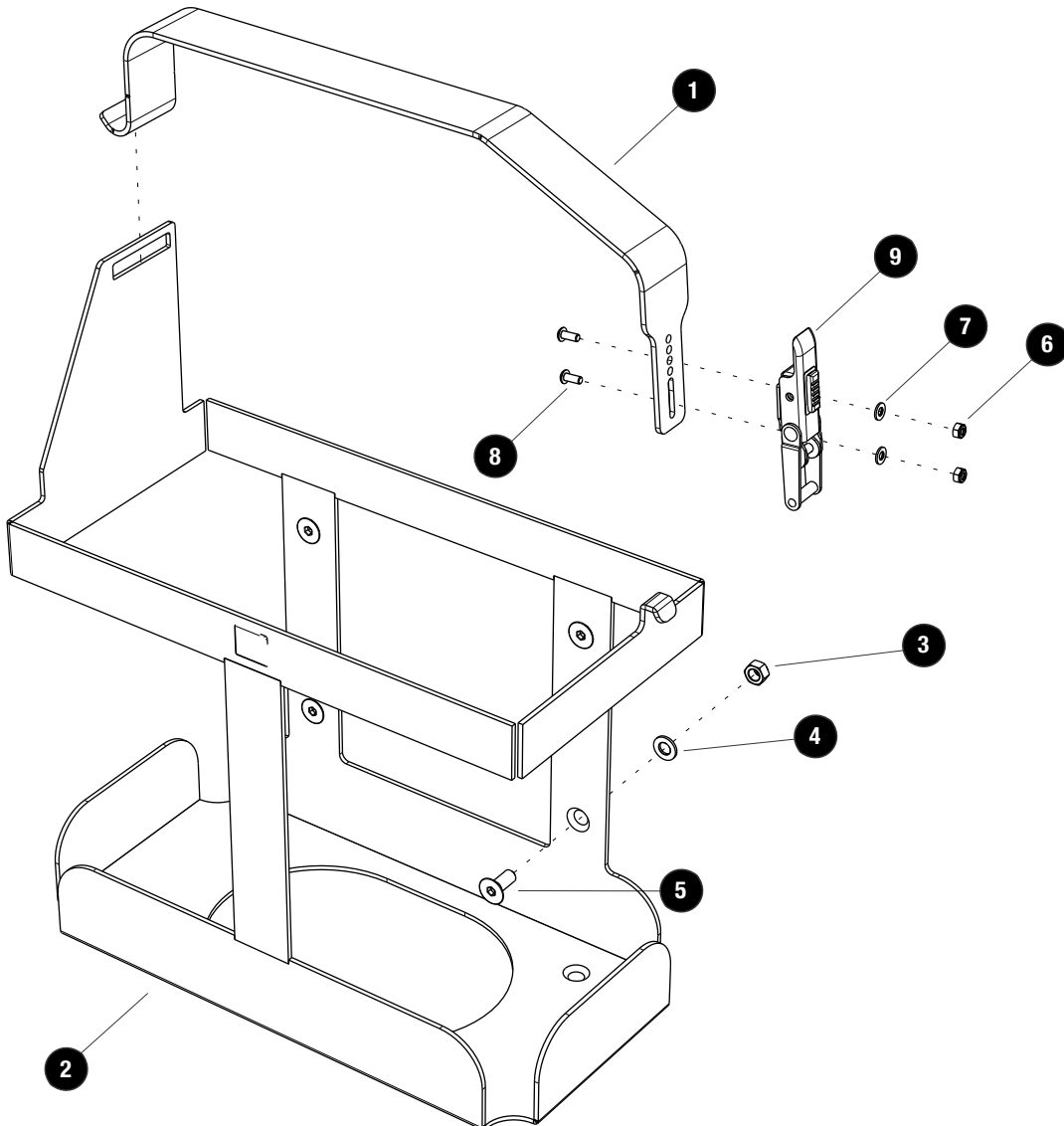


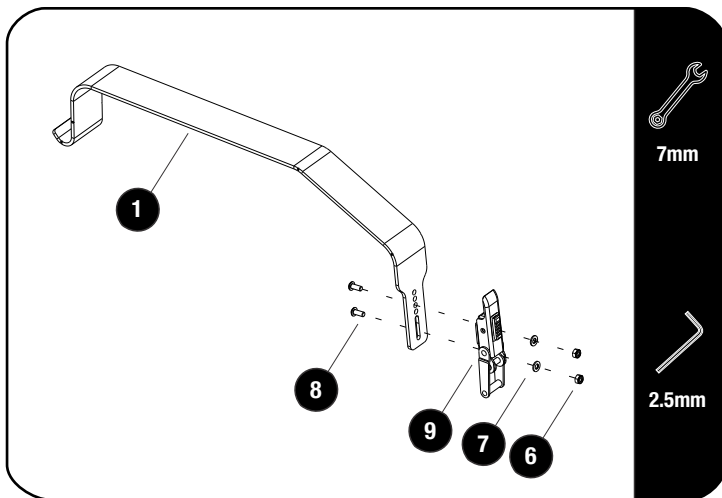
FIGURE 1.1



2

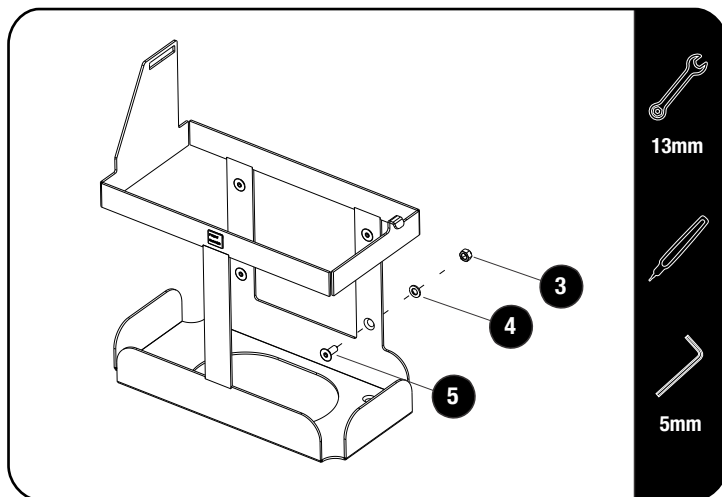
**FIT AND SECURE**

2.1



🔄 If needed, adjust the Latch (Item 9) using two M4 x 10 Button Heads, two M4 Flat Washers and two M4 Nyloc Nuts (Items 6, 7 & 8) before fully tightening.

2.2



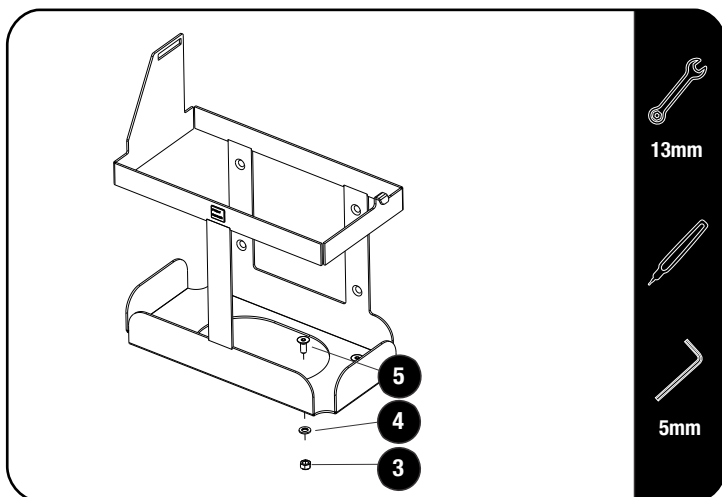
🔄 **SIDE MOUNTING OF VERTICAL JERRY CAN**

Decide on the location that you would like to mount the Vertical Jerry Can Holder.

Mark the four holes using a marker and drill the holes using a 8.5mm drill bit.

Mount the Vertical Jerry Can Holder using four M8 x 20 Countersink Screws, four M8 Flat Washers and four M8 Nyloc nuts (Items 5, 4 & 3) .

2.3



🔄 **BASE MOUNTING OF VERTICAL JERRY CAN**

Decide on the location that you would like to mount the Vertical Jerry Can Holder.

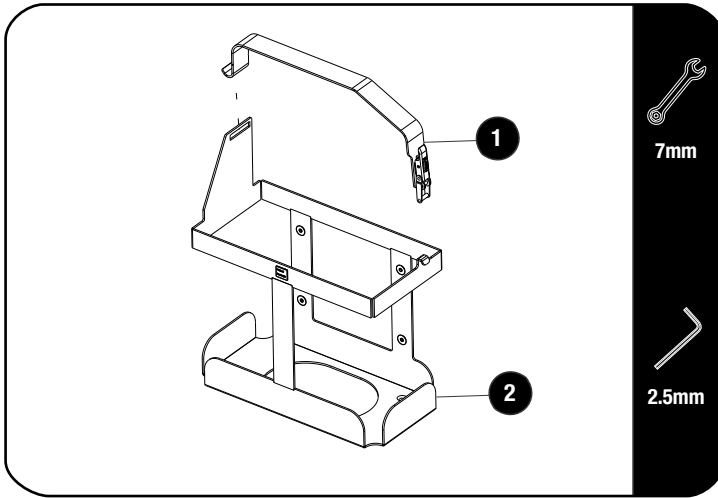
Mark the four holes using a marker and drill the holes using a 8.5mm drill bit.

Mount the Vertical Jerry Can Holder using four M8 x 20 Countersink Screws, four M8 Flat Washers and four M8 Nyloc nuts (Items 5, 4 & 3) .

2

## FIT AND SECURE

2.4



Slot the Jerry Can Strap (Item 1) into the Vertical Jerry Can Holder (Item 2) to complete assembly.

3

## FINISH

Congratulations! You did it. Take a step back and admire your work!

4

## INSTALL OTHER VEHICLE AND RACK ACCESSORIES

Now's the time to visit your favorite Front Runner Dealer in person or online.

Be sure to tag us. We love to see our gear in action! #FrontRunnerOutfitters #BornToRoam

Share your adventures on: 