



FITMENT INSTRUCTIONS

JEEP GLADIATOR EXPLORER & CONTOUR CANOPY

Installation Instructions

Preliminary information

Installation and fitment instructions including tools required, fasteners included in kit, and the hardware included in kit.

Please follow the instructions and check installation actions with the images in this document.



Service Enquiries email
queries@alu-cab.com

Installation Instructions

Canopy Fitment – Tools, Fasteners & Hardware

1.1

Tools & Items Required

Ratchet
13mm Spanner / Socket
13mm Ring Flat Spanner
Measuring Tape

1.3

Hardware Required

Vertical Mounting Bracket	6
Top Mounting Bracket	6
Nut Plate	6
Shim Plate	36

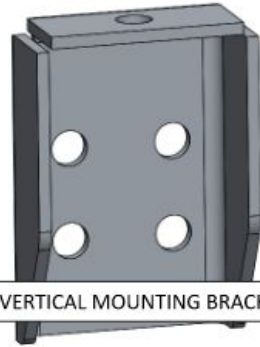
1.2

Fasteners Supplied (included with Side Boxes)

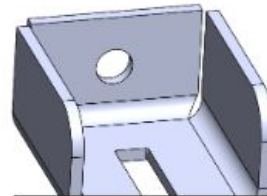
M8x30mm Hex Bolts	6
M8x20mm Hex Bolts	6
M8 Flat Washer	30
M8x20 Cup Square Bolt	12
M8 Nyloc Nut	24
M8 Plastic Nut Cap	30
Elastic Band	6

Installation Instructions

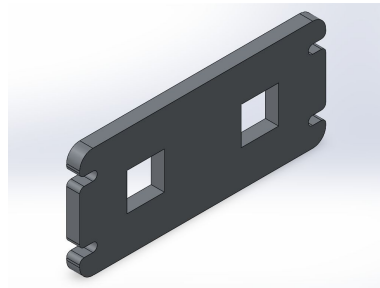
Brackets included:



VERTICAL MOUNTING BRACKET



TOP MOUNTING BRACKET



NUT PLATE

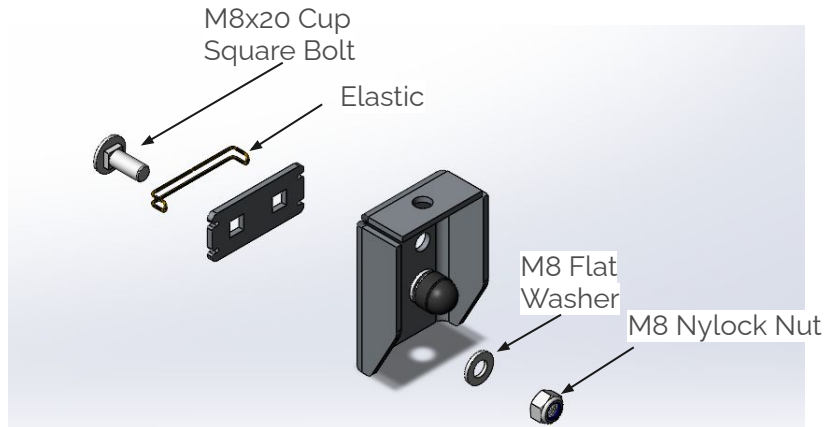


SHIM PLATE

Installation Instructions

2

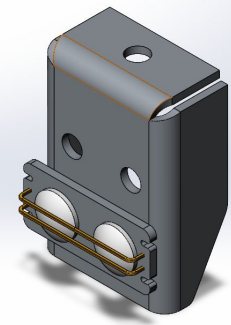
Mounting Bracket Fitment - Pre-Assembly:



The canopy mounting brackets interface with the OEM Jeep Gladiator load bin rail system, making the installation a non-invasive one.

It is best practise to semi-assemble all six mounting brackets, as shown, before sliding the nut plates into the rails.

Insert M8X20 cup square bolts, into the nut plate using the elastic to hold them in place. Push the bolts through the holes in the lower mounting bracket and then slide a flat washer over them. Turn the nuts onto the thread, so that only one or two threads engage. The semi-assembled mounting bracket will look like the image.



Installation Instructions

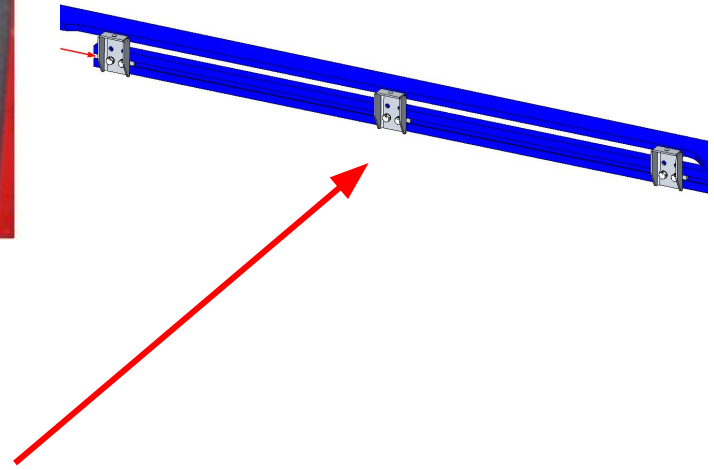
3

Mounting Bracket Fitment to Load Bin Rails:



Slide the nut plates (loosely fastened to the pre-assembled brackets, in the last step) into the load bin rails, from the front, three on each side. Locate the pre-assembled mounting brackets so that one is as far forward as it will go in the rail, one is as far back as it will go in the rail, and the one in the middle is equally spaced between the front and rear brackets.

Do this on both the left and right rails. Hand tighten the bolts, so that they do not shift out of their positions.

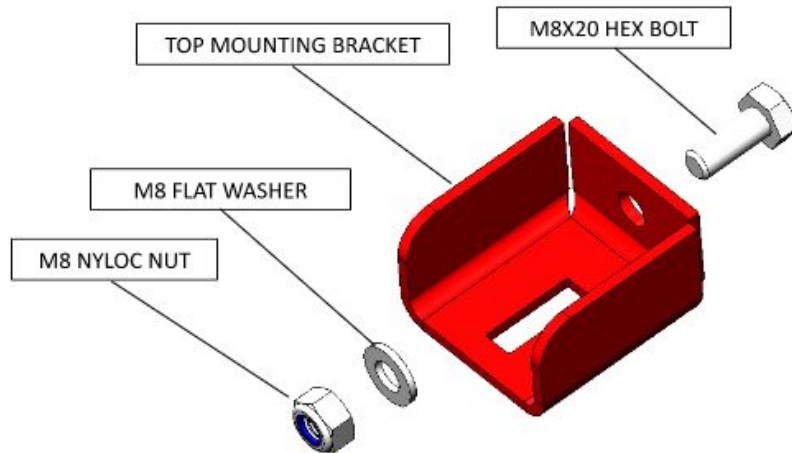


Installation Instructions

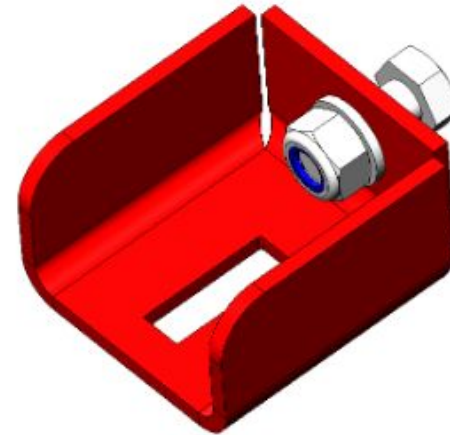
4

Mounting Bracket Fitment to Canopy:

Pre-assemble the six Top Mounting Brackets as shown below
(Only one or two threads of engagement into the nut required):

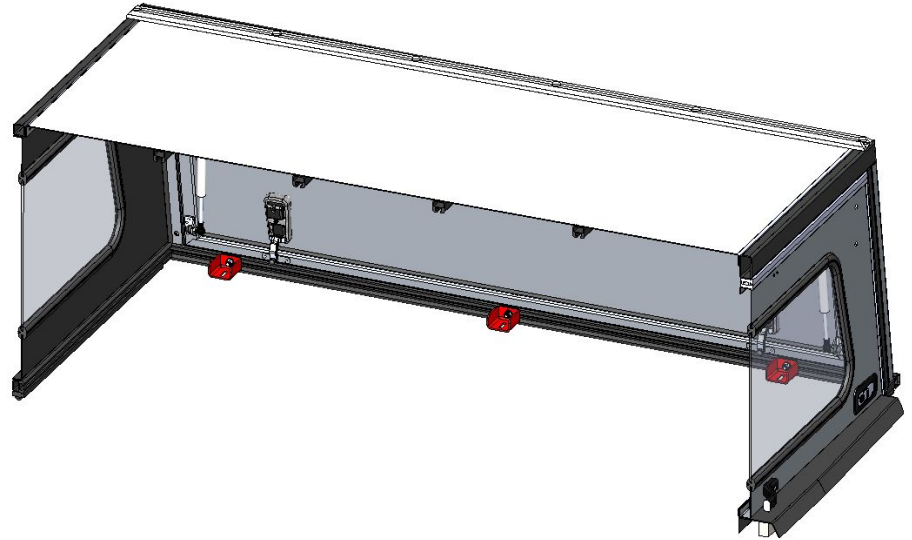
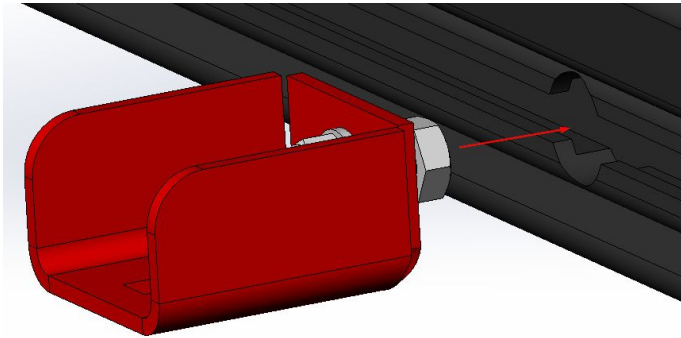


The six pre-assembled brackets will look like this:



Installation Instructions

Using the access holes on the nut slot frame of the canopy, slide three brackets into the left hand side, and three brackets into the right hand side. See images below:



Installation Instructions

5

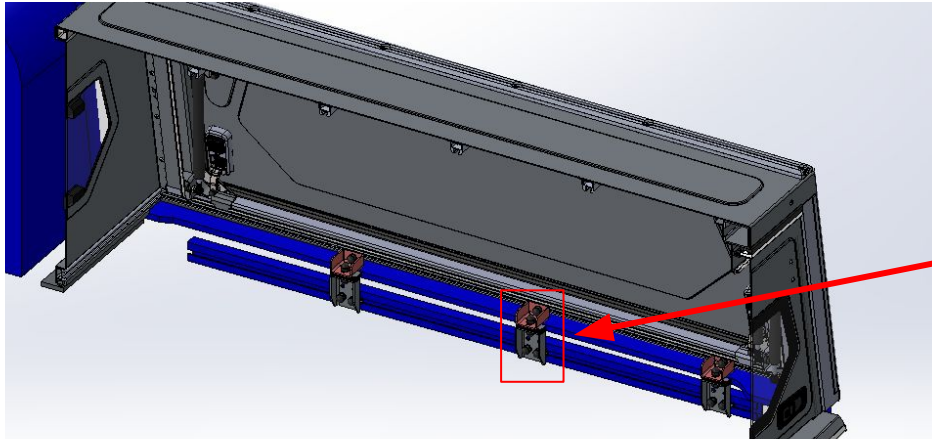
Canopy Fitment - Alignment:

Lift the canopy onto the load bin, and align it left to right, and front to back. Ensure that the canopy's rear door tail seal clears the vehicle's tailgate.

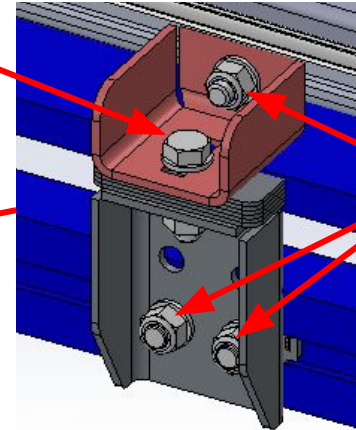
From inside the load bin, slide the Top Mounting Brackets, in the canopy's nut slots on either side, until they align with the Vertical Mounting Brackets, already located in the load bin rails.

Use the provided M8X30 hex bolts to check alignment, but do not fasten the brackets together.

Once alignment is confirmed, tighten the fasteners into the canopy nut slot, and into the load bin rails. Do this for all six mounting locations. See images below:



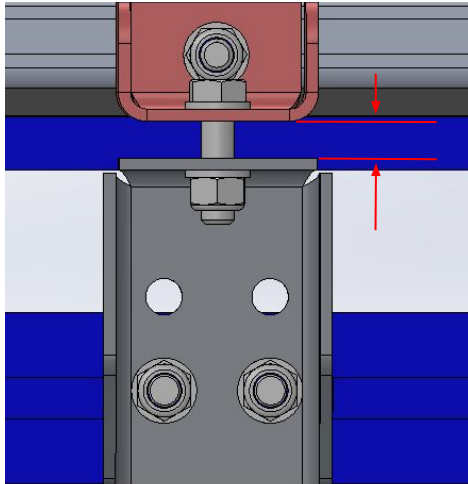
M8x30 Hex Bolt (Check Alignment)



Installation Instructions

6

Canopy Fitment - Spacing with Shim Plates:



This last step is extremely important, as it ensures that the load of the newly fitted canopy is correctly directed into the load bearing rails, as opposed to lying directly on the load bin walls.

Use a measuring tape to check the distance between the Vertical Mount Bracket and the Top Mount Bracket. Check all six mounting locations, as this may differ slightly from front to back, and note these measurements.

These measurements will allow you to select the correct number of Shim Plates to use. Four Shim Plates are supplied for each of the six mounting sub-assemblies. The supplied Shim Plates vary in thicknesses from 0.9mm to 1.6mm.

1 Shim Plate	0.9 - 1.6mm
2 Shim Plates	1.8 - 3.2mm
3 Shim Plates	2.7 - 4.8mm
4 Shim Plates	3.6 - 6.4mm

Always ensure that you use a stack up, of Shim Plates, that exceeds your measurement by at least 1.5mm. Always measure the total thickness of the Shim Plate stack for accurate spacing.

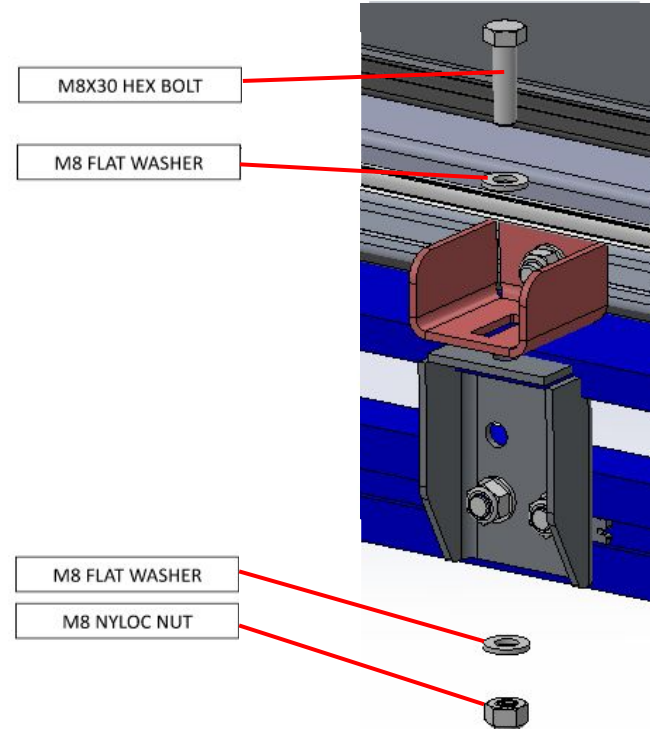
Example: Measured Distance = 2.5mm | Measured Shim Stack = 4.8mm (+2.3mm)

Installation Instructions

7

Canopy Fitment - Final Fitment:

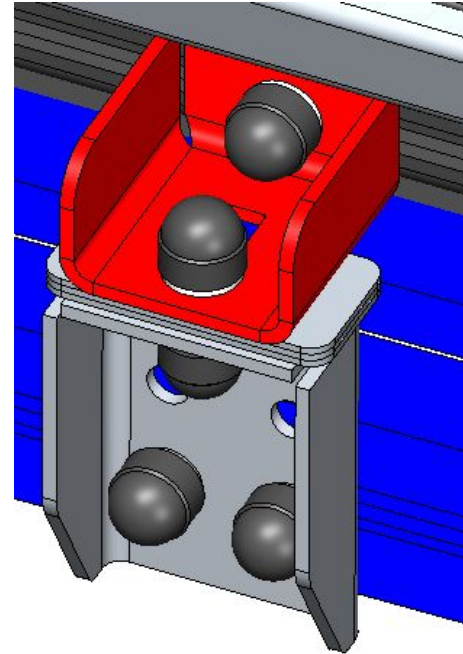
Insert the correct number of Shim Plates, as per Step 6. Insert an M8X30 hex bolt and M8 flat washer from above, and an M8 flat washer and M8 nyloc nut from underneath. Tighten these fasteners. Do this for all six mounting locations.



Installation Instructions

Before finalising the fitment, do a walk around of the canopy and ensure that the sealing gasket is correctly compressed between the canopy frame and the load bin walls.

Once this is checked, you can push the M8 nut caps onto the exposed bolt heads and nyloc nuts.



The canopy is now fitted correctly!

Disclaimer

All rights reserved. No part of this website may be reproduced, translated, stored in a retrieval system, or transmitted, in any form or by any means, electronic, mechanical, photocopying, recording or otherwise, without prior written permission of the owner.

Review all instructions information carefully before installation.

Any damages, direct or incidental to the installer and/or property due to incorrect installation of any parts are the responsibility of the installer. Due to the various applications and fitment options available, the responsibility lies with the user to ensure all mounting points are secure and tight before every trip.

If unsure, consult with your Distributor regarding the operations of our products.

Users are advised to be mindful of the load they are carrying and drive in accordance with road conditions.

WARNING

Always wear appropriate PPE (Personal protection equipment) when fitting our products. Although the mounting kit is designed to be DIY, if you have any doubts or concerns, contact an accredited fitment centre to carry out the work. Alu-Cab will not be liable for any injury to persons, and/or damage to products and/or vehicles.

While Alu-Cab Holdings takes reasonable measures to ensure that the contents of this Website are accurate and complete, Alu-Cab Holdings makes no representations or warranties, whether express or implied, as to the quality, timeliness, operation, integrity, availability or functionality of this Website or as to the accuracy, completeness or reliability of any information on this Website. Alu-Cab Holdings reserves the right to make changes, corrections and/or improvements to the information and to the products and programs described in such information, at any time without notice.

Alu-Cab Holdings will use reasonable endeavours to maintain the availability of the Website, except during scheduled maintenance periods, and reserves the right to discontinue providing the Website or the service or any part thereof with or without notice to you. Any person who accesses this Website or relies on this Website or on the information contained in this Website does so at his or her own risk.

Occasionally, at our discretion, we may include or offer third-party products or services on our website. These third-party sites have separate and independent privacy policies. We therefore have no responsibility or liability for the content and activities of these linked sites. Nonetheless, we seek to protect the integrity of our site and welcome any feedback about these sites.