

**ACU-CAB**<sup>TM</sup>

**ULTIMATE OVERLAND PRODUCTS**

**FITMENT INSTRUCTIONS**

**CANOPY CAMPER BACKREST**

# Installation Instructions

---

## Preliminary information

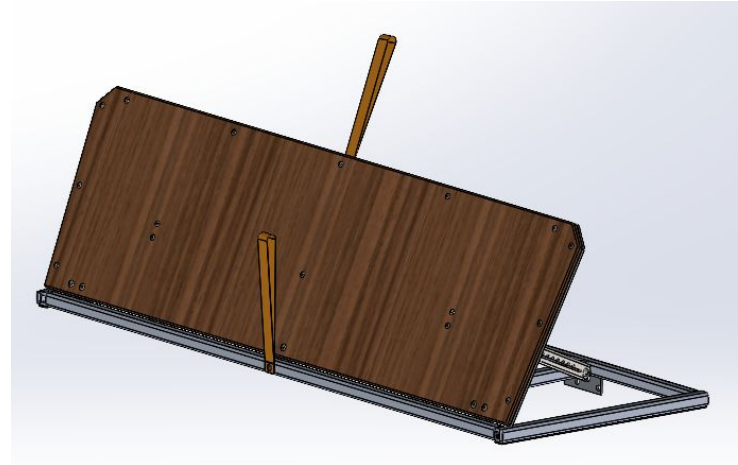
Installation and fitment instructions includes the tools required, fasteners included in the kit, and the hardware included in the kit.

Please follow the instructions and check installation steps with the images in this document.

Alu-Cab recommends that all sealing work is allowed to cure for 24 hours, after which you may drive the vehicle on normal paved roads. Before driving off-road with your Alu-Cab product or operating your roof conversion, an additional cure period of 48 hours is required.

Failure to follow these instructions will void your warranty. Please ensure that you follow the sealant manufacturers curing time as per their technical data sheet.

These times may differ slightly from the times we have recommended.



Service Enquiries email  
[queries@alu-cab.com](mailto:queries@alu-cab.com)

# Installation Instructions

## Backrest Fitment – Tools, Fasteners & Hardware

1.1

### Tools & Items Required

12mm Ring Spanner/Socket
2x 13mm Ring Spanner/Socket
Pop-rivet gun
Drill
5mm Drill bit

### Items

Turpentine
Cloth
Black sealant, silicone or Sikaflex
Window Cleaner

1.2

### Fasteners Supplied (included with Filler Kit)

12mm FLAT WASHER (ID - 13; OD - 24; T 2.3-2.7) DIN - 125	4
12 x 4.8 X 10 ASC COUNTERSUNK RIVETS	24

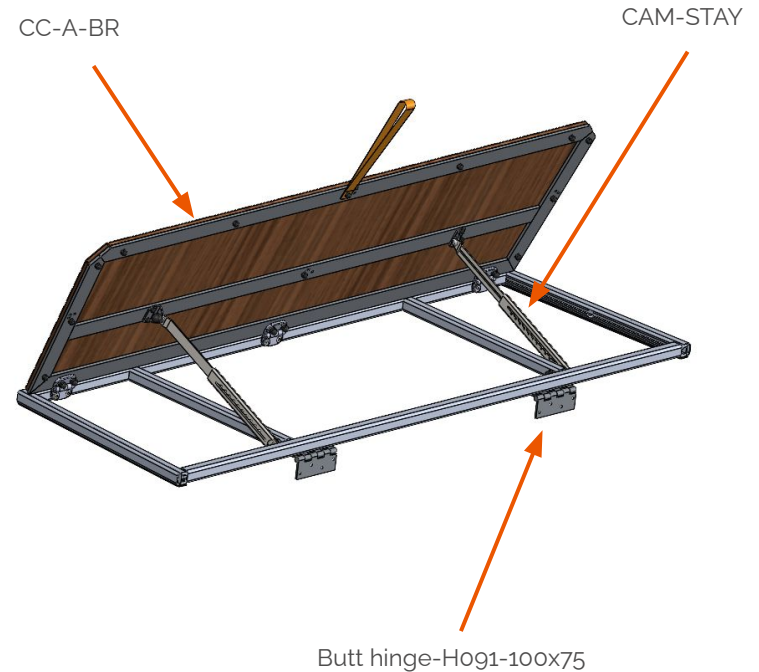
# Installation Instructions

1.4

## Backrest Fitment – Tools, Fasteners & Hardware

### Part Identification:

Part Number	Description	Qty
CC-A-BR	CANOPY CAMPER BACKREST ASSEMBLY	1
CAM-STAY	CAMLOC 10 POSITIONS	2
Butt hinge -Hog1- 100x75	Aluminum hinge	2



## Installation Instructions

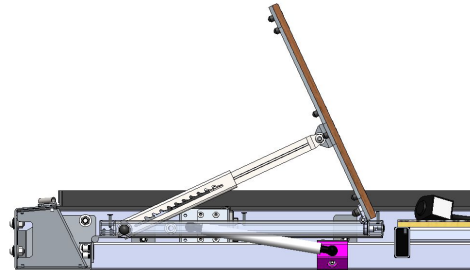
2

### Remove Bed section:

The first step of the Backrest installation process is removing the existing bed section.

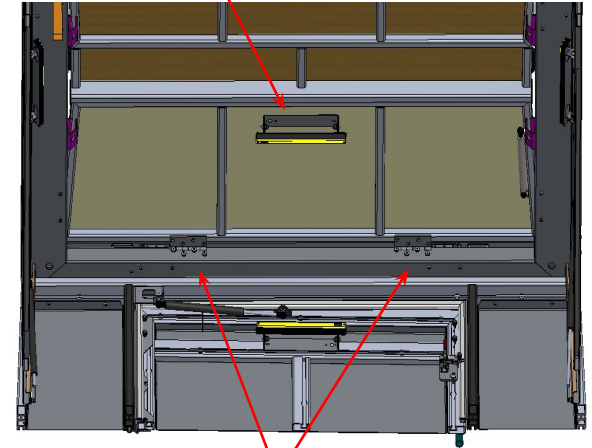
Follow the instructions here:

1. Remove the gas struts with the 12 and 13mm spanners.
2. Lay the bed section in the flat position and start to unscrew the bolts out of the hinges attached to the base side.
3. NOTE: There might be some sikaflex under the hinges so it would require a bit more effort to remove.



Remove gas struts

The light wire would have to be cut and taped off.

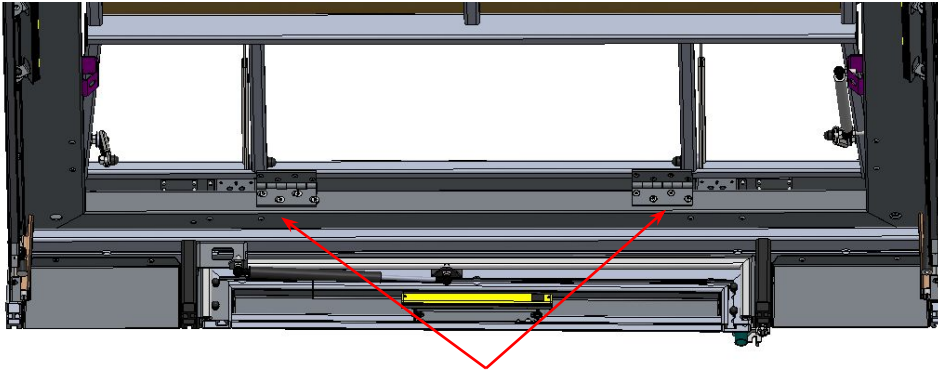


Remove both hinges from the base with an allen key

## Installation Instructions

3

### New hinge fitment:



Fit new hinges on the existing holes where the old hinges were located.  
Apply some sikaflex under the hinge before bolting them into position.

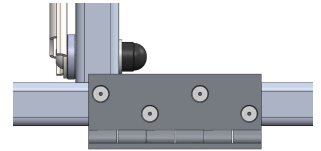
Item Number	Part Number	Description	Qty
1	Butt hinge Hog1-100x75	Aluminum hinges	3
2	M6 X 16mm CSK Bolts	M6 X 16 Countersunk bolts (use existing bolts)	8

## Installation Instructions

3

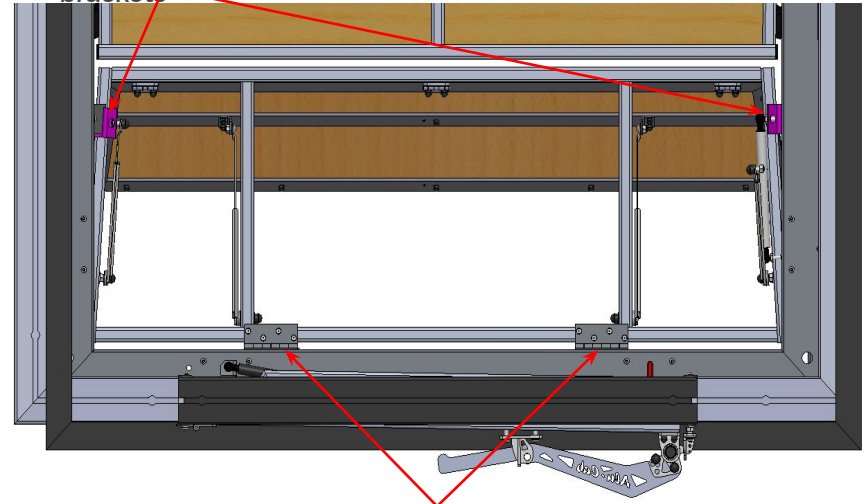
### Backrest assembly alignment and fitment:

1. Place the backrest onto the flanges of the base while maintaining a equal gap on both sides of the backrest.
2. Once the frame is positioned central of the 2 support brackets, you drill 5mm holes into the frame using the hinge holes positions.



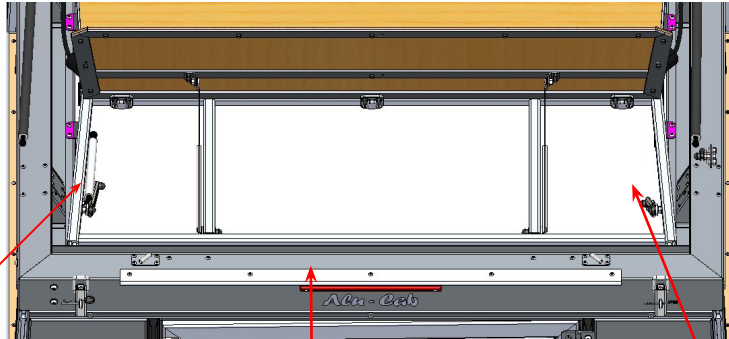
3.2

Support  
brackets



Hinge  
holes

3.1



hinge side (2mm to 5mm  
gap)

left  
side

right  
side

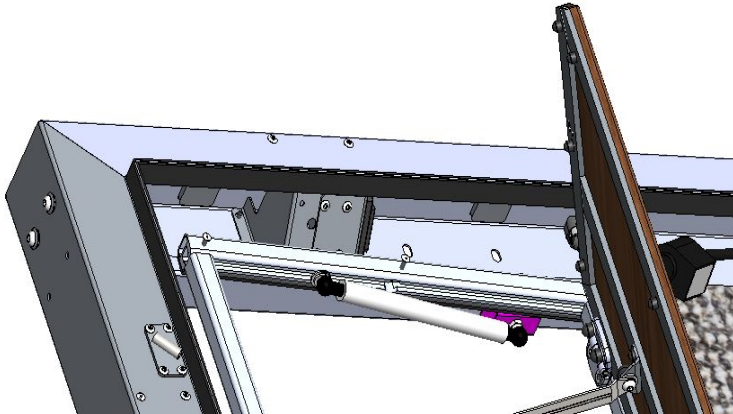
## Installation Instructions

3

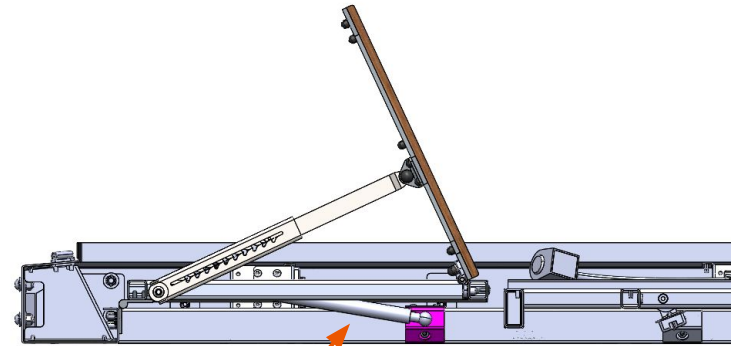
Backrest setup :

3. Fit 1 off only gas strut on the left side as shown in Fig 3.3

3.3



3.4



Gas strut

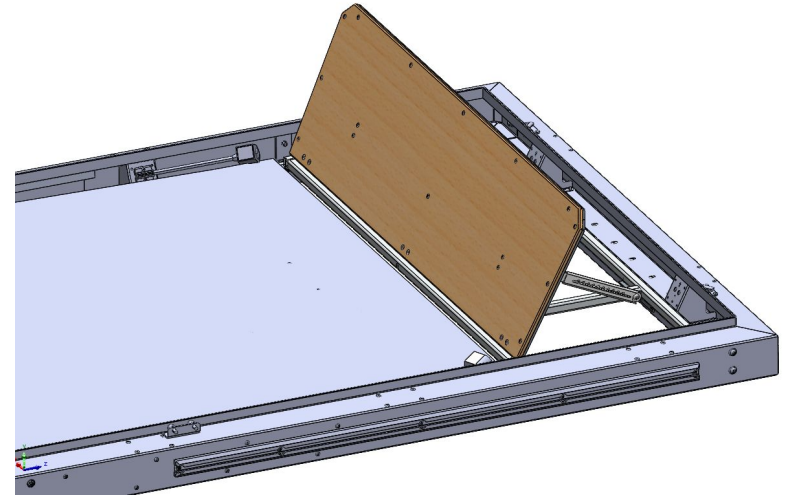
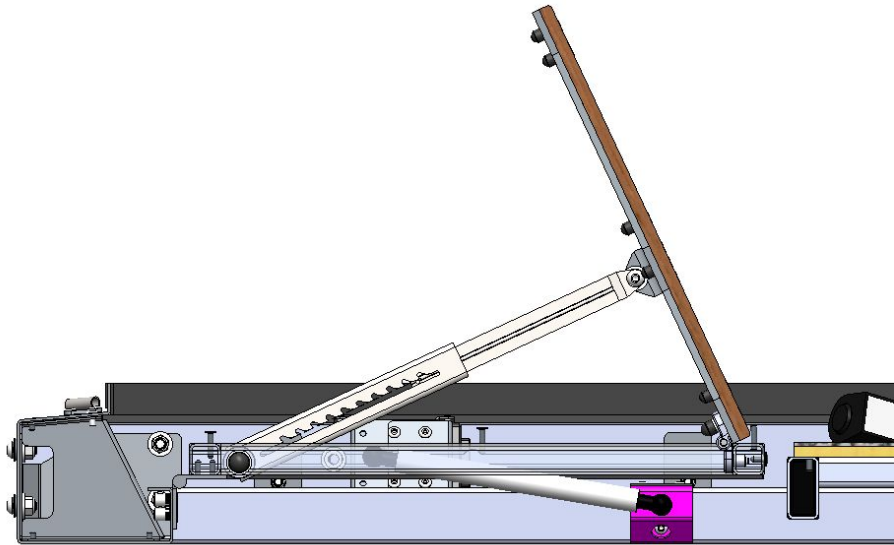


## Installation Instructions

---

4

Backrest setup:



## Installation Instructions

---

5.3



# Disclaimer

---

All rights reserved. No part of this website may be reproduced, translated, stored in a retrieval system, or transmitted, in any form or by any means, electronic, mechanical, photocopying, recording or otherwise, without prior written permission of the owner.

## **Review all instructions information carefully before installation.**

Any damages, direct or incidental to the installer and/or property due to incorrect installation of any parts are the responsibility of the installer. Due to the various applications and fitment options available, the responsibility lies with the user to ensure all mounting points are secure and tight before every trip.

If unsure, consult with your Distributor regarding the operations of our products.

Users are advised to be mindful of the load they are carrying and drive in accordance with road conditions.

## **WARNING**

Always wear appropriate PPE (Personal protection equipment) when fitting our products. Although the mounting kit is designed to be DIY, if you have any doubts or concerns, contact an accredited fitment centre to carry out the work. Alu-Cab will not be liable for any injury to persons, and/or damage to products and/or vehicles.

While Alu-Cab Holdings takes reasonable measures to ensure that the contents of this Website are accurate and complete, Alu-Cab Holdings makes no representations or warranties, whether express or implied, as to the quality, timeliness, operation, integrity, availability or functionality of this Website or as to the accuracy, completeness or reliability of any information on this Website. Alu-Cab Holdings reserves the right to make changes, corrections and/or improvements to the information and to the products and programs described in such information, at any time without notice.

Alu-Cab Holdings will use reasonable endeavours to maintain the availability of the Website, except during scheduled maintenance periods, and reserves the right to discontinue providing the Website or the service or any part thereof with or without notice to you. Any person who accesses this Website or relies on this Website or on the information contained in this Website does so at his or her own risk.

Occasionally, at our discretion, we may include or offer third-party products or services on our website. These third-party sites have separate and independent privacy policies. We therefore have no responsibility or liability for the content and activities of these linked sites. Nonetheless, we seek to protect the integrity of our site and welcome any feedback about these sites.