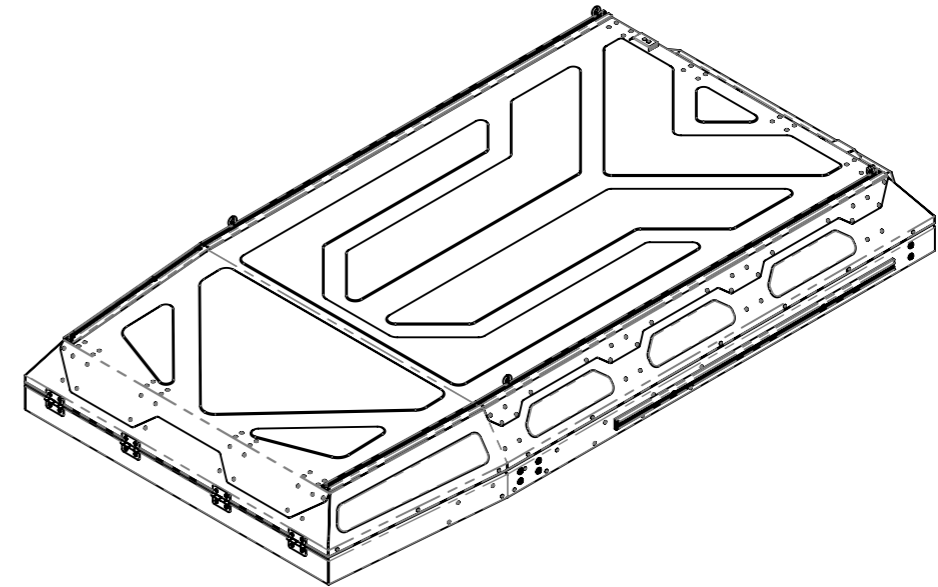
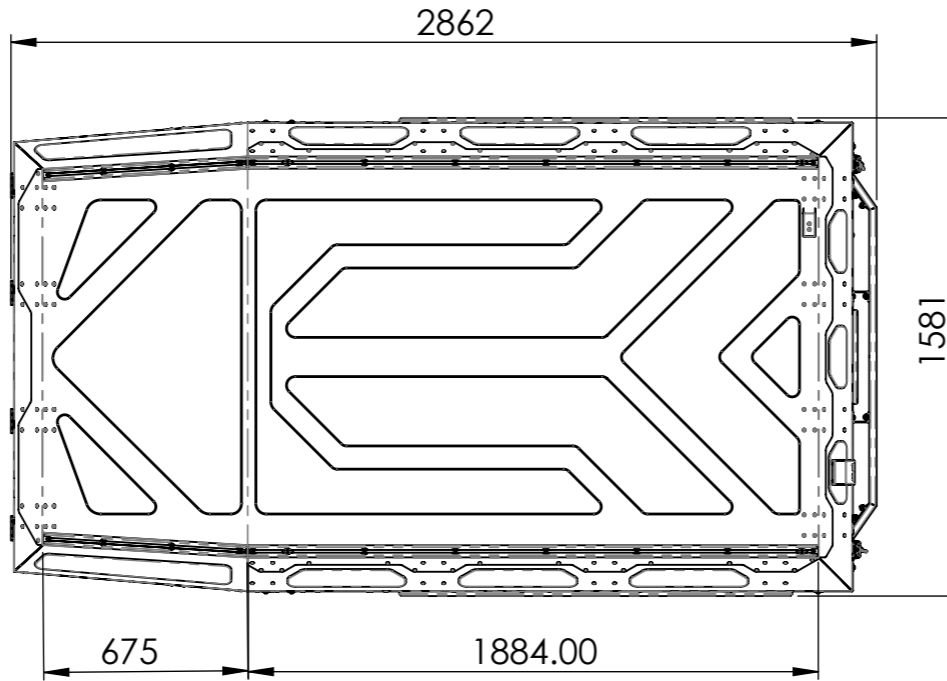
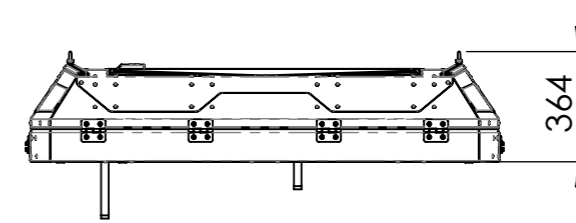
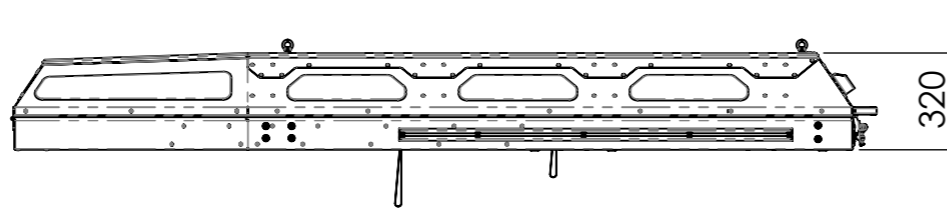
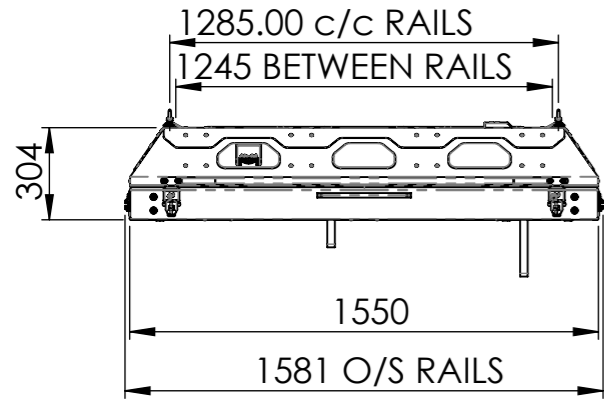


CC2-BO-TENT - GENERAL ARRANGEMENT

ASSY INFO	MASS (kg):	
	BONDED:	Y
	FASTENED:	Y
FINISH	WELDED:	Y
	TUMBLED:	
	BRUSHED:	
	POWDER:	
	SPRAY:	
	COLOUR:	N/A



WEIGHT APPROX: 140KG

TOLERANCES TO ASSUME UNLESS INDICATED OTHERWISE		
NOM DIMENSION RANGE (mm)		TOLERANCE
0.50 - 3.00	-	± 0.10
3.00 - 6.00	-	± 0.15
6.00 - 30	-	± 0.20
30 - 120	-	± 0.30
120 - 400	-	± 0.50
400 - 1000	-	± 1.00
1000 - 1000<	-	± 2.00

DESCRIPTION: CC2 BO MAIN TENT ASSEMBLY	
PROJECT: CC2-BO-TENT	
DRAWN BY: System Administrator	DATE: 2023-11-21
THE INFORMATION CONTAINED WITHIN THIS DOCUMENT IS THE INTELLECTUAL PROPERTY OF ALU-CAB (PTY) LTD	

SHEET: A3	SHEET 1 of 1
SCALE: 1:25	
DRAWING NO. CC2-BO-TENT-GA	



REV.	DESCRIPTION	DATE	APPROVED
00	RELEASED FOR PRODUCTION	2023-11-21	System Administrator

REV
00