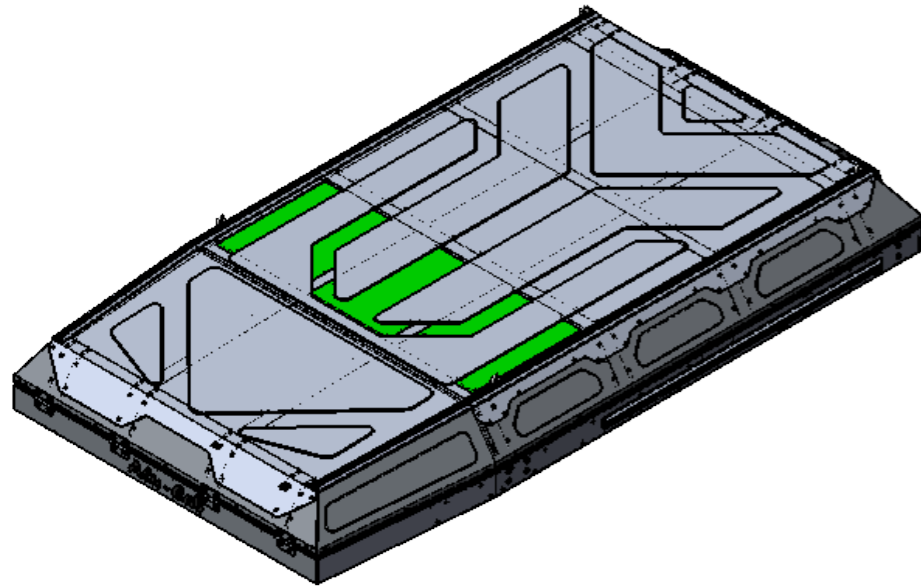
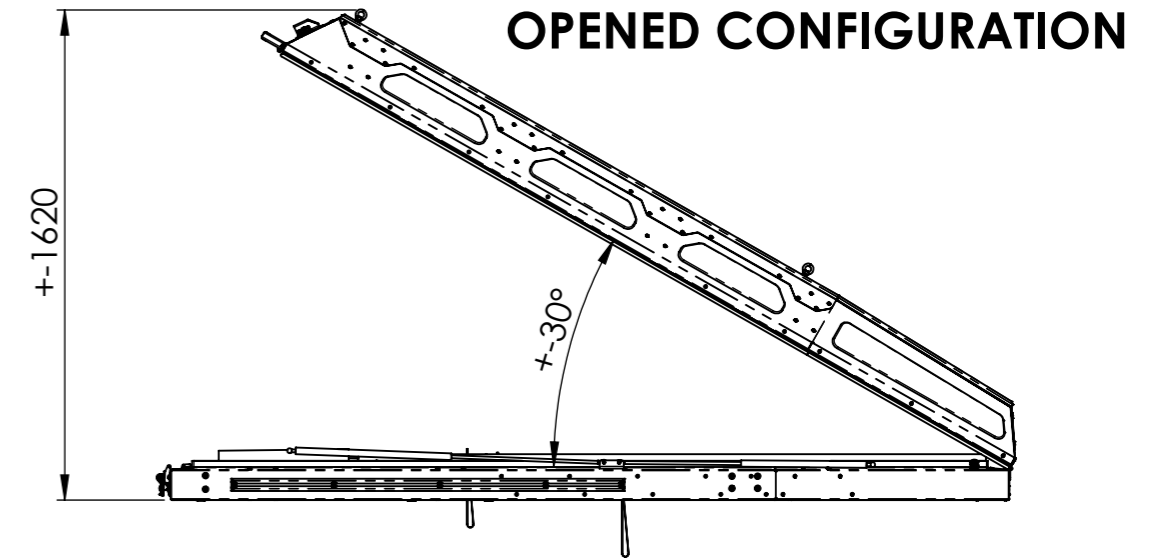
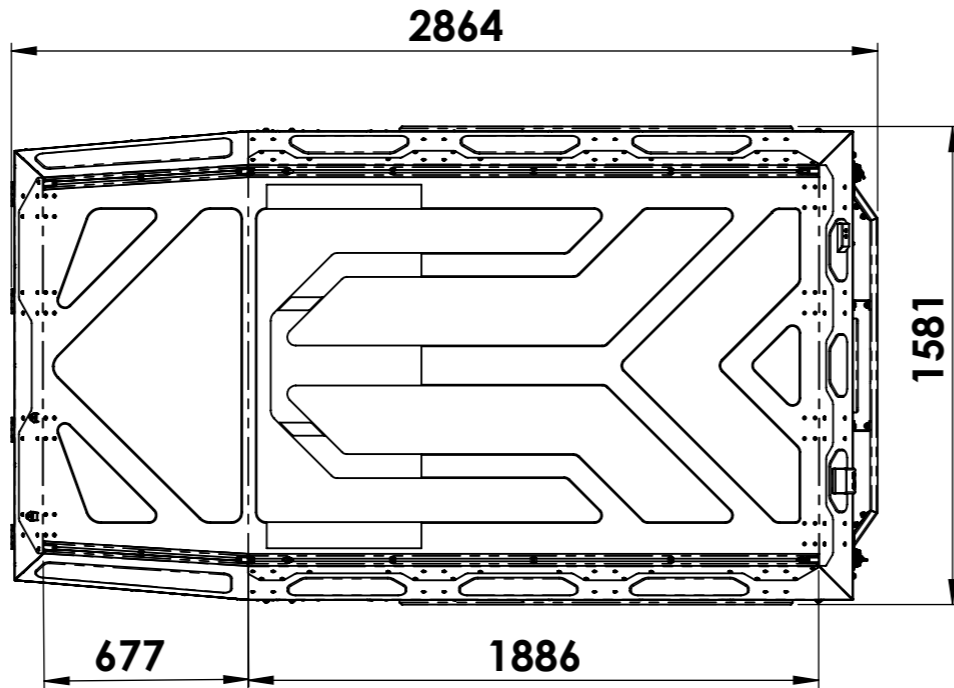
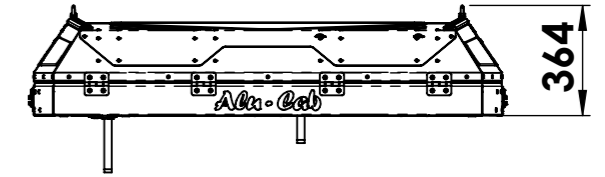
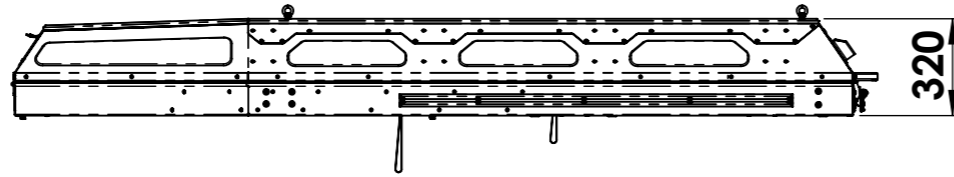
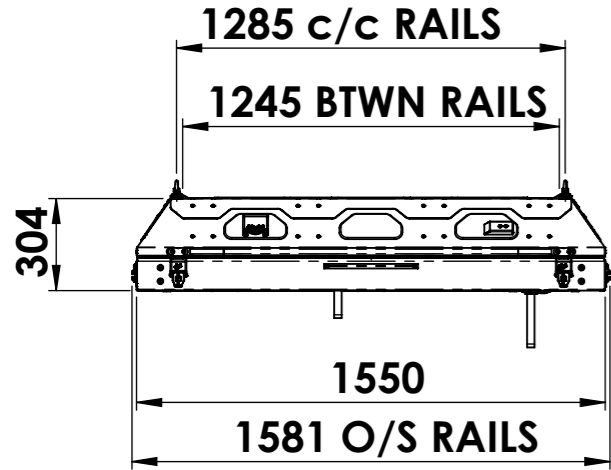


# GENERAL ARRANGEMENT

## MODCAP 2 SLEEPER TENT

ASSY INFO	MASS (kg):	
	BONDED:	Y
	FASTENED:	Y
FINISH	WELDED:	Y
	TUMBLED:	
	BRUSHED:	
	POWDER:	
	SPRAY:	
	COLOUR:	N/A



**WEIGHT APPROX: 140KG**

TOLERANCES TO ASSUME UNLESS INDICATED OTHERWISE

NOM DIMENSION	RANGE (mm)	TOLERANCE
0.50	- 3.00	± 0.10
3.00	- 6.00	± 0.15
6.00	- 30	± 0.20
30	- 120	± 0.30
120	- 400	± 0.50
400	- 1000	± 1.00
1000	- 1000<	± 2.00

DESCRIPTION: <b>CC2 BO MAIN TENT ASSEMBLY</b>		SHEET: A3
PROJECT: <b>CC2-BO-TENT</b>		SHEET 1 of 2
DRAWN BY: System Administrator	DATE: 2023-11-21	SCALE: 1:25
DRAWING NO. <b>CC2-BO-TENT-GA</b>		REV <b>00</b>

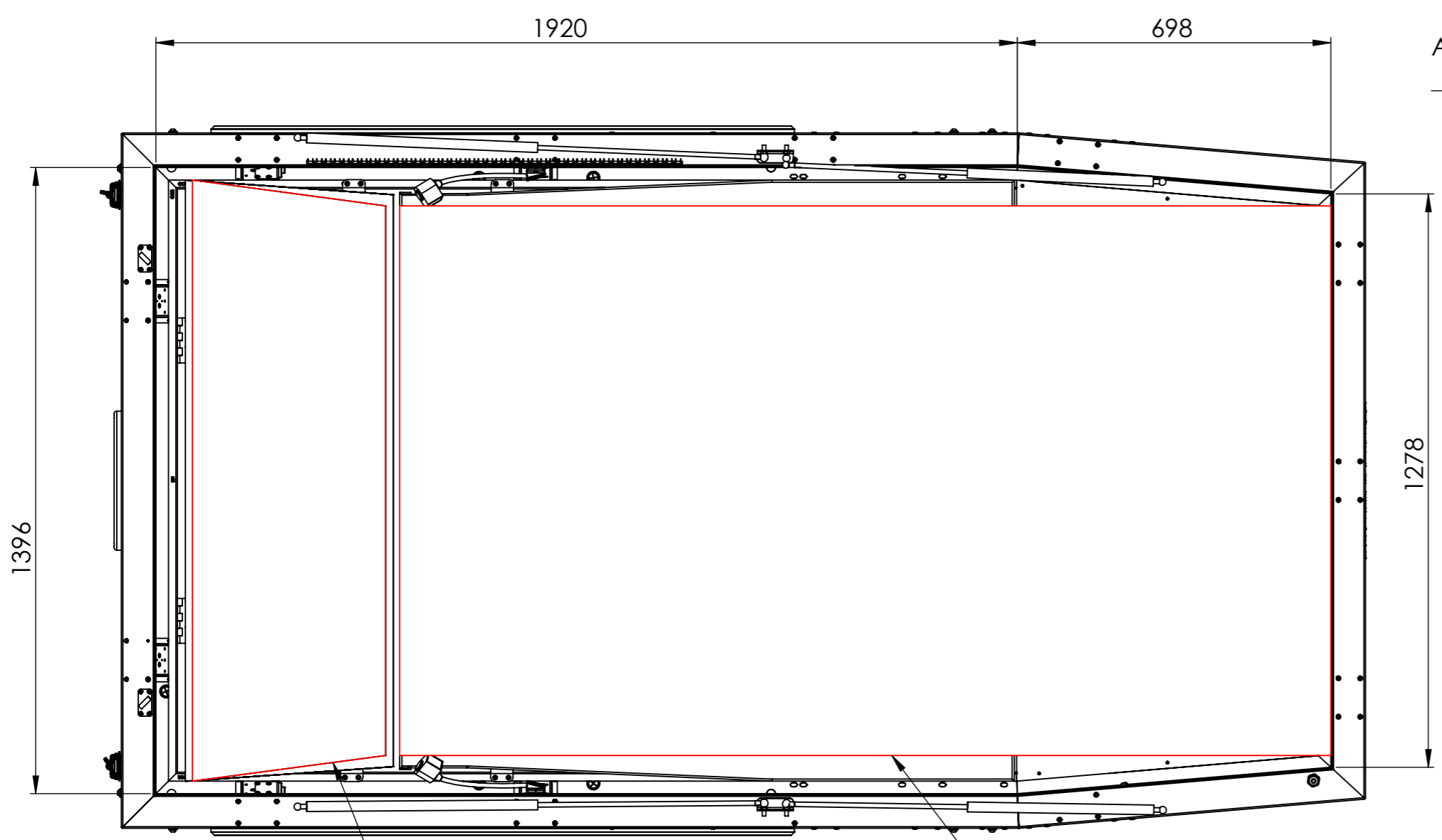
THE INFORMATION CONTAINED WITHIN THIS DOCUMENT IS THE INTELLECTUAL PROPERTY OF ALU-CAB (PTY) LTD



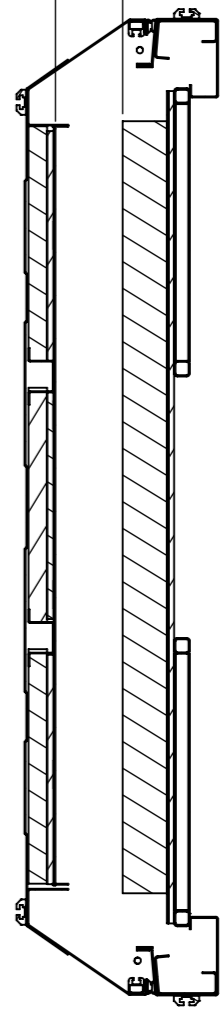
UJ171116 07-08-2023 PRODUK 15

# BOLT ON TENT AND CANOPY CAMPER TENT BED AND INTERNAL DIMENSIONS

ASSY INFO	MASS (kg):	
	BONDED:	Y
	FASTENED:	Y
FINISH	WELDED:	Y
	TUMBLED:	
	BRUSHED:	
	POWDER:	
	SPRAY:	
	COLOUR:	N/A



107  
APPROXIMATE INTERNAL  
SPACE FOR BEDDING



SECTION A-A

HDF-KH4-2  
DIMENSIONS:  
1340X430X70

HDF-KH4-1  
DIMENSIONS:  
2075X1225X70

TOLERANCES TO ASSUME  
UNLESS INDICATED OTHERWISE

NOM DIMENSION	RANGE (mm)	TOLERANCE
0.50	- 3.00	± 0.10
3.00	- 6.00	± 0.15
6.00	- 30	± 0.20
30	- 120	± 0.30
120	- 400	± 0.50
400	- 1000	± 1.00
1000	- 1000<	± 2.00

DESCRIPTION:  
**CC2 BO MAIN TENT ASSEMBLY**

PROJECT:  
**CC2-BO-TENT**

DRAWN BY:  
System Administrator

DATE:  
2023-11-21

THE INFORMATION CONTAINED WITHIN THIS DOCUMENT  
IS THE INTELLECTUAL PROPERTY OF ALU-CAB (PTY) LTD

SHEET: A3	SHEET 2 of 2
SCALE: 1:12	



DRAWING NO. <b>CC2-BO-TENT-GA</b>	REV <b>00</b>
--------------------------------------	------------------