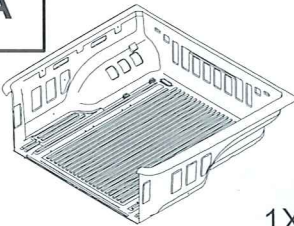
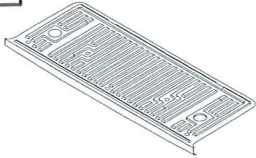

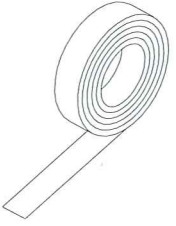
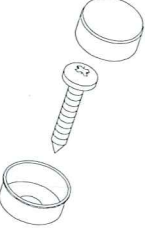





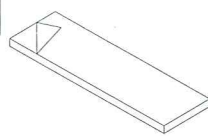
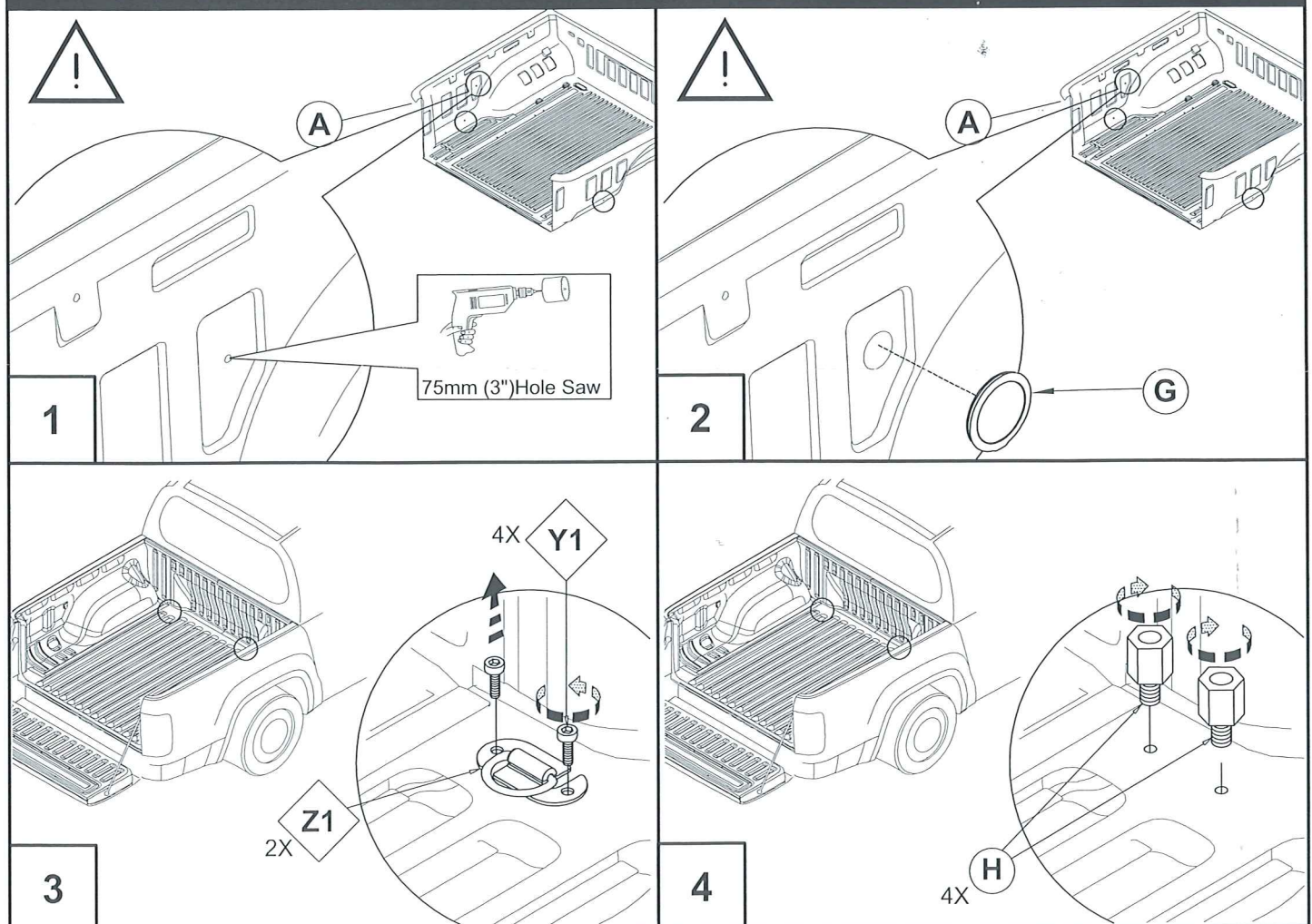




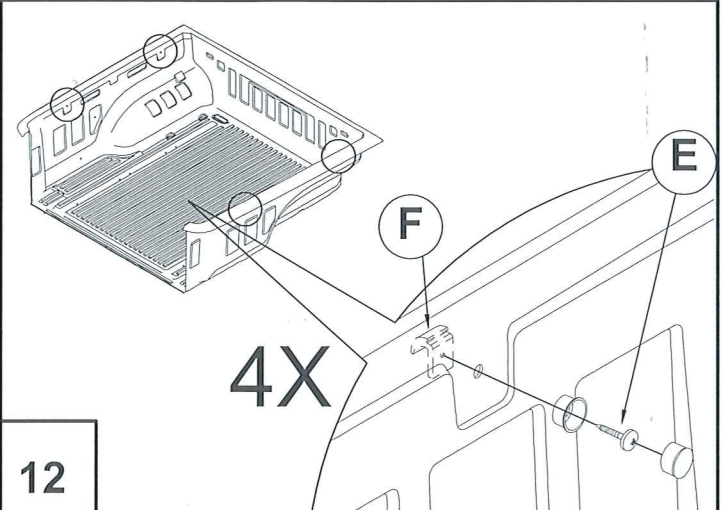
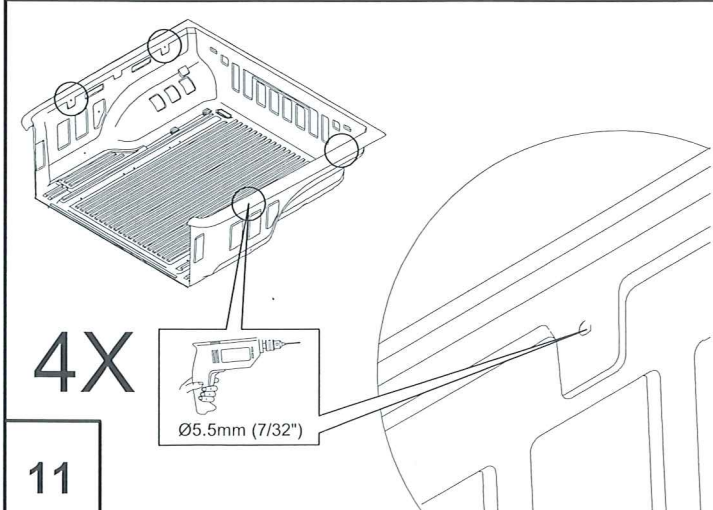
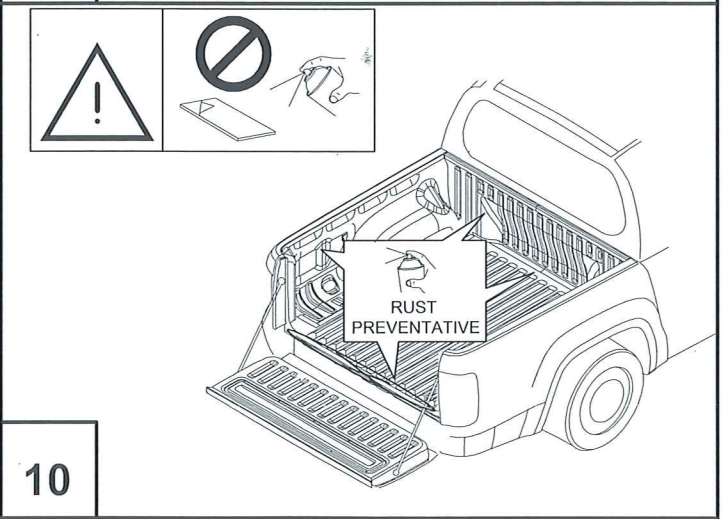
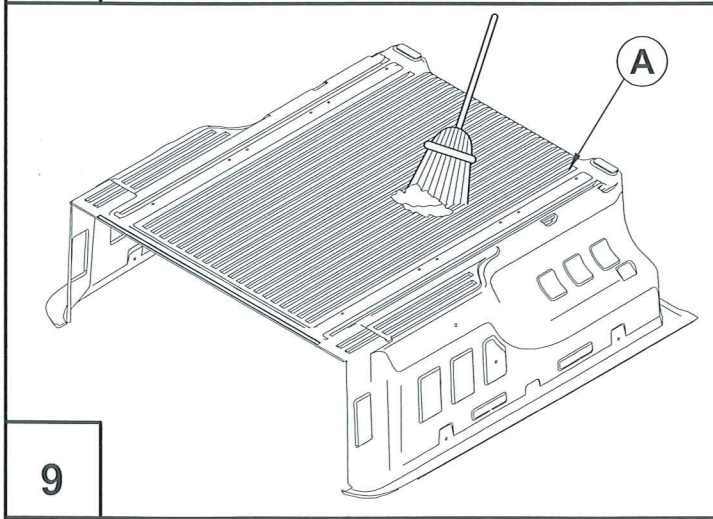
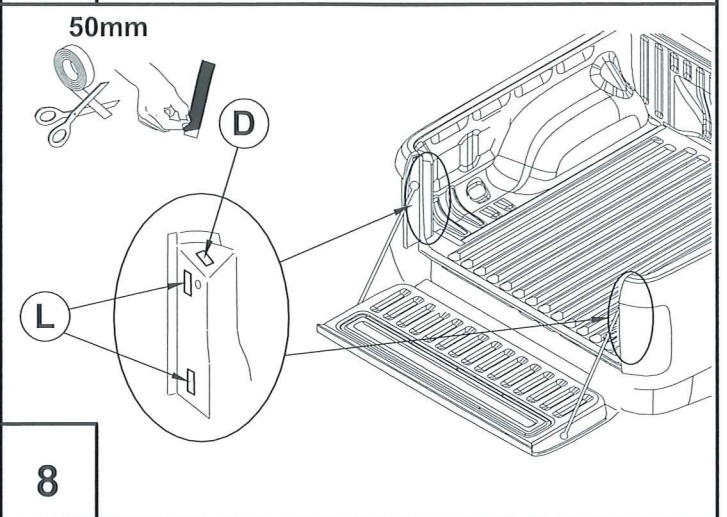
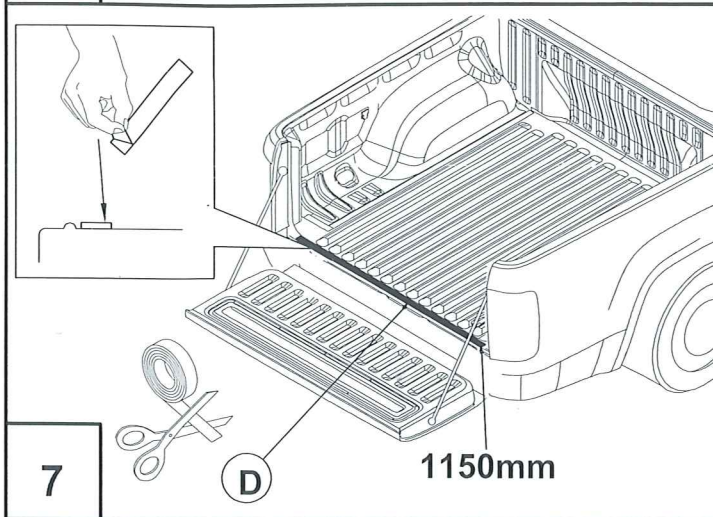
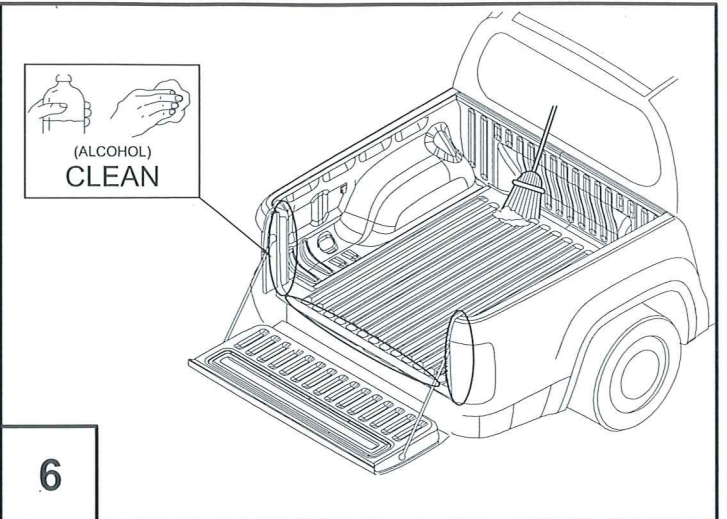
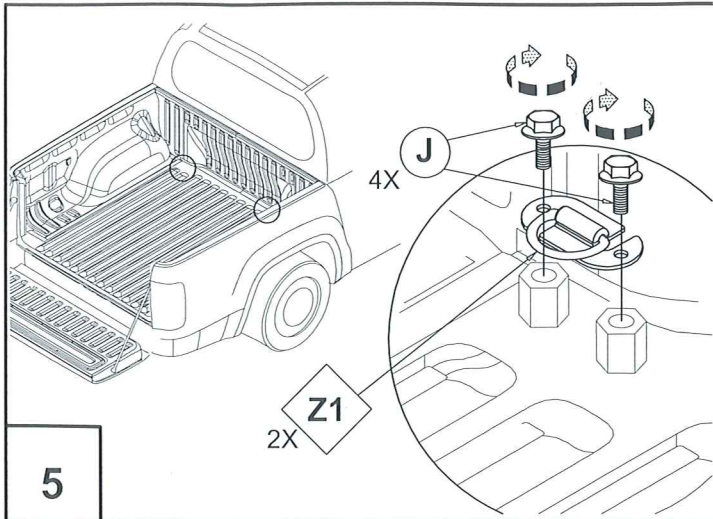
K520-Volkswagen-Amarok-2010-Restricted-DC-OR

A  1X	B  1X	C  5X	D  1X
E  4X	F  4X	G  3X	H  4X
J  M8x16mm 4X	K  2X	L  4X	◊ = EXISTING PART ○ = NEW PART

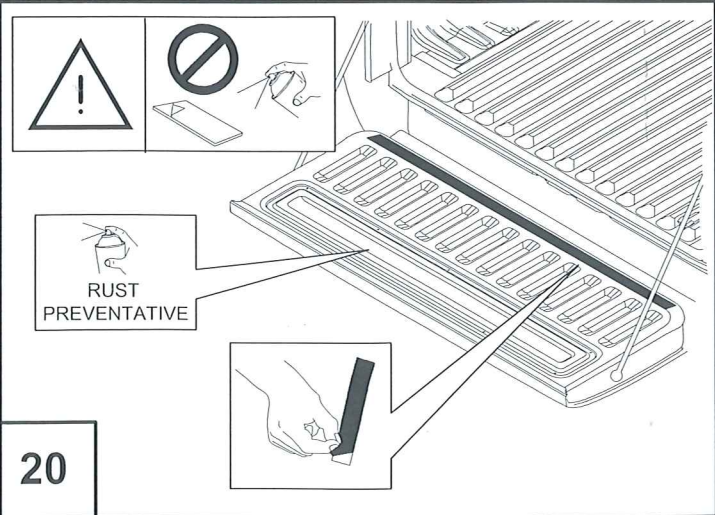
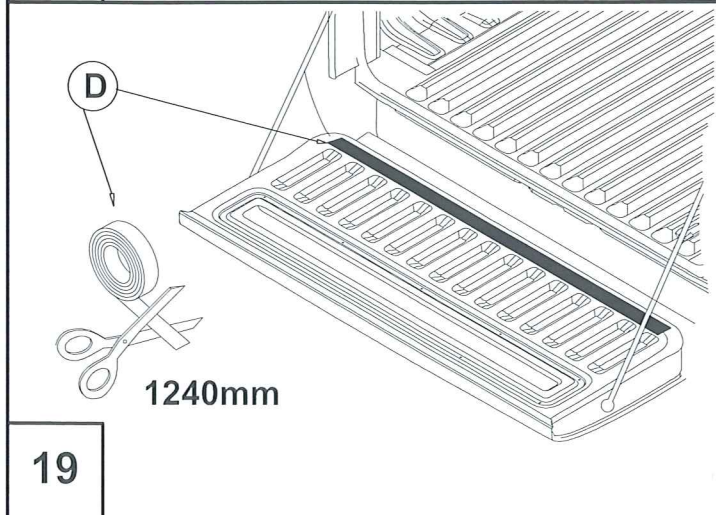
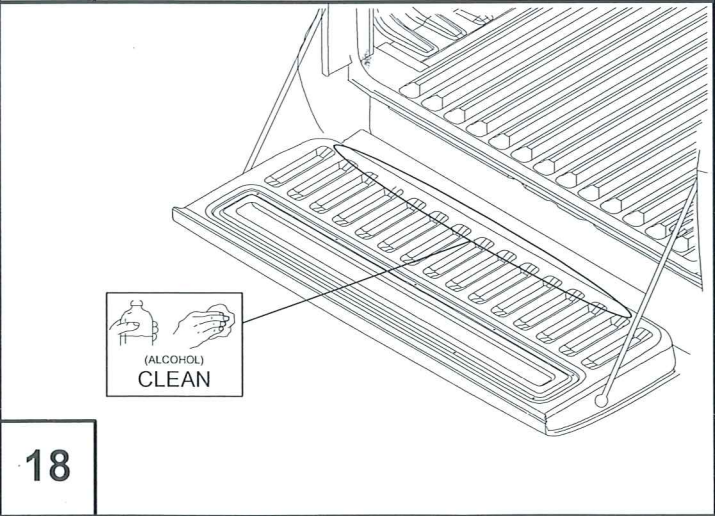
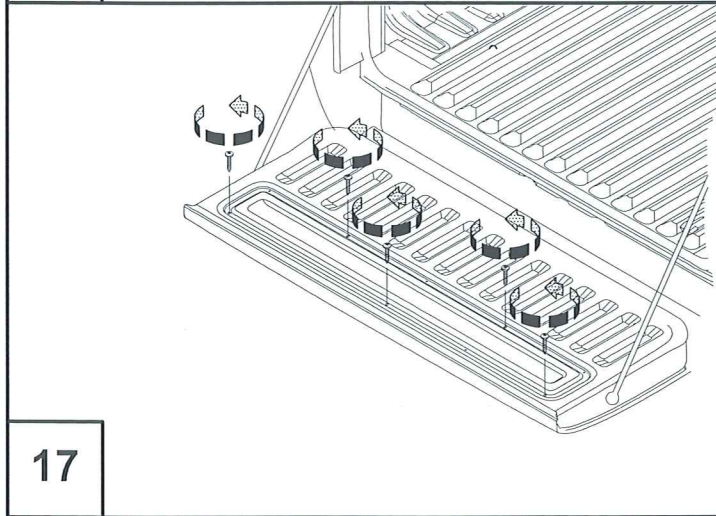
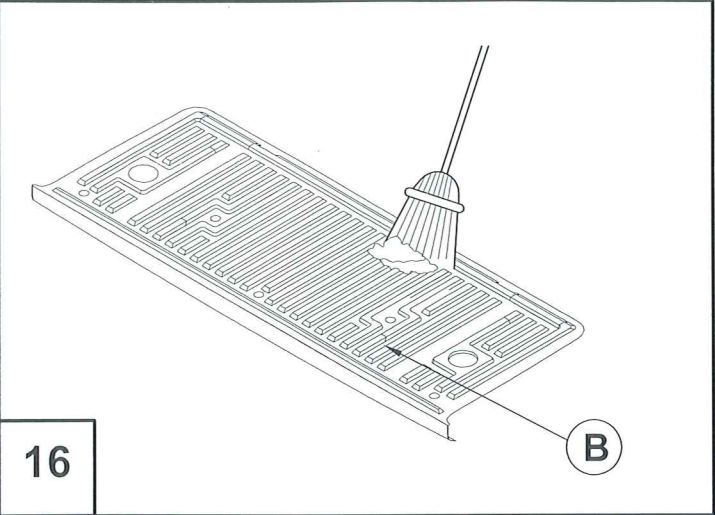
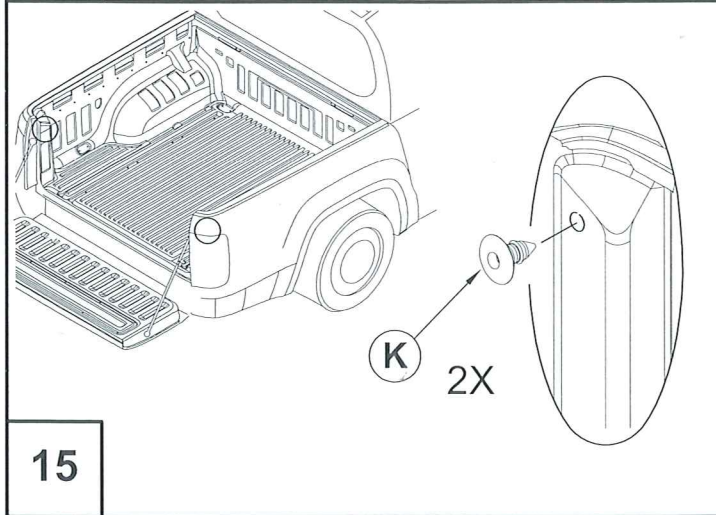
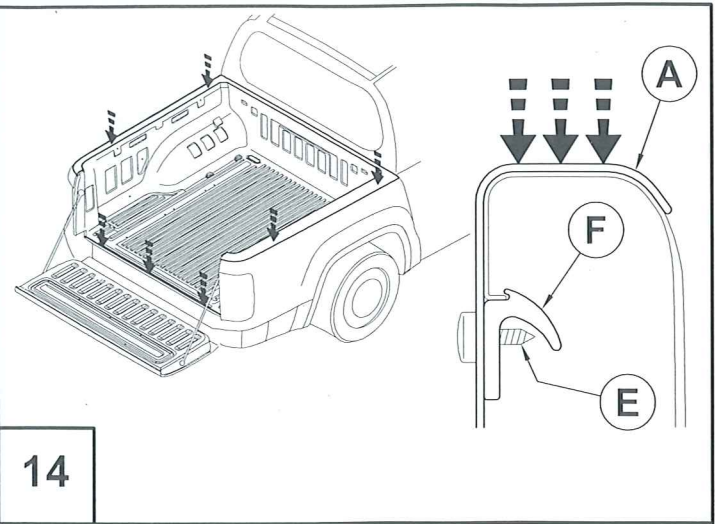
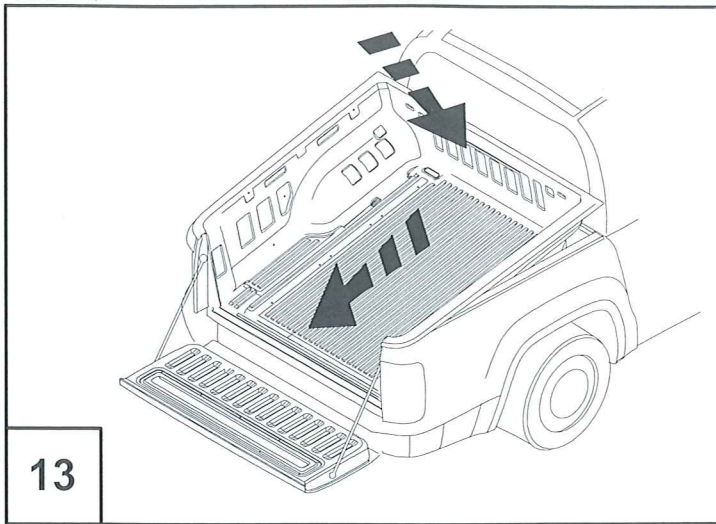
STEPS 1 AND 2 ARE OPTIONAL



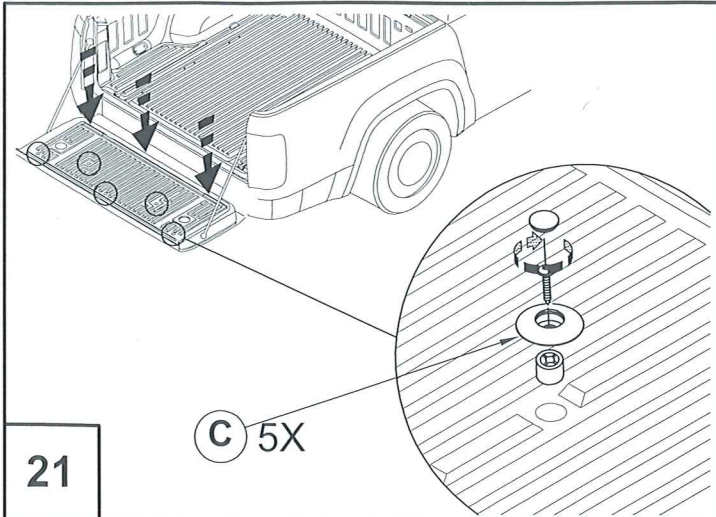
Fitting Kit Number	Manufacturer	Model Type	Year	Customer	Cab Size	UR or OR	Revision	Date	Page
IDFK520	Volkswagen	Amarok	2010	Restricted	DC	Over Rail	4	24-02-11	1 of 4



Fitting Kit Number	Manufacturer	Model Type	Year	Customer	Cab Size	UR or OR	Revision	Date	Page
IDFK520	Volkswagen	Amarok	2010	Restricted	DC	Over Rail	4	24-02-11	2 of 4



Fitting Kit Number	Manufacturer	Model Type	Year	Customer	Cab Size	UR or OR	Revision	Date	Page
IDFK520	Volkswagen	Amarok	2010	Restricted	DC	Over Rail	4	24-02-11	3 of 4



21

C 5X
