



FITMENT INSTRUCTIONS

MODCAP - FRONT FILLER KITS

DISCLAIMER

Preliminary information

All rights reserved. No part of this document may be reproduced, translated, stored in a retrieval system. Or transmitted, in any form or by any means, electronic, mechanical, photocopying, recording or otherwise, without prior written permission of the owner.

Review all instruction information carefully before installation.

Any damages, direct or indirect to the installer and/or property due to incorrect installation of any parts are the responsibility of the installer.

Due to the various application and fitment options available, the responsibility lies with the user to ensure all mounting points are secure and tight before every trip. If unsure, consult with your Distributor regarding the operations of our products.

Users are advised to be mindful of the load they are carrying and drive in accordance with road conditions.

This fitment instruction is applicable to all variations of Front Filler Kits, take note of which steps are applicable to a specific model.



Service Enquiries email
queries@alu-cab.com

Installation Instructions

The tables below show the equipment, i.e. tools and fasteners required to install the **MODCAP - FRONT FILLER KITS**

Tools & Items Required
4mm Allen Key
13mm Ratchet Spanner
13mm Socket and Socket Wrench
Rivet Gun*

*Rivet Gun is only required for Nissan Navara EU variation. Refer Step 7.1 for further information.



Fasteners Supplied	Qty
M6x20 B/HD BOLT S/S	6
M8x16 HEX BOLT S/S	10
M8x20 HEX BOLT S/S	2
M6x12mm FLAT WASHER S/S	6
M6 SPRING WASHER S/S	6
M8x16mm FLAT WASHER S/S	14
M8 NYLOC NUT S/S	12
NUT CAP - 8mm	10
4.8mm BLACK BLIND RIVET	4

Please be sure to lay out all parts provided on a table or flat surface in order to check that all required parts are accounted for and prevent potential frustration at a later stage.

Installation Instructions

STEP
0

The ModCap Front Filler Kit is intended for the Flat Roof variation, to enclose the cavity between the vehicle cabin and canopy.

If side fillers have been installed as part of the filler kit, ensure that they are removed prior to the front filler kit fitment.

Front filler kits can be installed in conjunction or after a ModCap installation.

ModCap front filler kits comprise of three primary parts and associated fasteners:

1. RHS Side Filler
2. LHS Side Filler
3. TOP Deflector

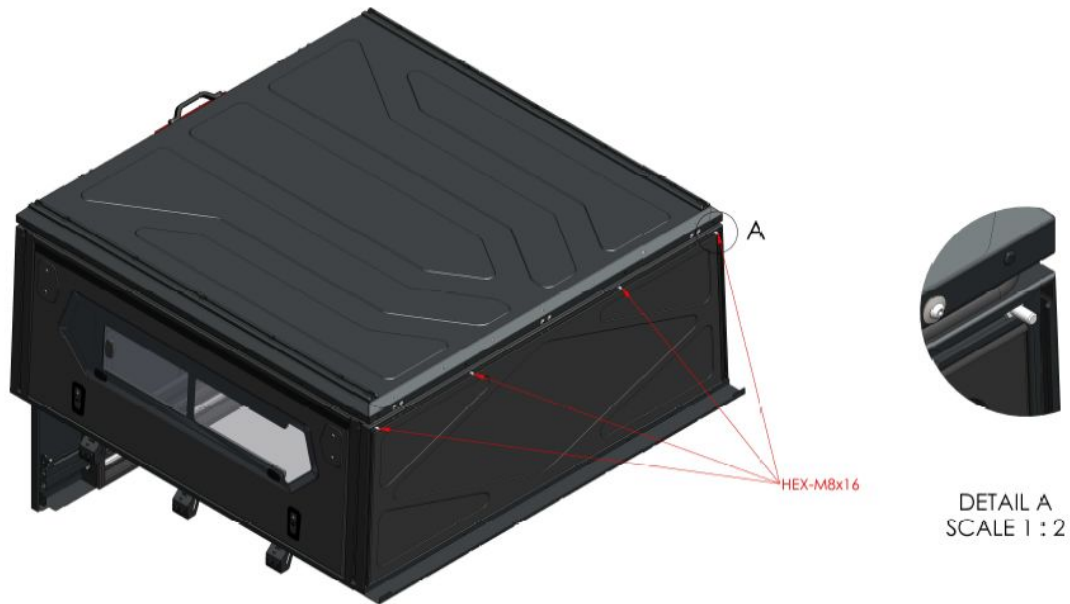


Installation Instructions

STEP
1

Identify the M8x16 Hex bolts in the fastener pack. Insert 4 x M8x16 bolts in the front top extruded load bar nut slot.

- The Top Deflector can be referenced for the bolt spacing in the front top horizontal load bar nut slot.



Installation Instructions

STEP
2

Fit the Top Deflector by aligning the mounting holes with the bolts that were inserted in Step 1.

- Note that the Top Deflector side flanges (orange face) fit on the inside of the LHS and RHS Side Filler parts.

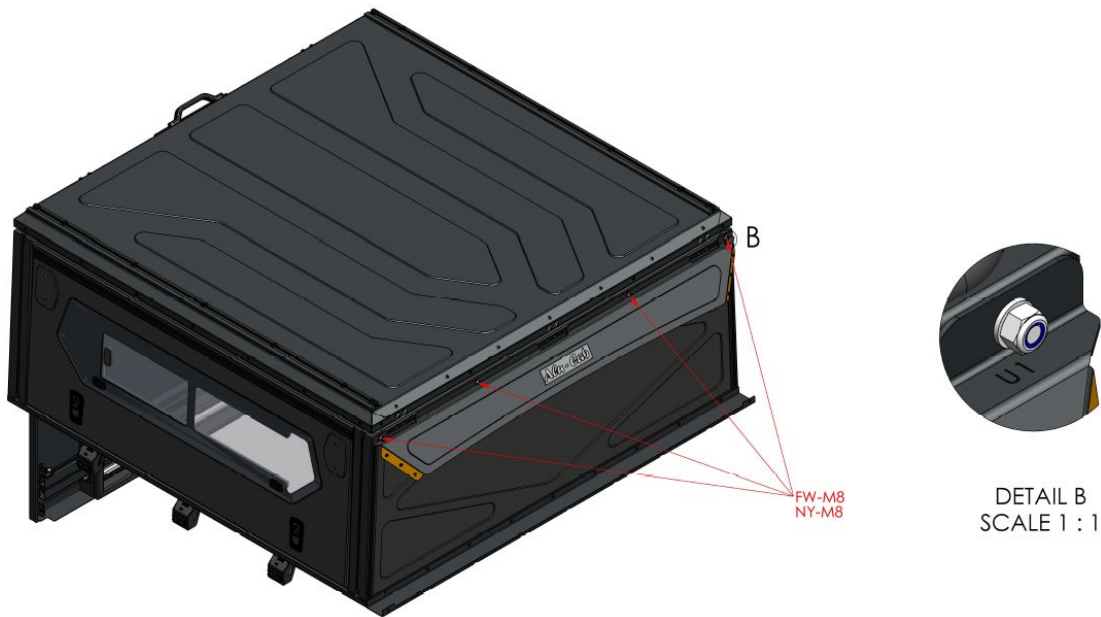


Installation Instructions

STEP
3

Secure the Top Deflector with 4 x M8 washer and 4 x M8 Nylock Nut fitted to the M8x16 bolts that were inserted in Step 1.

- Hand tighten the 4 x M8 Nylock nuts only, do not torque.



Installation Instructions

STEP
4

Insert 2 x M8x16 bolts in the front right side vertical extruded load bar nut slot.

Insert 1 x M8x16 bolt in the front right vertical extruded load bar nut slot.



DETAIL C
SCALE 1 : 4

Installation Instructions

STEP
5

Fit the RHS Side Filler by aligning the mounting slots with the bolts that were inserted in Step 4.



Installation Instructions

STEP
6

Secure the RHS Side Filler with 3 x M8 washer and 3 x M8 Nylock Nut fitted to the M8x16 bolts that were inserted in Step 4.

- Hand tighten the 3 x M8 Nylock nuts only, do not torque.



DETAIL D
SCALE 1 : 2

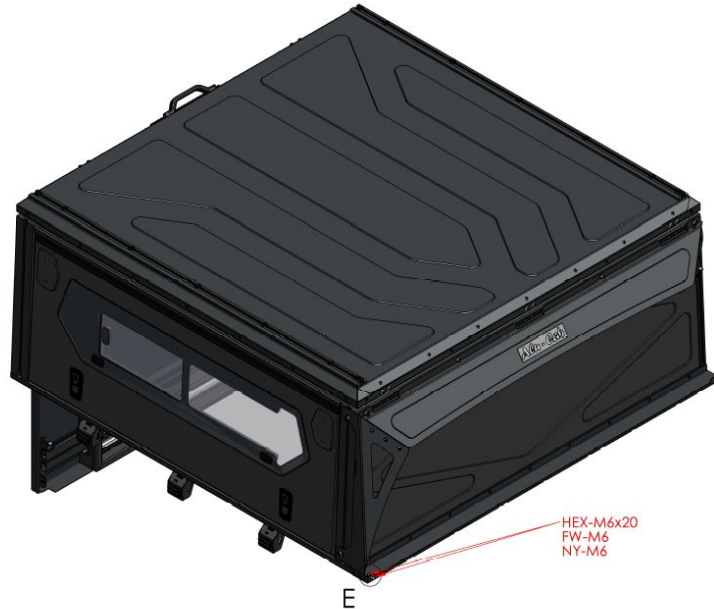
Installation Instructions

STEP
7

Secure the RHS Side Filler to the existing bottom filler plate with 1 x M8x20 Hex Bolt, 1 x M8 Washer and 1 x M8 Nylock Nut.*

*(Refer to Step 7.1 prior to Step 7, for specific installation instructions pertaining to the Nissan Navara EU Front Filler Kit variation.)

- Hand tighten the 1 x M8x20 Hex Bolt only, do not torque.



DETAIL E
SCALE 1 : 1

Installation Instructions

STEP
7.1

Secure the Bottom Filler Plate Bracket to the RHS Side Filler with 2 x 4.8mm Black Blind Rivets

- Step 7.1 pertains only to Nissan Navara EU variation of the Front Filler Kit.
- The Bracket is fitted on the inside of the RHS Side Filler,



4.8mm BLACK RIVETS



BOTTOM FILLER PLATE BRACKET

DETAIL E
SCALE 1 : 2

Installation Instructions

STEP
8

Secure the RHS Side Filler to the Top Deflector with 3 x M6x20 Button Head Bolts, 3 x M6 Washers and 3 x M6 Spring Washers.

- The Button Head Bolts thread into pre-installed M6 rivnut on the Top Deflector.
- Hand tighten the 3 x M6x20 Button Head Bolts only, do not torque.



DETAIL F
SCALE 1 : 2

Installation Instructions

STEP
9

Repeat Step 4 to Step 8 for the LHS Side Filler, bolts, washers and nylock nuts.

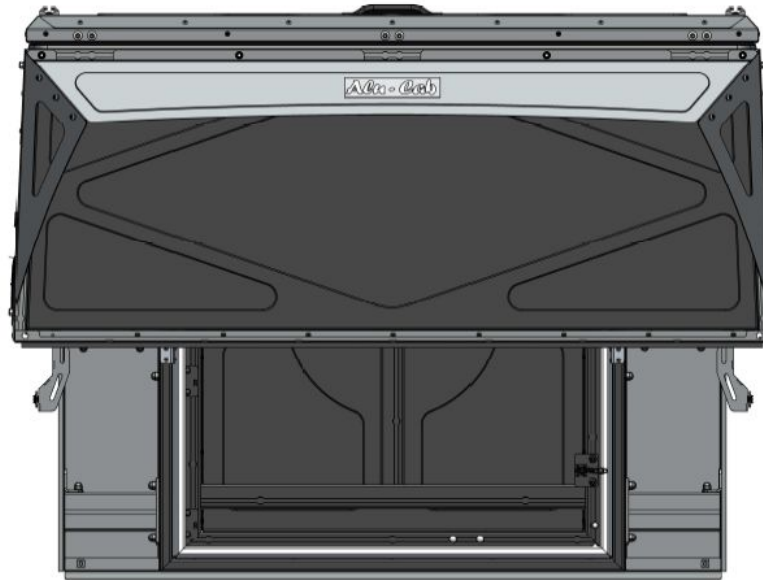


Installation Instructions

STEP
10

Check the alignment of the LHS Side Filler, RHS Side Filler and Top Deflector.

- Ensure all bolts are installed as per above instruction and that no bolts are cross-threaded.



Installation Instructions

STEP
11

Once the desired positioning of parts has been achieved, proceed to tighten the bolts and nuts.

- Start by tightening the top deflector bolts, followed by the inside Side Filler bolts, then the outside Side Filler bolts.

- The following torque specification must not be exceeded:

M6 - 10 N.m.

M8 - 16 N.m.



Installation Instructions

STEP
12

Install M8 Nut Caps to all the exposed M8 Hex Bolts and Nylock Nuts.



DETAIL G
SCALE 1 : 2

Installation Instructions

STEP
13

Install the Pinch Weld across the front edge of the Top Deflector.*

*Extent of Pinch Weld will vary between Front Filler Kit variations



Installation Instructions

STEP
14

Inspect the installation to ensure that all fasteners are installed and that the Front Filler Kit is secured to the ModCap Canopy absolutely.

Inspect the installation to ensure that there is sufficient clearance (25mm minimum) between the Front Filler Kit and the vehicle cabin.

- Consider chassis flex when undertaking extreme off road terrain.



DISCLAIMER



All rights reserved. No part of this website may be reproduced, translated, stored in a retrieval system, or transmitted, in any form or by any means, electronic, mechanical, photocopying, recording or otherwise, without prior written permission of the owner.

Review all instructions information carefully before installation.

Any damages, direct or incidental to the installer and/or property due to incorrect installation of any parts are the responsibility of the installer. Due to the various applications and fitment options available, the responsibility lies with the user to ensure all mounting points are secure and tight before every trip.

If unsure, consult with your Distributor regarding the operations of our products.

Users are advised to be mindful of the load they are carrying and drive in accordance with road conditions.

WARNING

Always wear appropriate PPE (Personal protection equipment) when fitting our products. Although the mounting kit is designed to be DIY, if you have any doubts or concerns, contact an accredited fitment centre to carry out the work. Alu-Cab will not be liable for any injury to persons, and/or damage to products and/or vehicles.

While Alu-Cab Holdings takes reasonable measures to ensure that the contents of this Website are accurate and complete, Alu-Cab Holdings makes no representations or warranties, whether express or implied, as to the quality, timeliness, operation, integrity, availability or functionality of this Website or as to the accuracy, completeness or reliability of any information on this Website. Alu-Cab Holdings reserves the right to make changes, corrections and/or improvements to the information and to the products and programs described in such information, at any time without notice.

Alu-Cab Holdings will use reasonable endeavours to maintain the availability of the Website, except during scheduled maintenance periods, and reserves the right to discontinue providing the Website or the service or any part thereof with or without notice to you. Any person who accesses this Website or relies on this Website or on the information contained in this Website does so at his or her own risk.

Occasionally, at our discretion, we may include or offer third-party products or services on our website. These third-party sites have separate and independent privacy policies. We therefore have no responsibility or liability for the content and activities of these linked sites. Nonetheless, we seek to protect the integrity of our site and welcome any feedback about these sites.