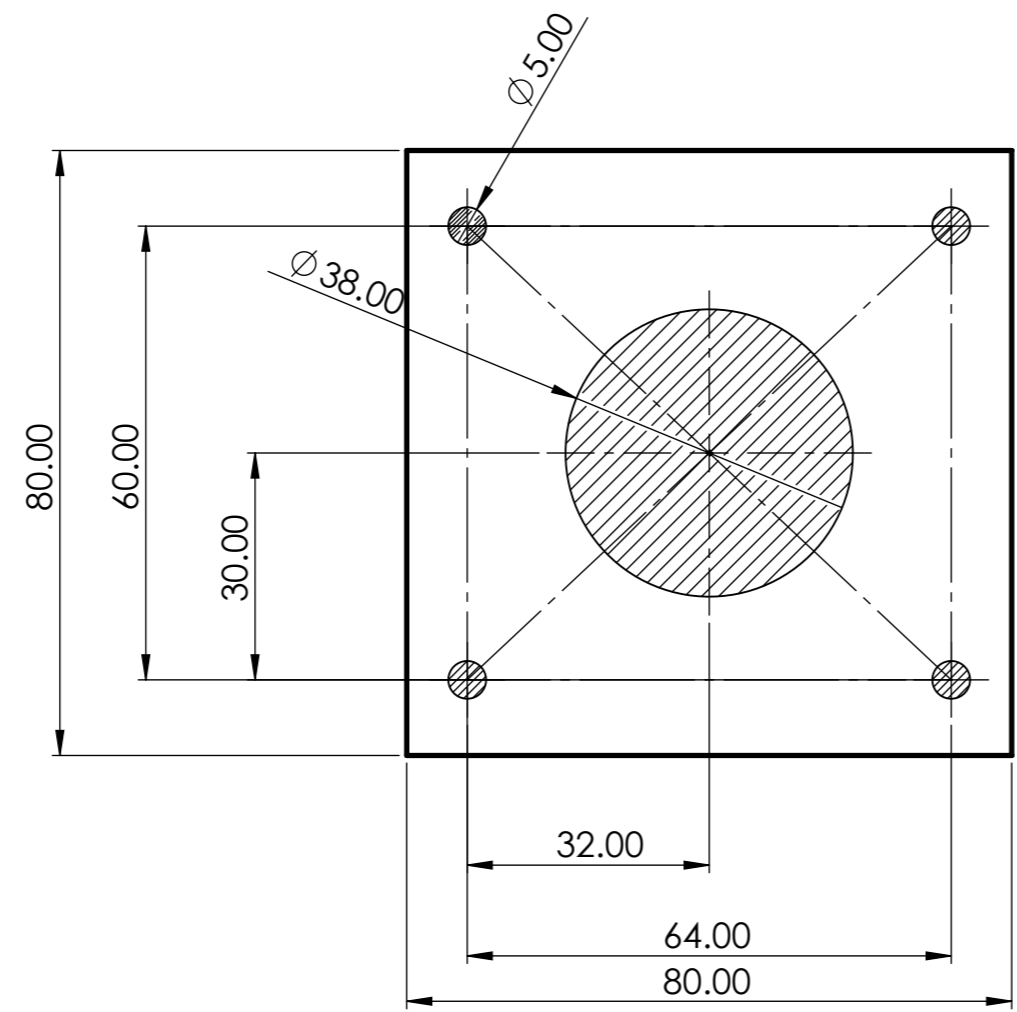


PART INFO	MASS (kg):	
	ORDERING:	
PROCESS INFO	SHEET METAL:	
	LASER CUT:	
	PUNCHED:	
	MACHINED:	
	OFF THE SHELF:	
	CNC ROUTING:	
	WELDED:	
CUT:		
DRILL / TAP:		
TUMBLED:		
BRUSHED:		
POWDER:		
SPRAY:		
COLOUR:	N/A	



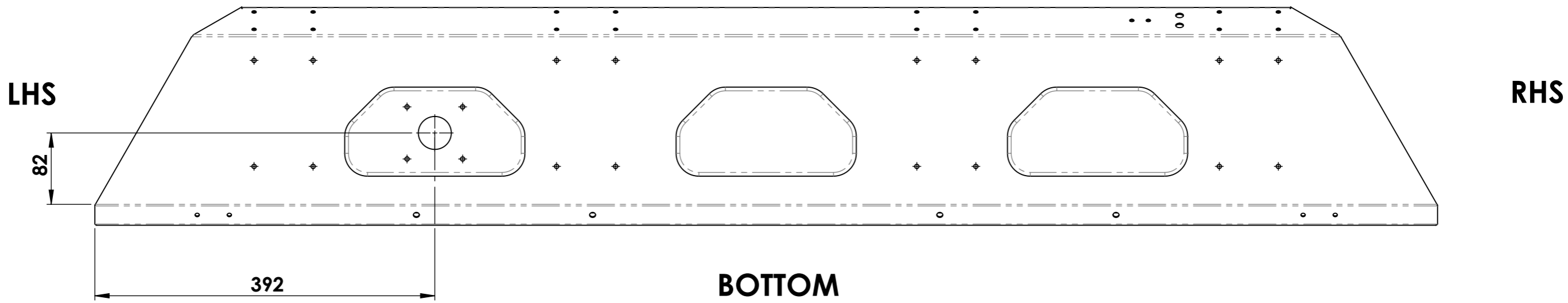
AIR VENT DRILLING TEMPLATE

<i>TOLERANCES TO ASSUME UNLESS INDICATED OTHERWISE</i>		<i>MATERIAL DESCRIPTION:</i>			<i>MATERIAL THICKNESS (mm):</i>	
NOM DIMENSION RANGE (mm)	TOLERANCE	<i>DESCRIPTION:</i>			<i>SHEET:</i> A3	<i>SHEET</i> 1 of 4
0.50 - 3.00	± 0.10	PROJECT: CC2-BO-TENT			<i>SCALE:</i> 1:1	
3.00 - 6.00	± 0.15					
6.00 - 30	± 0.20					
30 - 120	± 0.30					
120 - 400	± 0.50					
400 - 1000	± 1.00	<i>DRAWN BY:</i> System Administrator			<i>DATE:</i> 2024-01-23	
1000 - 1000<	± 2.00	<i>THE INFORMATION CONTAINED WITHIN THIS DOCUMENT IS THE INTELLECTUAL PROPERTY OF ALU-CAB (PTY) LTD</i>			<i>DRAWING NO.:</i> AIR VENT DRILLING TEMPLATE	
					<i>REV</i>	



PART INFO	MASS (kg):	
	ORDERING:	
PROCESS INFO	SHEET METAL:	
	LASER CUT:	
	PUNCHED:	
	MACHINED:	
	OFF THE SHELF:	
	CNC ROUTING:	
	WELDED:	
CUT:		
DRILL / TAP:		
TUMBLED:		
BRUSHED:		
POWDER:		
SPRAY:		
COLOUR:	N/A	

TOP



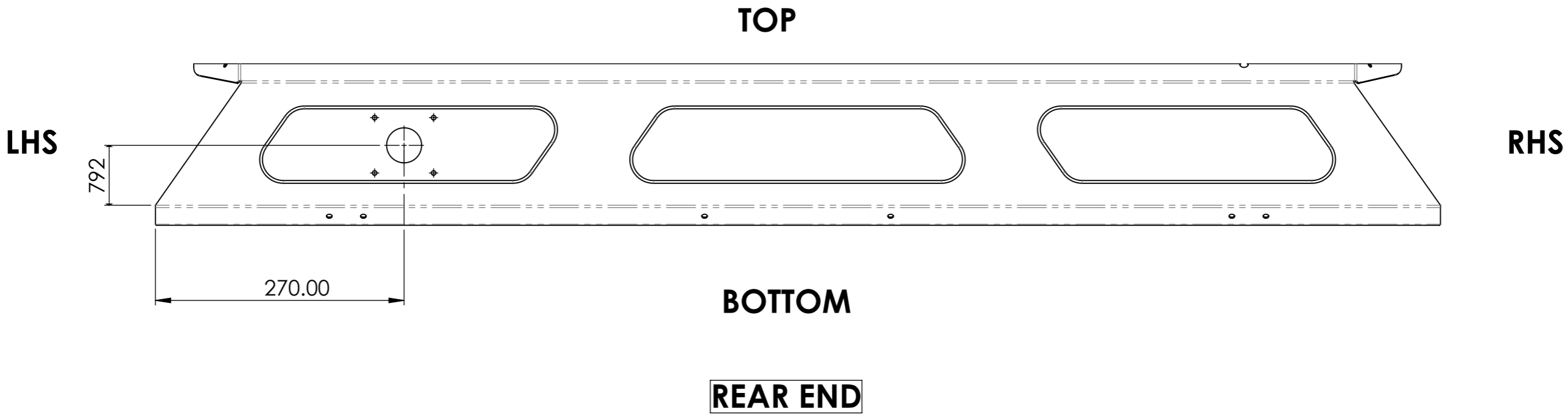
BOTTOM

REAR END

**CANOPY CAMPER/ALUCABIN
AIR VENT PREFERRED POSITION**

TOLERANCES TO ASSUME UNLESS INDICATED OTHERWISE		MATERIAL DESCRIPTION:		MATERIAL THICKNESS (mm):																	
<table border="1"> <thead> <tr> <th>NOM DIMENSION RANGE (mm)</th> <th>TOLERANCE</th> </tr> </thead> <tbody> <tr> <td>0.50 - 3.00</td> <td>± 0.10</td> </tr> <tr> <td>3.00 - 6.00</td> <td>± 0.15</td> </tr> <tr> <td>6.00 - 30</td> <td>± 0.20</td> </tr> <tr> <td>30 - 120</td> <td>± 0.30</td> </tr> <tr> <td>120 - 400</td> <td>± 0.50</td> </tr> <tr> <td>400 - 1000</td> <td>± 1.00</td> </tr> <tr> <td>1000 - 1000<</td> <td>± 2.00</td> </tr> </tbody> </table>	NOM DIMENSION RANGE (mm)	TOLERANCE	0.50 - 3.00	± 0.10	3.00 - 6.00	± 0.15	6.00 - 30	± 0.20	30 - 120	± 0.30	120 - 400	± 0.50	400 - 1000	± 1.00	1000 - 1000<	± 2.00	DESCRIPTION: PROJECT: CC2-BO-TENT		SHEET: A3	SHEET: 2 of 4	
NOM DIMENSION RANGE (mm)	TOLERANCE																				
0.50 - 3.00	± 0.10																				
3.00 - 6.00	± 0.15																				
6.00 - 30	± 0.20																				
30 - 120	± 0.30																				
120 - 400	± 0.50																				
400 - 1000	± 1.00																				
1000 - 1000<	± 2.00																				
PROJECT: CC2-BO-TENT		SCALE: 1:5	DRAWING NO.:		REV																
DRAWN BY: System Administrator		DATE: 2024-01-23	AIR VENT DRILLING TEMPLATE																		
<small>THE INFORMATION CONTAINED WITHIN THIS DOCUMENT IS THE INTELLECTUAL PROPERTY OF ALU-CAB (PTY) LTD</small>																					

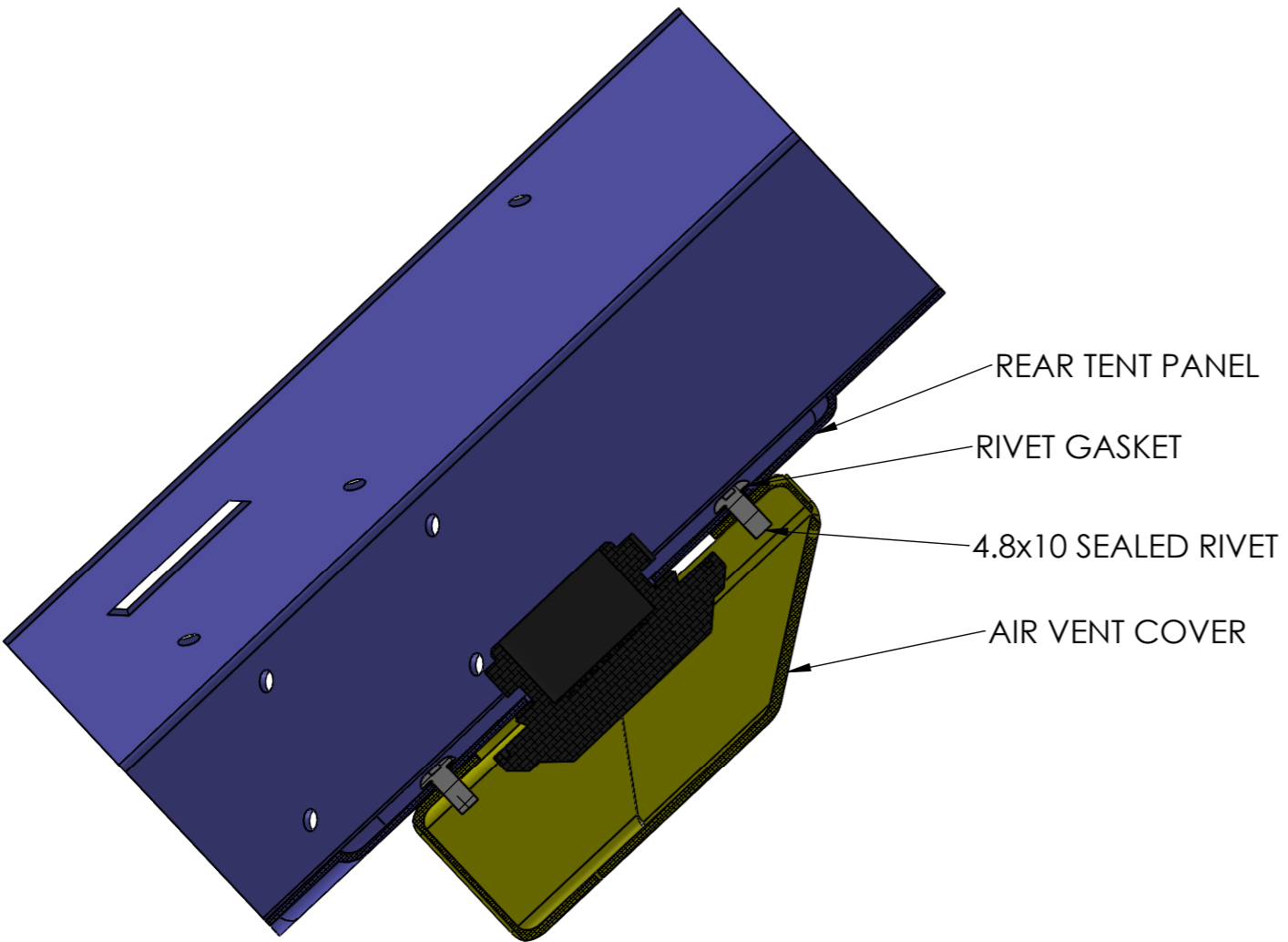
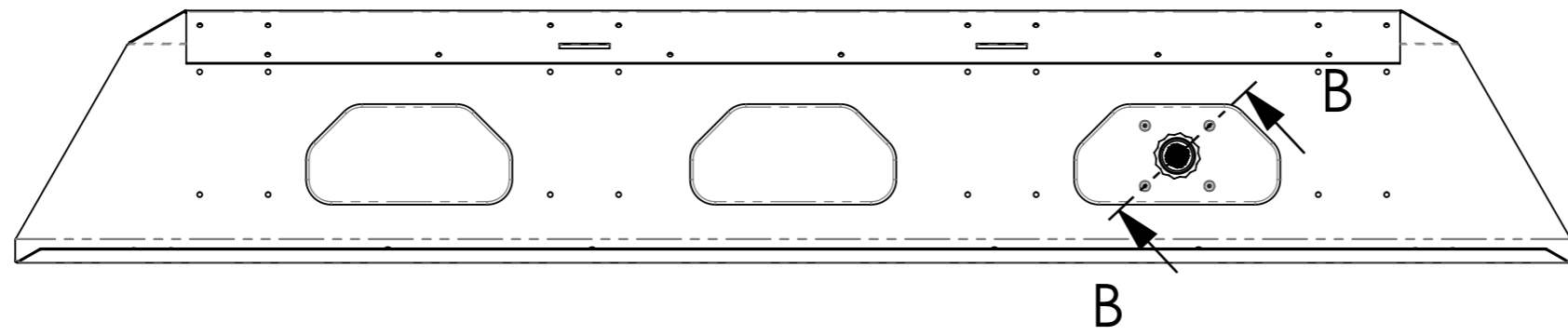
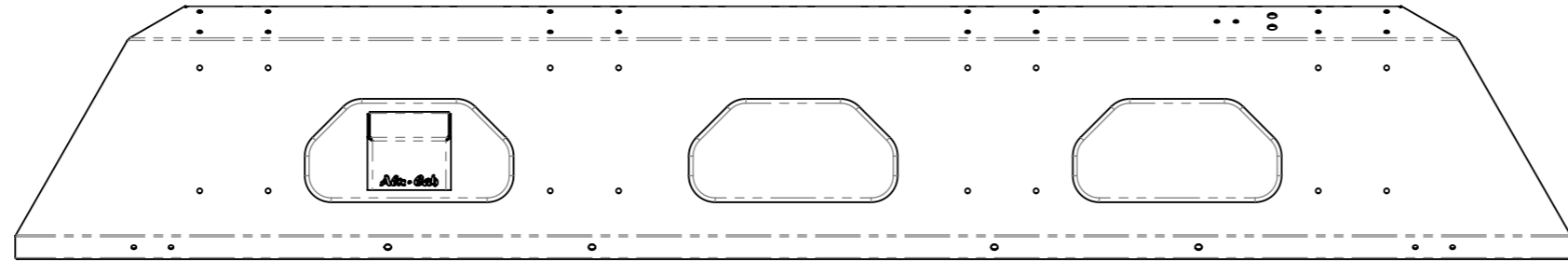
PART INFO	MASS (kg):	
	ORDERING:	
PROCESS INFO	SHEET METAL:	
	LASER CUT:	
	PUNCHED:	
	MACHINED:	
	OFF THE SHELF:	
	CNC ROUTING:	
	WELDED:	
CUT:		
DRILL / TAP:		
TUMBLED:		
BRUSHED:		
POWDER:		
SPRAY:		
COLOUR:	N/A	




**GEN3, GEN3.1 & GEN3R
AIR VENT PREFERRED POSITION**

TOLERANCES TO ASSUME UNLESS INDICATED OTHERWISE		MATERIAL DESCRIPTION:		MATERIAL THICKNESS (mm):																	
<table border="1"> <thead> <tr> <th>NOM DIMENSION RANGE (mm)</th> <th>TOLERANCE</th> </tr> </thead> <tbody> <tr> <td>0.50 - 3.00</td> <td>± 0.10</td> </tr> <tr> <td>3.00 - 6.00</td> <td>± 0.15</td> </tr> <tr> <td>6.00 - 30</td> <td>± 0.20</td> </tr> <tr> <td>30 - 120</td> <td>± 0.30</td> </tr> <tr> <td>120 - 400</td> <td>± 0.50</td> </tr> <tr> <td>400 - 1000</td> <td>± 1.00</td> </tr> <tr> <td>1000 - 1000<</td> <td>± 2.00</td> </tr> </tbody> </table>	NOM DIMENSION RANGE (mm)	TOLERANCE	0.50 - 3.00	± 0.10	3.00 - 6.00	± 0.15	6.00 - 30	± 0.20	30 - 120	± 0.30	120 - 400	± 0.50	400 - 1000	± 1.00	1000 - 1000<	± 2.00	DESCRIPTION: PROJECT: CC2-BO-TENT		SHEET: A3	SHEET 3 of 4	
NOM DIMENSION RANGE (mm)	TOLERANCE																				
0.50 - 3.00	± 0.10																				
3.00 - 6.00	± 0.15																				
6.00 - 30	± 0.20																				
30 - 120	± 0.30																				
120 - 400	± 0.50																				
400 - 1000	± 1.00																				
1000 - 1000<	± 2.00																				
DRAWN BY: System Administrator		DATE: 2024-01-23	DRAWING NO.:	REV:																	
THE INFORMATION CONTAINED WITHIN THIS DOCUMENT IS THE INTELLECTUAL PROPERTY OF ALU-CAB (PTY) LTD			AIR VENT DRILLING TEMPLATE																		

PART INFO	MASS (kg):	
	ORDERING:	
PROCESS INFO	SHEET METAL:	
	LASER CUT:	
	PUNCHED:	
	MACHINED:	
	OFF THE SHELF:	
	CNC ROUTING:	
	WELDED:	
CUT:		
DRILL / TAP:		
TUMBLED:		
BRUSHED:		
POWDER:		
SPRAY:		
COLOUR:	N/A	



SECTION B-B
SCALE 1 : 1.5

TOLERANCES TO ASSUME UNLESS INDICATED OTHERWISE		MATERIAL DESCRIPTION:		MATERIAL THICKNESS (mm):	
NOM DIMENSION RANGE (mm)	TOLERANCE	DESCRIPTION:		SHEET: A3	SHEET 4 of 4
0.50 - 3.00	± 0.10	PROJECT: CC2-BO-TENT		SCALE: 1:7	
3.00 - 6.00	± 0.15	DRAWN BY: System Administrator			
6.00 - 30	± 0.20	DATE: 2024-01-23			
30 - 120	± 0.30	DRAWING NO.		REV	
120 - 400	± 0.50	THE INFORMATION CONTAINED WITHIN THIS DOCUMENT IS THE INTELLECTUAL PROPERTY OF ALU-CAB (PTY) LTD		AIR VENT DRILLING TEMPLATE	
400 - 1000	± 1.00	PROJECT: CC2-BO-TENT			
1000 - 1000<	± 2.00				