



FITMENT INSTRUCTIONS

GUTTER MOUNT

Disclaimer

All rights reserved. No part of this website may be reproduced, translated, stored in a retrieval system, or transmitted, in any form or by any means, electronic, mechanical, photocopying, recording or otherwise, without prior written permission of the owner.

Review all instructions information carefully before installation.

Any damages, direct or incidental to the installer and/or property due to incorrect installation of any parts are the responsibility of the installer. Due to the various applications and fitment options available, the responsibility lies with the user to ensure all mounting points are secure and tight before every trip.

If unsure, consult with your Distributor regarding the operations of our products.

Users are advised to be mindful of the load they are carrying and drive in accordance with road conditions.

WARNING

Always wear appropriate PPE (Personal protection equipment) when fitting our products. Although the mounting kit is designed to be DIY, if you have any doubts or concerns, contact an accredited fitment centre to carry out the work. Alu-Cab will not be liable for any injury to persons, and/or damage to products and/or vehicles.

While Alu-Cab Holdings takes reasonable measures to ensure that the contents of this Website are accurate and complete, Alu-Cab Holdings makes no representations or warranties, whether express or implied, as to the quality, timeliness, operation, integrity, availability or functionality of this Website or as to the accuracy, completeness or reliability of any information on this Website. Alu-Cab Holdings reserves the right to make changes, corrections and/or improvements to the information and to the products and programs described in such information, at any time without notice.

Alu-Cab Holdings will use reasonable endeavours to maintain the availability of the Website, except during scheduled maintenance periods, and reserves the right to discontinue providing the Website or the service or any part thereof with or without notice to you. Any person who accesses this Website or relies on this Website or on the information contained in this Website does so at his or her own risk.

Occasionally, at our discretion, we may include or offer third-party products or services on our website. These third-party sites have separate and independent privacy policies. We therefore have no responsibility or liability for the content and activities of these linked sites. Nonetheless, we seek to protect the integrity of our site and welcome any feedback about these sites.

Additional Load-Bar Information

There are two load bar lengths 1250 mm and 1450 mm.

With gutter mounts and load bars you will be able to fit a variety of Alu-Cab Products.

Please reach out to your local dealer to assist.

**Please note that Load Bar Extensions are not advisable

Installation Instructions

STEP
1

The tables below show the equipment, i.e. tools and fasteners required to install the Gutter Mount to the vehicle.

1.1

Tools & Items Required

TOOL
5mm Allen Key
13mm Spanner / Socket
Ratchet (Optional)
5mm Allen Key Socket (Optional)

1.2

Fasteners Supplied (included with Gutter Mount)

ITEM	QTY	ITEM	QTY
M8 x 20mm Button Head Bolt	6	M8 Flat washers	4
M8 x 20mm Hex Head Bolt	4	M8 Large Flat washers	12
M8 x 20mm Cup Square Bolt	2	M8 Spring washers	2
M8 Nut	2	M8 Plastic Nut Caps	10
M8 Nyloc Nut	10		

queries@alu-cab.com
www.alu-cab.com/

Please be sure to lay out all parts provided on a table or flat surface in order to check that all required parts are accounted for and prevent potential frustration at a later stage.

Installation Instructions: Gutter Mount

STEP
1

Please confirm that all the required parts and fasteners are accounted for and lay them out on a table or flat surface.

1.3

Hardware Required

ITEM NO.	DESCRIPTION	QTY
1	GUTTER MOUNT TOP PLATE	2
2	GUTTER MOUNT TENSION PLATE	2
3	GUTTER MOUNT MOUNTING PLATE	2
4	RUBBER CHANNEL 3mm	2
5	RUBBER CHANNEL 5mm	2
6	ANTI-SCUFF DECAL	2

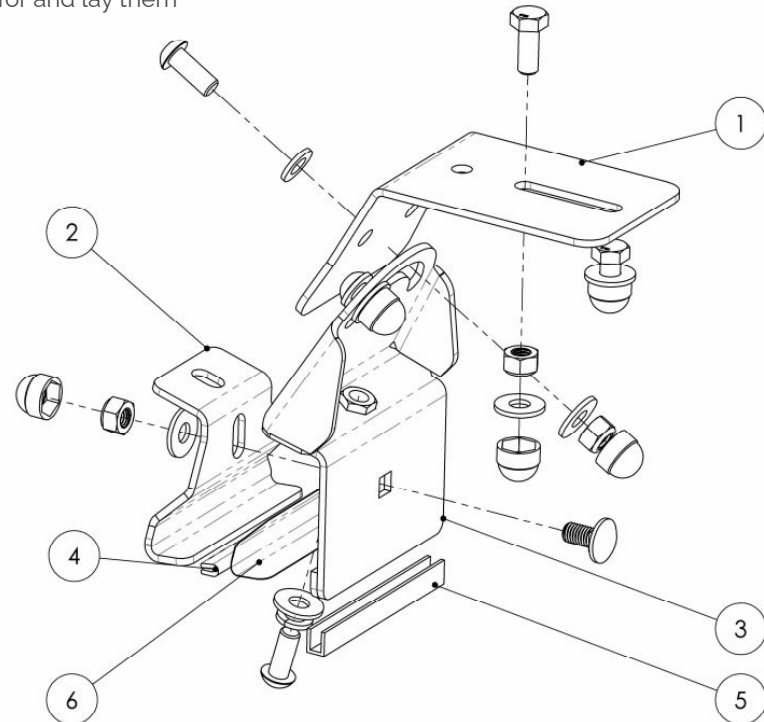


Figure 1: Gutter Mount - Exploded View

Installation Instructions: Gutter Mount

STEP
2

Attach the Rubber Channels and the anti-scuff decal

STEP
2.1

Attach the 5mm rubber channel to the mounting plate.



Figure 2: Gutter Mount with 5mm rubber channel

STEP
2.2

Apply anti-scuff decal to the tension plate.



Figure 3: Anti-scuff decal application

Installation Instructions: Gutter Mount

STEP
2.3

Attach the 3mm rubber channel to the tension plate.

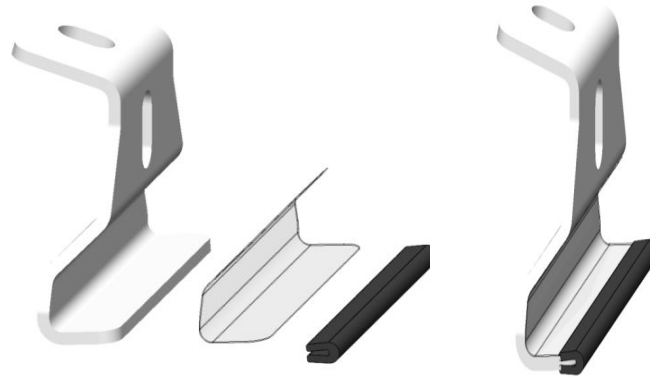


Figure 4: Tension Plate with 3mm rubber channel

Installation Instructions

STEP
3

To prepare to mount the Gutter Mounts with Load Bar:

Ensure the Load Bar spans the width of the roof of your vehicle, and that both the slot and the through hole of the Gutter Mount Top Plate are secured to the load bar as seen in the illustration below.

Load bars are supplied on their own, without feet, in silver and black in lengths of 1250mm and 1450mm.

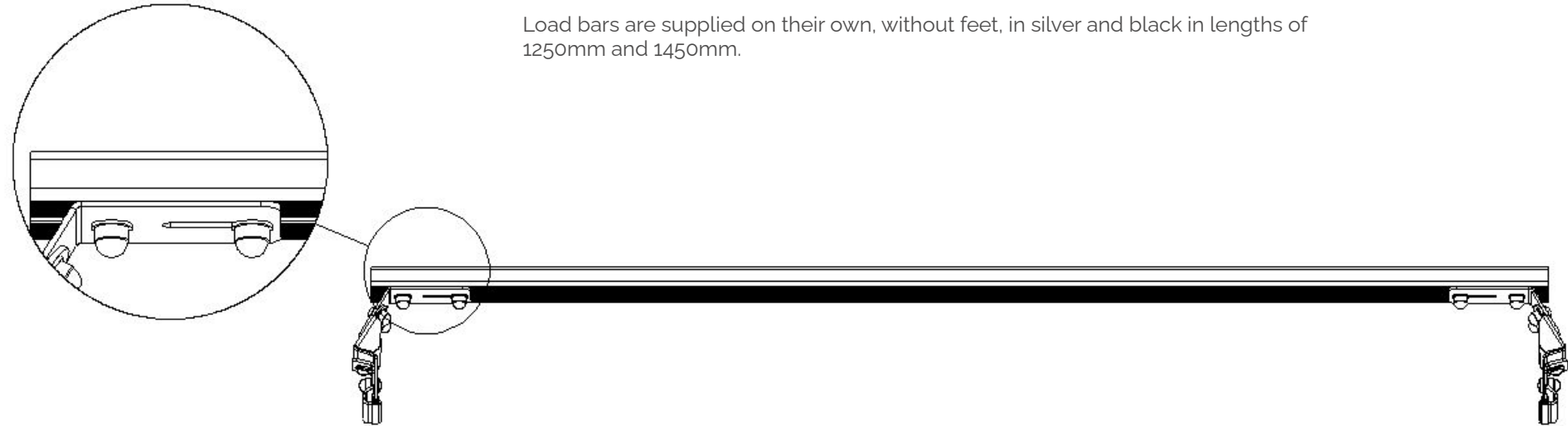


Figure 5: Load bar mounting to Top Plate

Installation Instructions

STEP
4

Mounting the Gutter Mount:

STEP
4.1

Place Mount Plate vertically in the gutter.

Align the Tension Plate to the Mount Plate via the cup square bolt.

Lightly attach the M8X20 button head bolt in the tension plate.

Tighten the cup square bolt so that the Mount Plate and Tension Plate are parallel.

Now tighten the M8 button head screw to clamp onto the gutter.

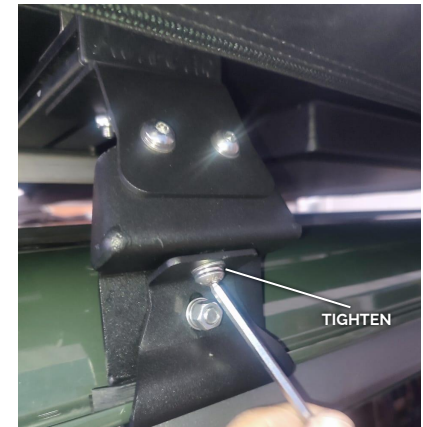
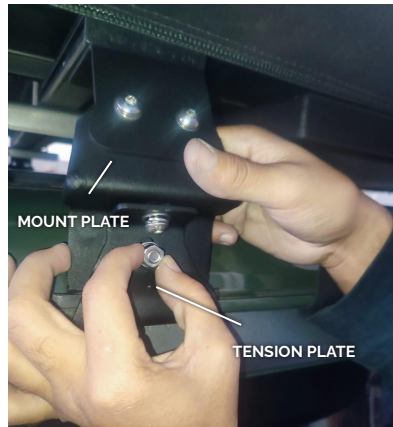


Figure 6: Mounting Gutter Mount

Installation Instructions

STEP
4.2

Check the M8 Nut and tighten accordingly.

Check the clamping by verifying the the 3mm rubber channel is compressed under the gutter.

Repeat on the opposite side, ensuring the Gutter Mounts are aligned.

Ensure that load bar is fixed on both the single hole and slot (Figure 5).



Figure 7: Completing gutter mount fitment

Disclaimer

All rights reserved. No part of this website may be reproduced, translated, stored in a retrieval system, or transmitted, in any form or by any means, electronic, mechanical, photocopying, recording or otherwise, without prior written permission of the owner.

Review all instructions information carefully before installation.

Any damages, direct or incidental to the installer and/or property due to incorrect installation of any parts are the responsibility of the installer. Due to the various applications and fitment options available, the responsibility lies with the user to ensure all mounting points are secure and tight before every trip.

If unsure, consult with your Distributor regarding the operations of our products.

Users are advised to be mindful of the load they are carrying and drive in accordance with road conditions.

WARNING

Always wear appropriate PPE (Personal protection equipment) when fitting our products. Although the mounting kit is designed to be DIY, if you have any doubts or concerns, contact an accredited fitment centre to carry out the work. Alu-Cab will not be liable for any injury to persons, and/or damage to products and/or vehicles.

While Alu-Cab Holdings takes reasonable measures to ensure that the contents of this Website are accurate and complete, Alu-Cab Holdings makes no representations or warranties, whether express or implied, as to the quality, timeliness, operation, integrity, availability or functionality of this Website or as to the accuracy, completeness or reliability of any information on this Website. Alu-Cab Holdings reserves the right to make changes, corrections and/or improvements to the information and to the products and programs described in such information, at any time without notice.

Alu-Cab Holdings will use reasonable endeavours to maintain the availability of the Website, except during scheduled maintenance periods, and reserves the right to discontinue providing the Website or the service or any part thereof with or without notice to you. Any person who accesses this Website or relies on this Website or on the information contained in this Website does so at his or her own risk.

Occasionally, at our discretion, we may include or offer third-party products or services on our website. These third-party sites have separate and independent privacy policies. We therefore have no responsibility or liability for the content and activities of these linked sites. Nonetheless, we seek to protect the integrity of our site and welcome any feedback about these sites.