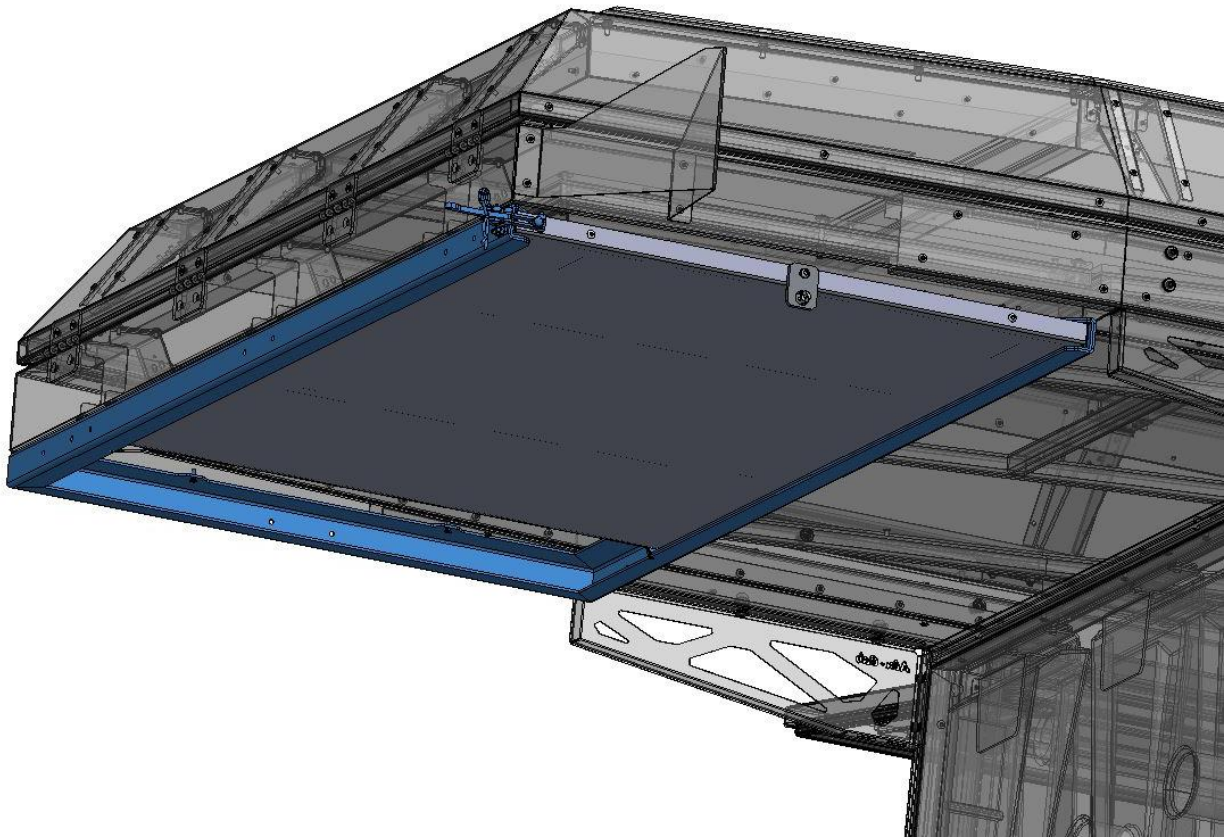


FITMENT INSTRUCTIONS

Alu-Cab™



KHAYA & CANOPY CAMPER TABLE SLIDE (CC-A-TS)

All rights reserved. No part of this document may be reproduced, translated, stored in a retrieval system, or transmitted, in any form or by any means, electronic, mechanical, photocopying, recording or otherwise, without prior written permission of the owner.

Review all instructions information carefully before installation.

Any damages, direct or incidental to the installer and/or property due to incorrect installation of any parts are the responsibility of the installer. Due to the various applications and fitment options available, the responsibility lies with the user to ensure all mounting points are secure and tight before every trip. If unsure, consult with your Distributor regarding the operations of our products.

Users are advised to be mindful of the load they are carrying and drive in accordance with road conditions.

DISCLAIMER

Alu-Cab

1. Table Slide Fitment – Tools, Fasteners & Materials

The tables below show the equipment, i.e. tools and fasteners required to start the Table Slide fitment onto a Khaya or Canopy Camper.

Tools & Items Required:

TOOLS	ITEM
Pencil	50/50 Isopropyl Alcohol & Water solution
Rivet Gun	Cloth
Measuring Tape	Black sealant, Sikaflex or similar
Drill	
Drill Bit Ø5	

Fasteners supplied: (Included with the Table Slide)

ITEM	QTY
Ø4.8x15 Sealed Rivet	10

Hardware Required: (Included with the Table Slide)

ITEM	DESCRIPTION	QTY
CC-A-TS	Camper Table Slide	1

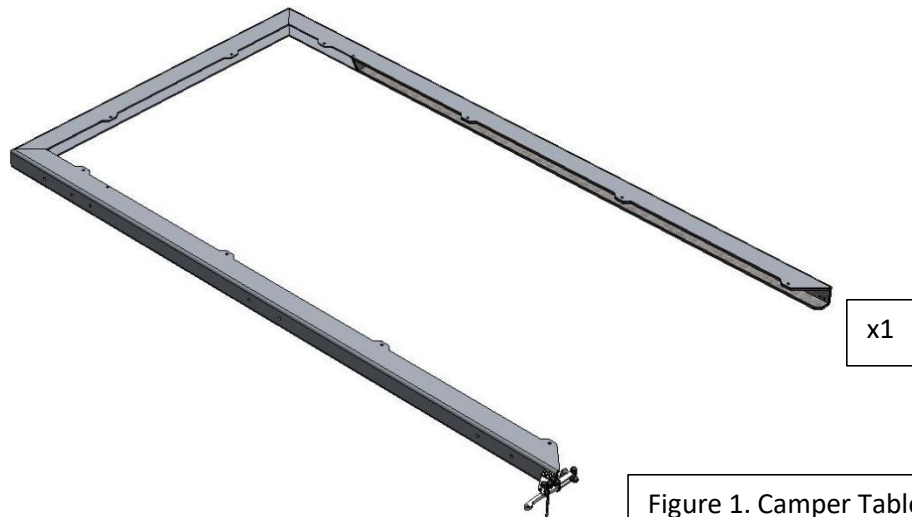


Figure 1. Camper Table Slide

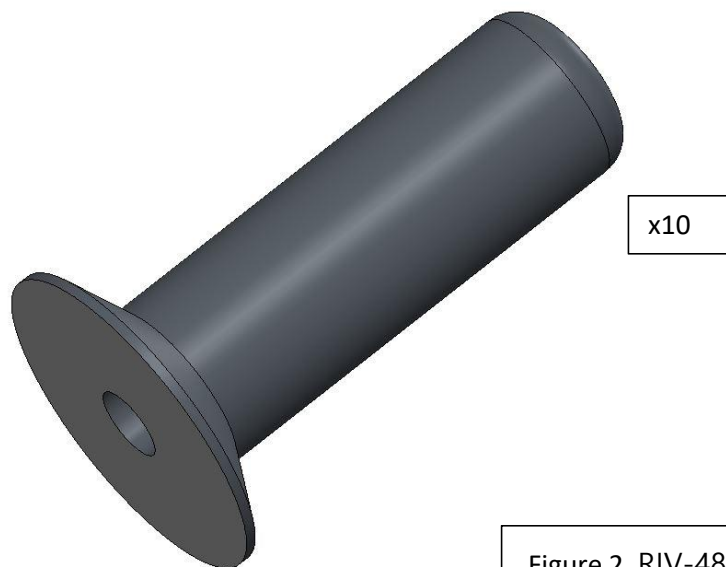


Figure 2. RIV-4815ASSC



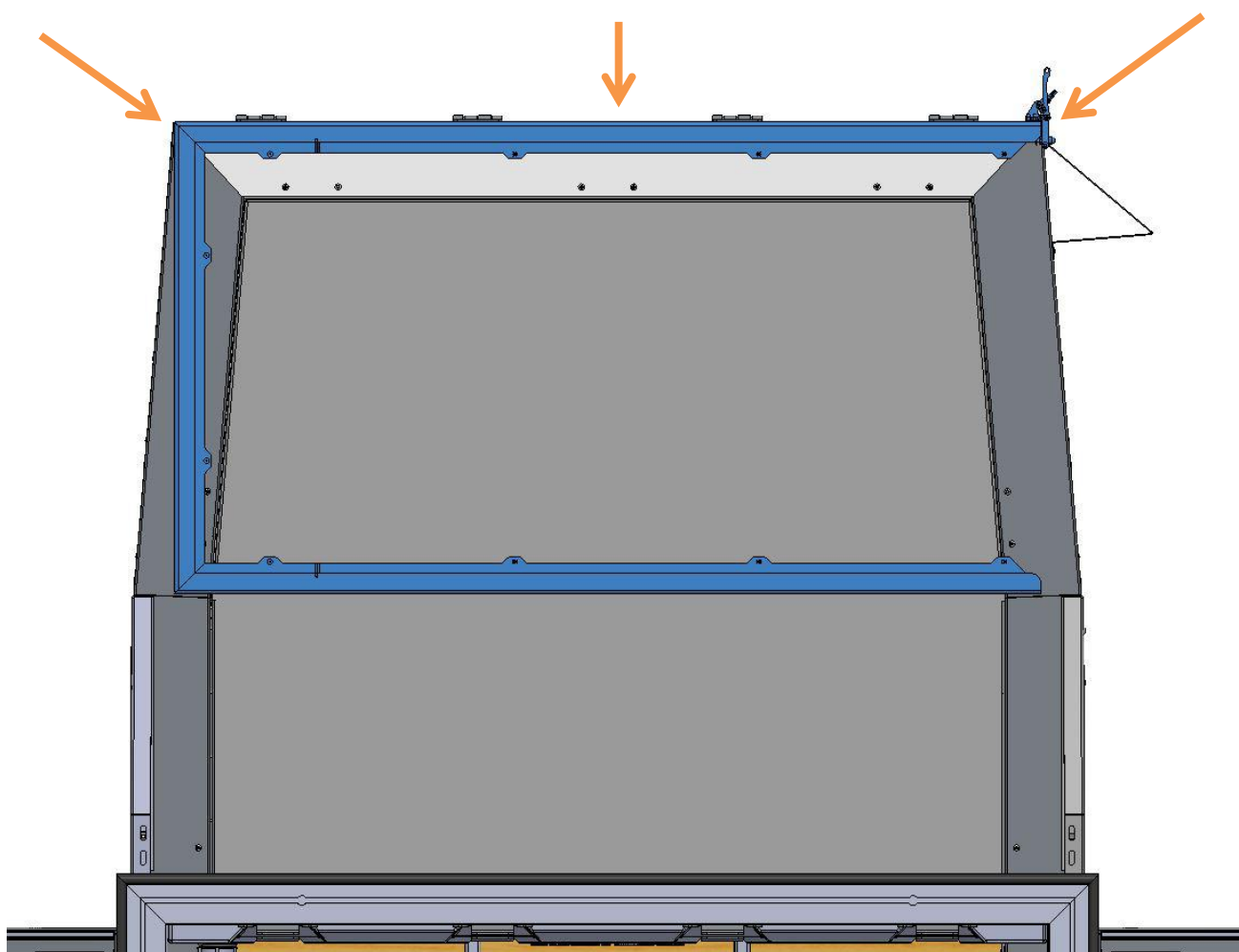
WARNING

Always wear appropriate PPE (Personal protection equipment) when fitting this product. Although the mounting kit is designed to be DIY, if you have any doubts or concerns, contact an accredited fitment centre to carry out the work. Alu-Cab will not be liable for any injury to persons, and/or damage to products and/or vehicles.

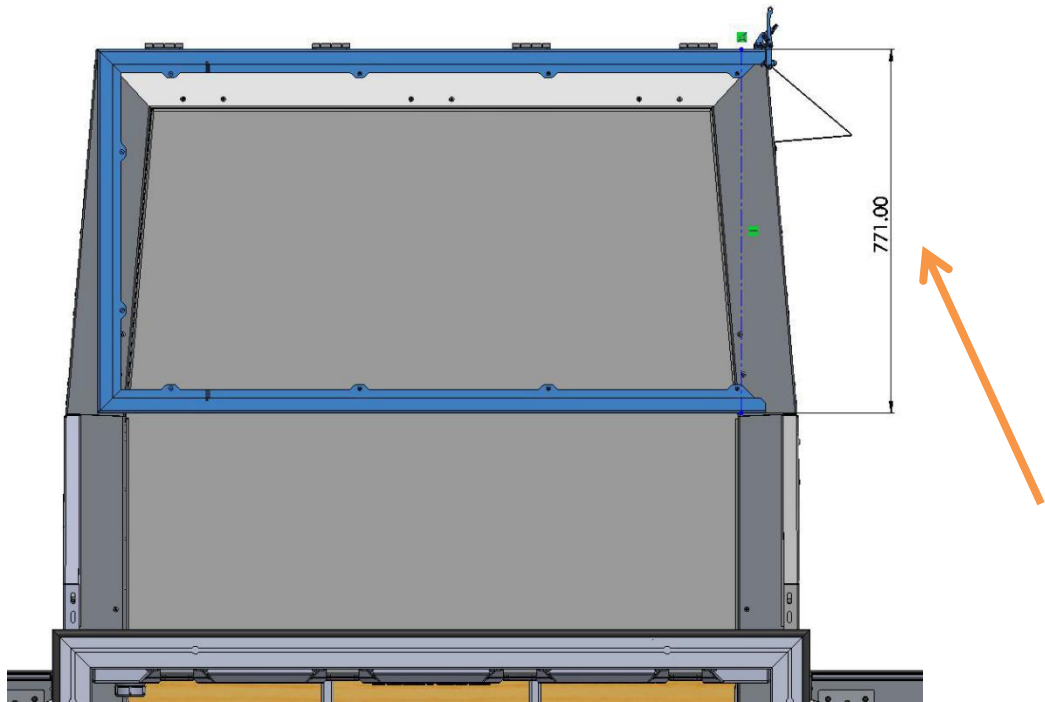
2. Mounting the Table Slide to the Khaya & Canopy Camper

2.1 Positioning

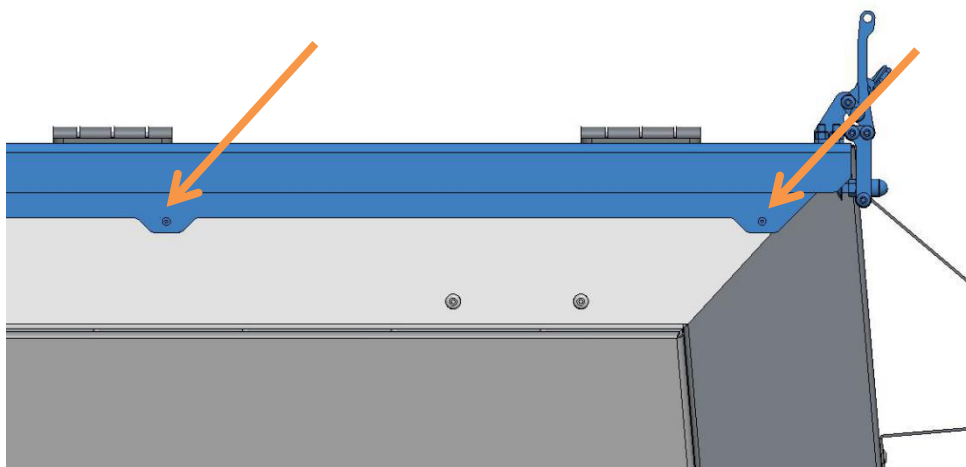
The first step to fit the Table Slide is to position it on the Camper and mark out the mounting holes. Note: having 2 people makes for a much easier fitment. Please follow the next steps to complete this:



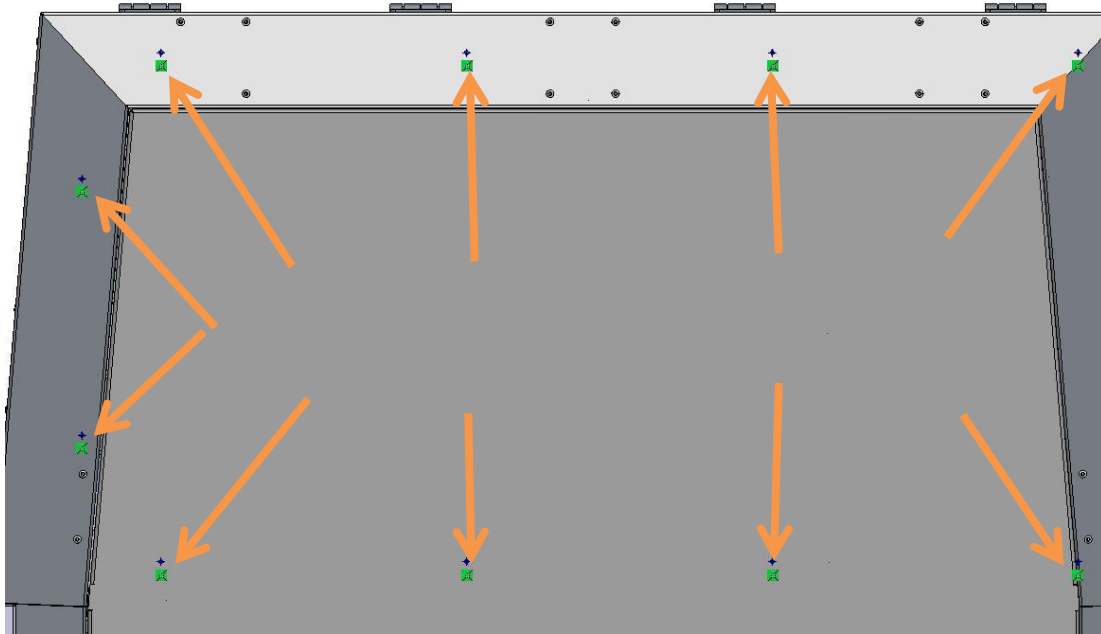
Hold the Table Slide against the Front Overhang located at the front of the Camper, keeping the Table Slide flush with the front edge of the Camper, and the corners of the Table Slide in line with Tent Base corners.



Using a Measuring Tape, while one person holds the Table Slide in place as described in the previous step, do a validation check measurement on the outside dimension of the Table Slide on the opening side, this measurement should be between 770mm - 775mm.



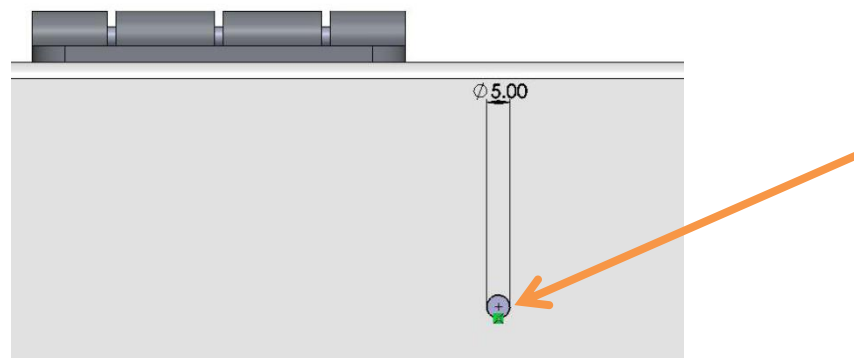
Mark out the Rivet holes using the laser cut holes on the mounting tabs located around the inner perimeter of the Table Slide as shown. Remember to keep the Table Slide secure in the specified position outlined in the previous steps.



Once the mounting holes have been marked, temporarily remove the Table Slide, then realign it with the mounting hole marks and check that they correspond to the Table Slide mounting holes.

2.2 Drilling

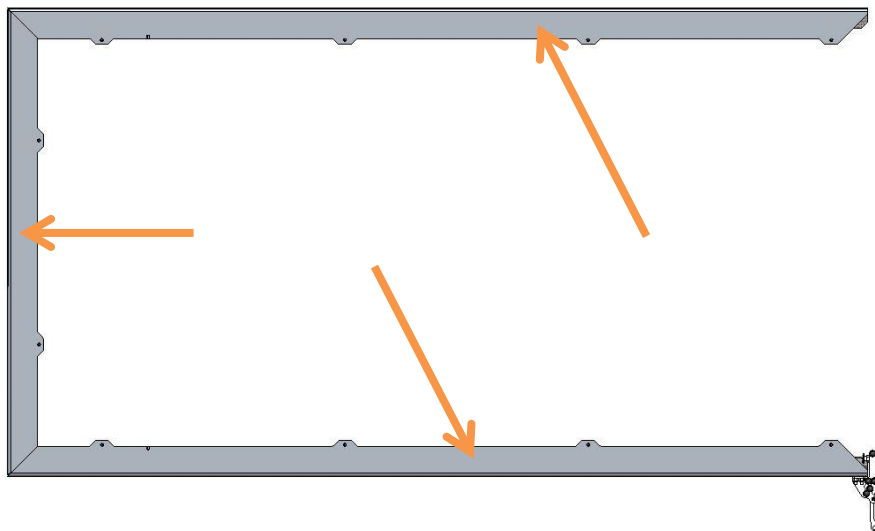
The next step in the fitment process is to drill the Rivet holes. Use the hole position markings from the previous step as your template.



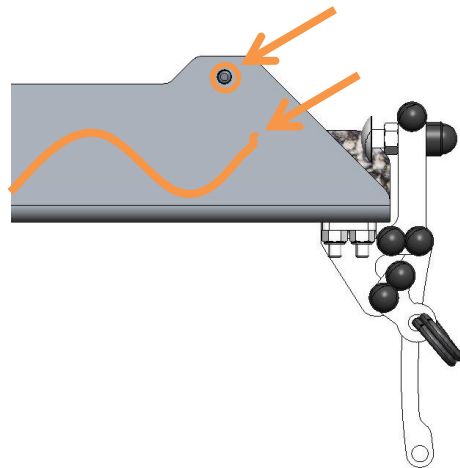
Drill 5mm Diameter holes in the 10 predetermined locations, make sure to not drill too far into the Tent Base by marking 10mm from the point of your drill bit with tape, and remove any burrs.

2.3 Sealant Application

Next, Sika or a similar sealant needs to be applied onto the mounting surfaces of the Table Slide. This sealant has a dual purpose of preventing any leaks as well as being an adhesive for the Table Slide, offering additional support to the mounting Rivets.

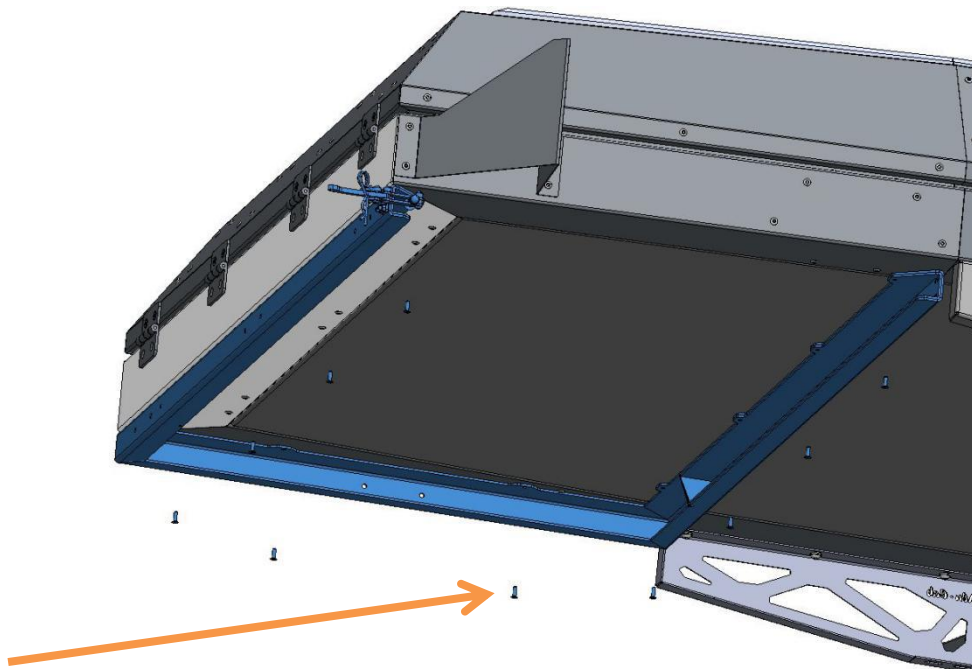
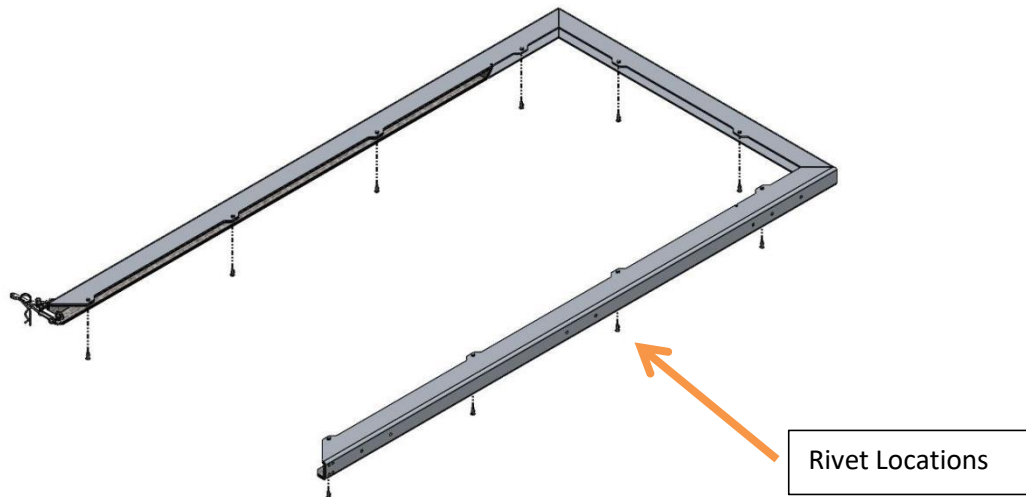


Lay down a generous bead of sealant along the middle of the Table Slide frame mounting surface from end to end, as well as adding sealant in and around each hole. See image below:

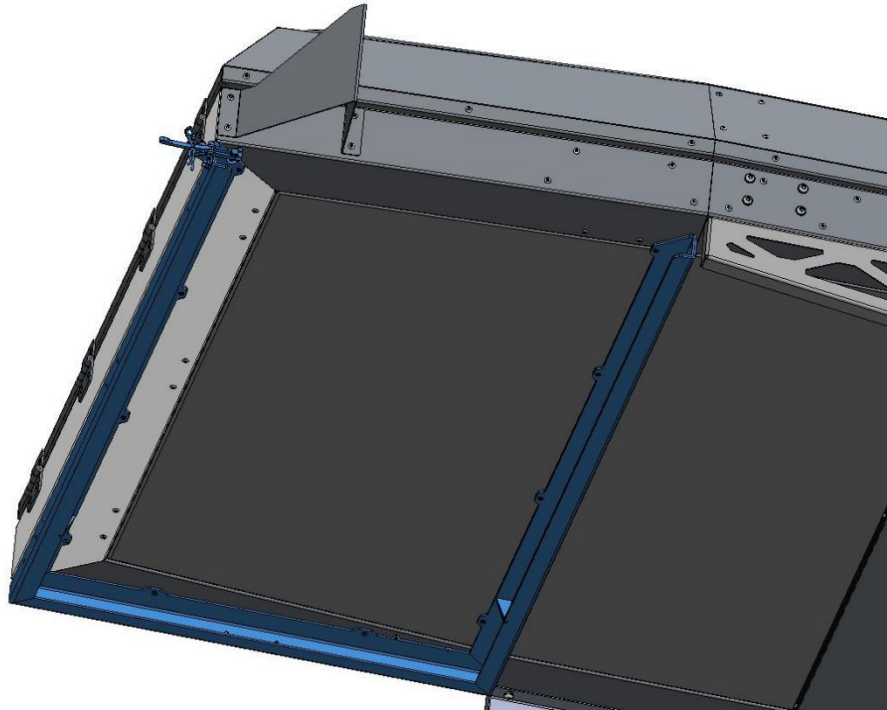


2.4 Fastening the Table Slide

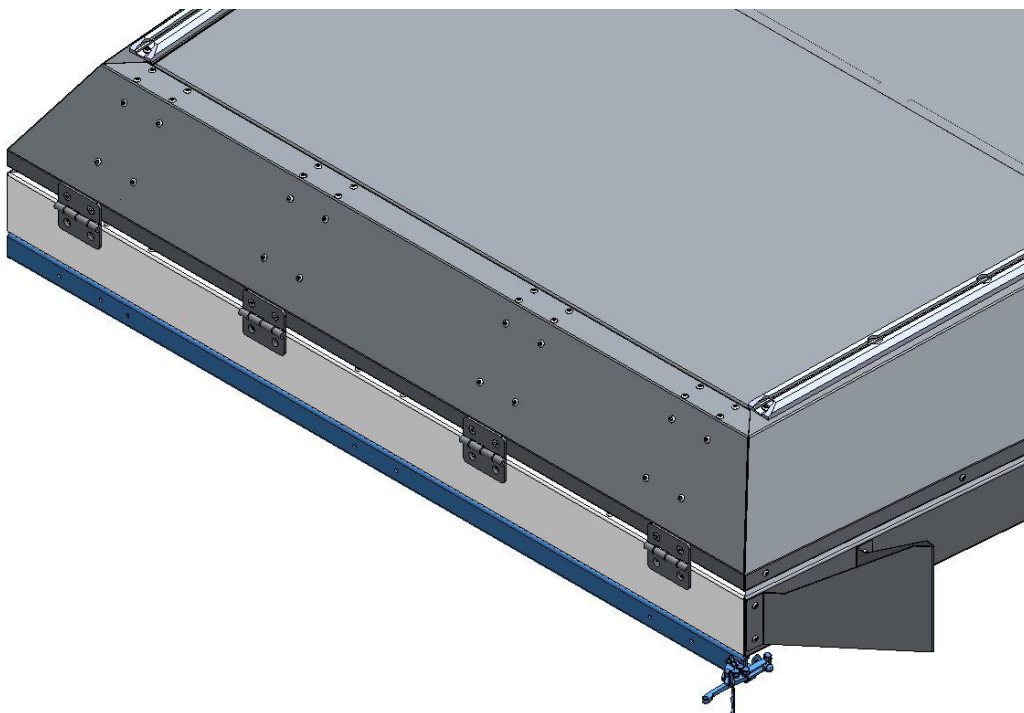
The last process in the Table Slide fitment is to rivet the Table Slide to the Camper. This is again made simpler if 2 or more people are involved. Align the Table Slide, as before, to correspond with the newly drilled Rivet holes in the Camper using a Rivet Gun, once located, proceed to Rivet the Table Slide to the Camper.



Take note to add a small amount of sealant to each Rivet before Riveting in place.



Use a cloth and 50/50 Isopropyl Alcohol and Water Solution to cleanup any excess sealant.



Fitted Camper Table Slide.