

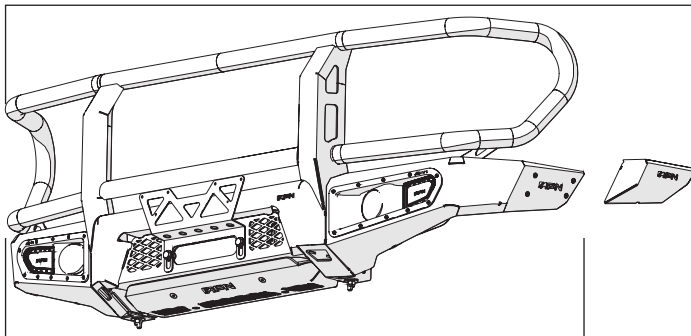


4 X 4 A C C E S S O R I E S

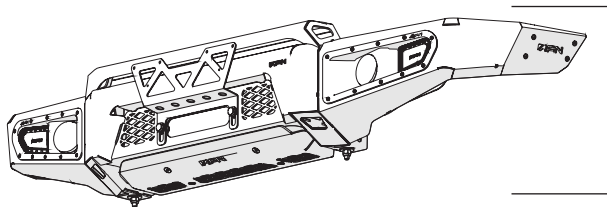
# Fitting Instructions

Toyota LC 70 Series  
2023+

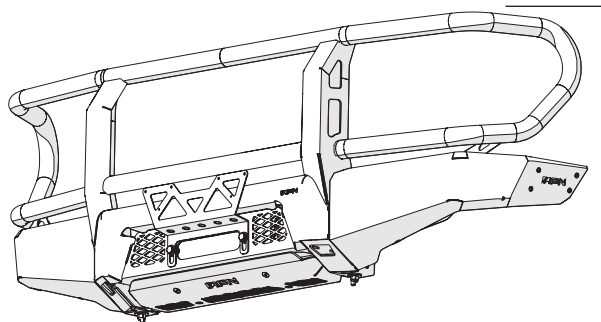
48002912



48002959

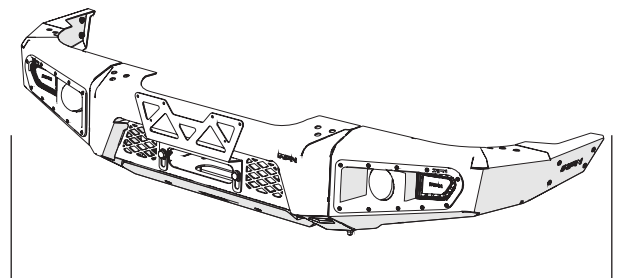
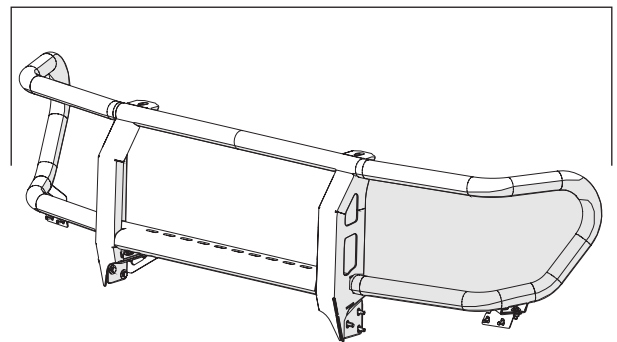


48002924



48002928

48002926



48002925

This manual contains the **Toyota LC 70 Series 2023+** fitting instructions for:

**Bull Bar W/ Fog Lights REF: 48002912**

**Bull Bar W/ Fog Lights REF: 48002959**

**Front Bumper W/ Fog Lights REF: 48002924**

**Front Bumper W/ Fog Lights REF: 48002925**

**Attachable Hoop for Ref:48002925 REF: 48002926**

**Bull Bar Without Fog Lights REF: 48002928**

## **AFN 4x4 Accessories**

Product: **Bull Bar w/ Fog Lights**  
Ref: **48002912**

Product: **Bull Bar w/ Fog Lights**  
Ref: **48002959**

Product: **Front Bumper w/ Fog Lights**  
Ref: **48002924**

Product: **Front Bumper w/ Fog Lights**  
Ref: **48002925**

Product: **Attachable Hoop for Ref:48002926**  
Ref: **48002926**

Product: **Bull Bar without Fog Lights**  
Ref: **48002928**

**Checklist** **3**  
Products 48002912, 48002959, 48002924,  
48002925, 48002926, 48002928

**Fitting Instructions** **4**  
Step 1 **5**  
Step 2 **6**  
Step 3 **7**  
Step 4 **8**  
Step 5 **9**  
Step 6 **10**  
Final Result **11**

# CHECKLIST

- In this section you have a checklist with all parts included for the installation of your AFN product
- This product should be installed as demonstrated in the product fitting instructions
- If verified that any component is damaged, please contact your nearest AFN distributor
- The specified parts will only fit in the models specified by AFN
- Do not modify any component of the product

This checklist is for product **48002912, 48002959, 48002924, 48002925, 48002926, 48002928**

## REF.: 48002959, 48002912

NUMBER	DESCRIPTION	REFERENCE	QTY
1	Bull Bar	47002890	1x
2	Fog Lights (Left Side)	48002545	1x
3	Fog Lights (Right Side)	48002544	1x
4	Day light (Left Side)	47002089	1x
5	Day light (Right Side)	47002088	1x
6	Brackets for Weldex Fog Lights	48002853	1x
7	Led Protection (Right Side)	46011884	1x
8	Led Protection (Left Side)	46011883	1x
9	AFN corner plate	46011894	2x
10	Extra Flare (Left Side)	47002894	1x
11	Extra Flare (Right Side)	47002893	1x
12	Front Skid Plate	46011882	1x
13	Plate Bracket	46005518	1x
14	Led Fog Lighths - H8	45001987	2x
15	Nylock Nut M6	45001522	8x
16	Bolt M6x16	45001258	8x
17	Washer M6	45001252	8x
18	Cage Nut M6	45001012	8x
19	Bolt M10x25 <b>STAINLESS STEEL</b>	45000956	4x
20	Bolt M12x140	45000277	2x
21	Washer M12	45001253	4x
22	Nylock Nut M12	45001558	2x
23	Bolt M10x30	45000070	8x
24	Washer M12 (big)	45000036	4x
25	Nylock Nut M12	45000066	2x
26	Bolt M12x25	45001719	2x
27	Washer M10	48000039	8x
28	Bolt M4.2x16 <b>STAINLESS STEEL</b>	48001114	6x
29	Plastic Nuts M4	48001113	6x

## REF.: 48002924

NUMBER	DESCRIPTION	REFERENCE	QTY
30	Front Bumper	47002934	1x

## REF.: 48002925

NUMBER	DESCRIPTION	REFERENCE	QTY
31	Front Bumper	47002925	1x

## REF.: 48002926

NUMBER	DESCRIPTION	REFERENCE	QTY
32	Attachable Hoop	47002934	1x
33	Middle Bracket (Left Side)	47002930	1x
34	Middle Bracket (Right Side)	47002931	1x
35	Side Bracket (Left Side)	47002932	1x
36	Side Bracket (Right Side)	47002933	1x
37	Bolt M8x25	45001537	20x
38	Washer M8	45001267	20x

## REF.: 48002928

NUMBER	DESCRIPTION	REFERENCE	QTY
39	Bull Bar		1x

This bumper does not include Fog Lights.

# FITTING INSTRUCTIONS

**WARNING:**

Before you begin installation, read all instructions thoroughly.  
 Proper tools will improve the quality of installation and reduce the time required.

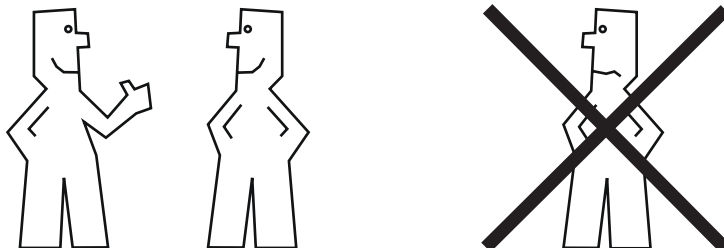
- This product should be installed as demonstrated in the *Product «Fitting Instructions»*;
- The specified parts, will only fit the models specified by **AFN**;
- Do not modify any component of the product;
- It is recommended that this product is installed by specialized and trained personnel;
- AFN doesn't take responsibility for changes made in the vehicle by its manufacturer;
- Work safely and use specialized tools at all times;
- **Always use protective gear.**



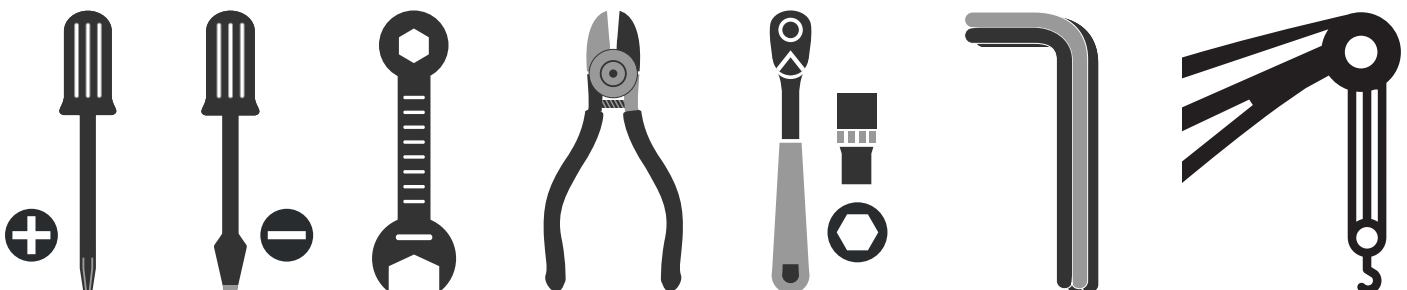
Size	Torque Nm	Torque lbft
M6	9Nm	7lbft
M8	22Nm	16lbft
M10	44Nm	32lbft
M12	77Nm	57lbft

## Mouting Time

- 3 Hours
- 2 Persons (recommended)



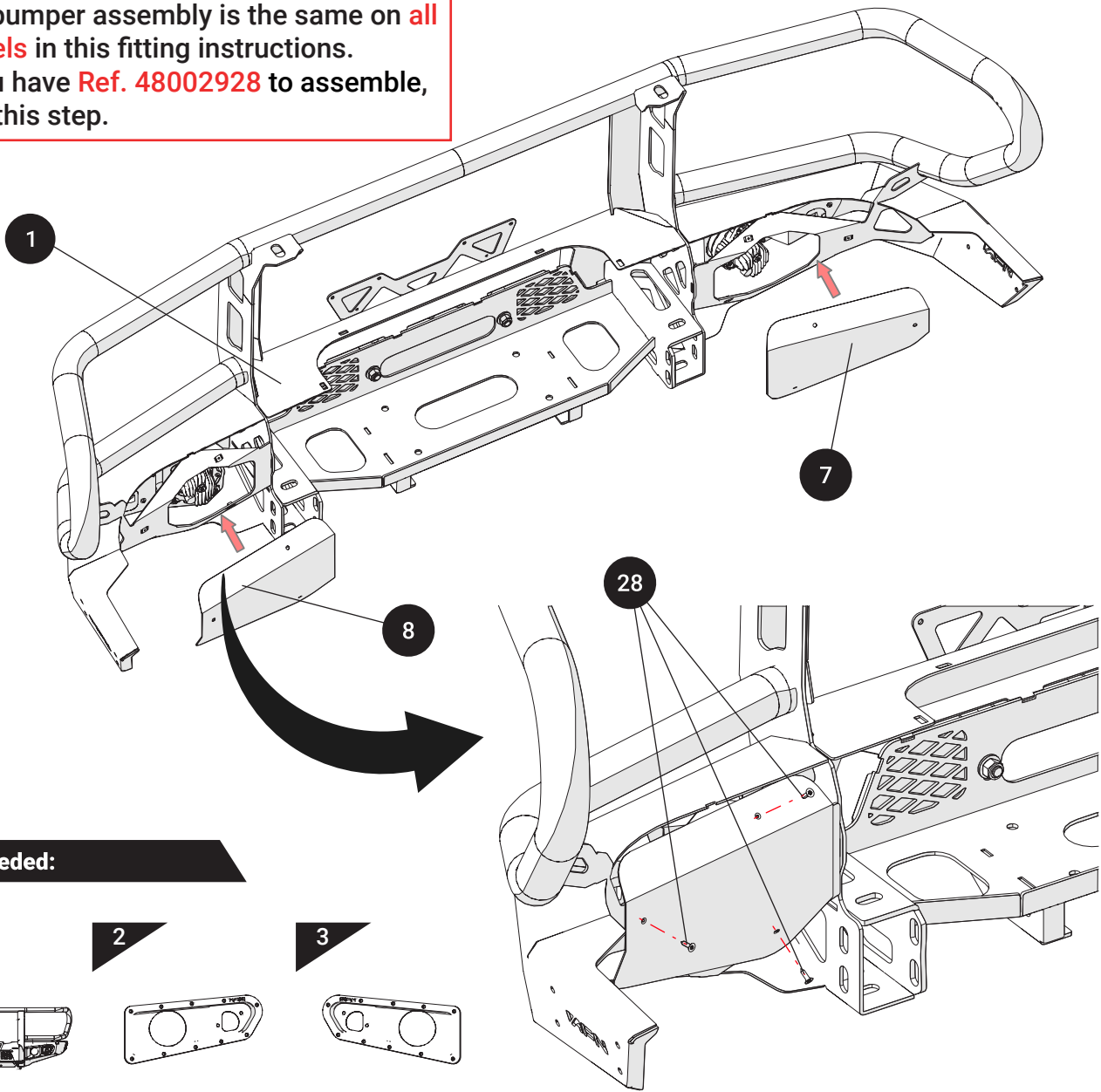
## Tools Required



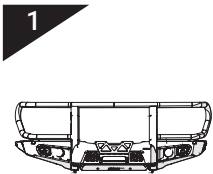
- Screwdriver star head
- Screwdriver flat head
- Wrench
- Wire cutter
- Ratchet wrench
- Allen wrench
- Crane

Step 1

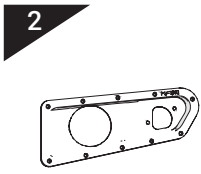
The bumper assembly is the same on **all models** in this fitting instructions. If you have **Ref. 48002928** to assemble, skip this step.



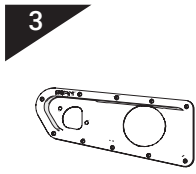
Parts Needed:



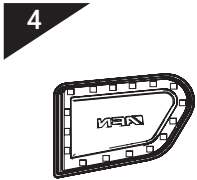
x1 47002890, 47002934, 47002925  
Bull Bar



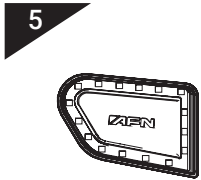
x1 48002545  
Fog Lights Kit (Left Side) **mounted**



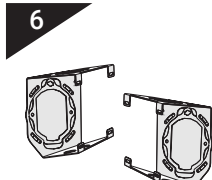
x1 48002544  
Fog Lights Kit (Right Side) **mounted**



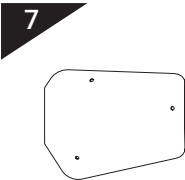
x1 47002089  
Day Light (Left Side) **mounted**



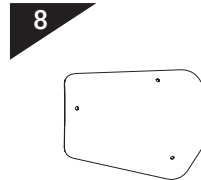
x1 47002088  
Day Light (Right Side) **mounted**



x1 48002853  
Brackets For Weldex Fog Lights **mounted**



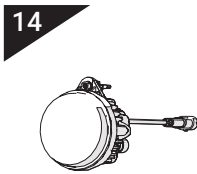
x1 46011884  
Led Protection (Right Side)



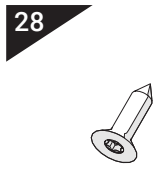
x1 46011885  
Led Protection (Left Side)



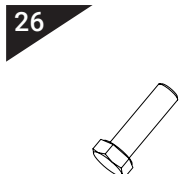
x1 46005518  
Plate Brackets **mounted**



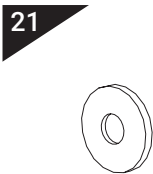
x2 45001987  
Led Fog Lights **mounted**



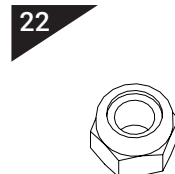
x6 48001114  
Bolt M4.2x16 **STAINLESS STEEL**



x2 45000065  
Bolt M12x25 **mounted**



x4 45001253  
Washer M12 **mounted**

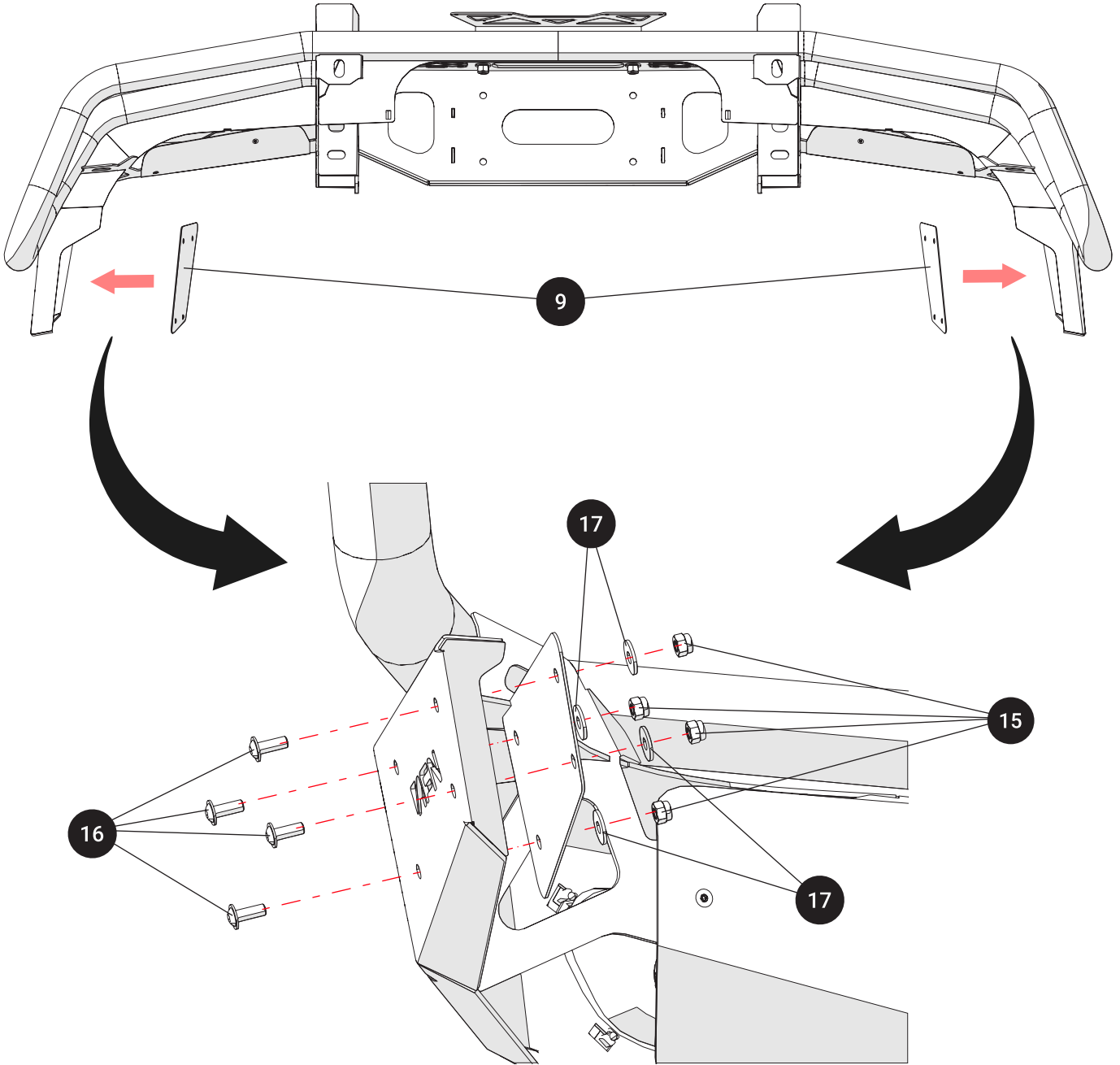


x2 45001558  
Nylock Nut M12 **mounted**

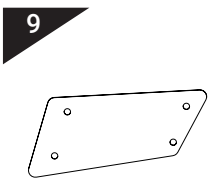
**Step 2**

If you assemble the **extra flares**, skip this step and go to the next one.

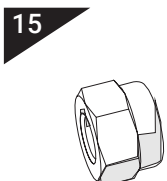
Size	Torque Nm	Torque lbft
M6	9Nm	7lbft



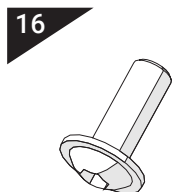
**Parts Needed:**



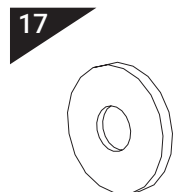
x2 46011894  
AFN corner plate



x8 45001522  
Nylock Nut M6



x8 45001258  
Bolt M6x16

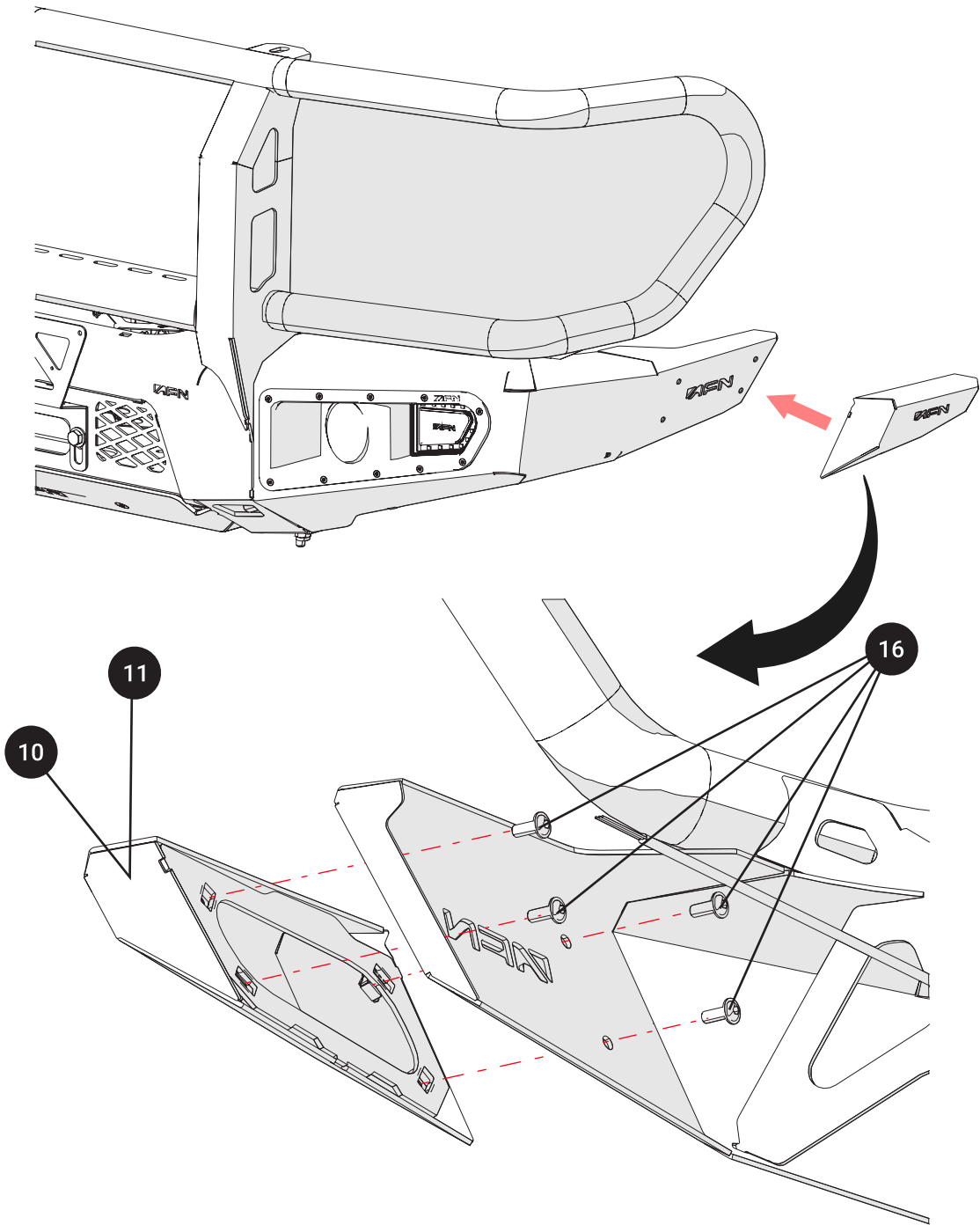


x8 45001256 ou 1252 ?  
Washer M6

Step 3

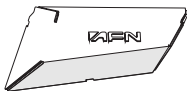
If you don't assemble the extra flares, go back to **step 2**.

Size	Torque Nm	Torque lbft
M6	9Nm	7lbft



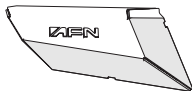
Parts Needed:

10



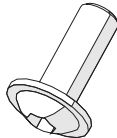
x2 46011894  
Extra Flare (Left Side)

11



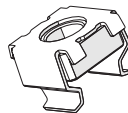
x1 45001522  
Extra Flare (Right Side)

16



x1 45001522  
Bolt M6

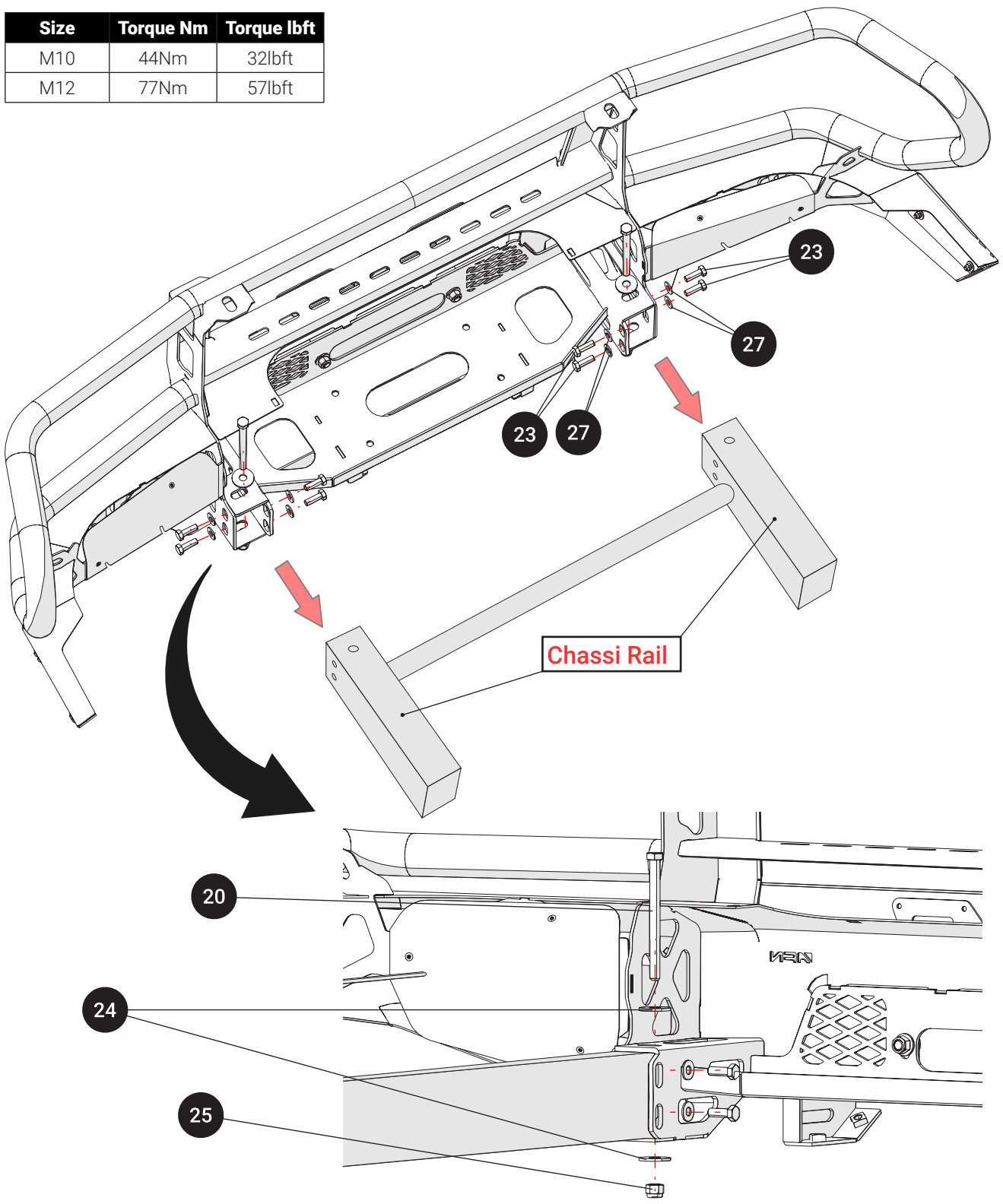
18



x1 45001012  
Cage Nut M6  
**mounted**

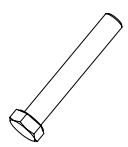
**Step 4**

Size	Torque Nm	Torque lbft
M10	44Nm	32lbft
M12	77Nm	57lbft



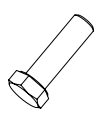
**Parts Needed:**

**20**



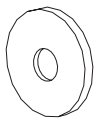
x1 45000277  
Bolt M12x140

**23**



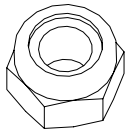
x1 45000070  
Bolt M10x30

**24**



x4 45000036  
Washer M12 (big)

**25**



x4 45000066  
Nylock Nut M12

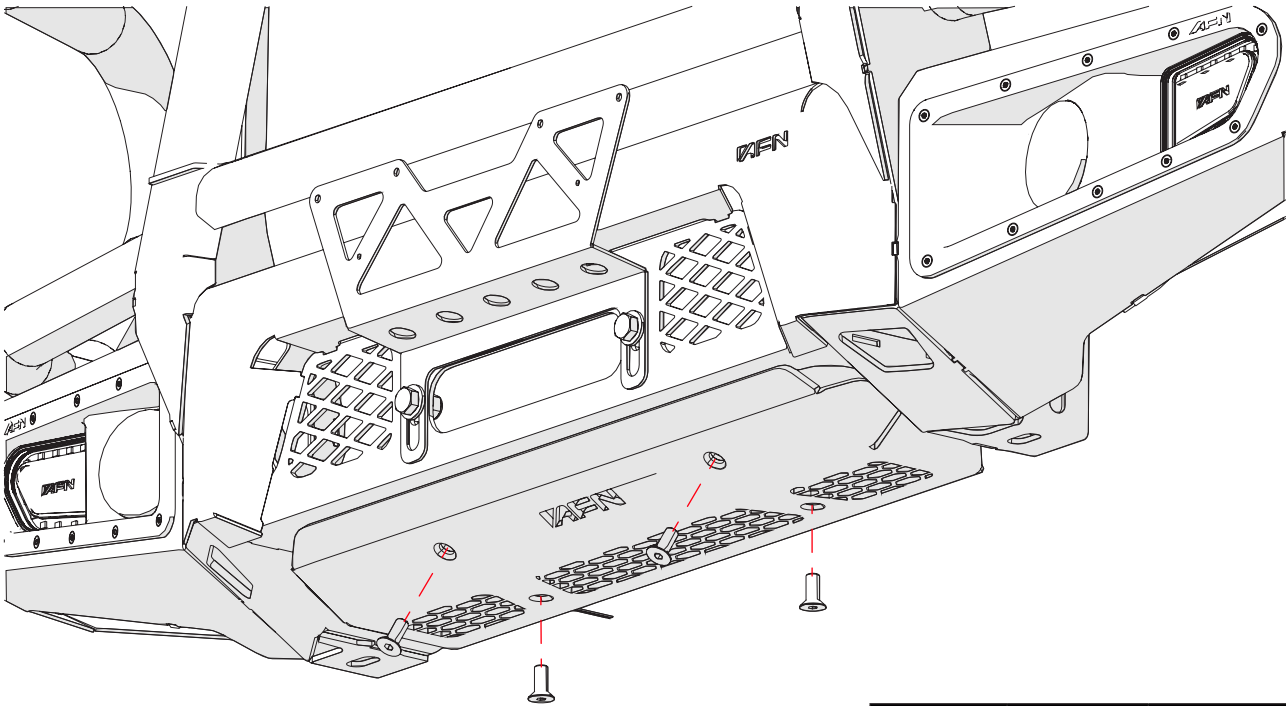
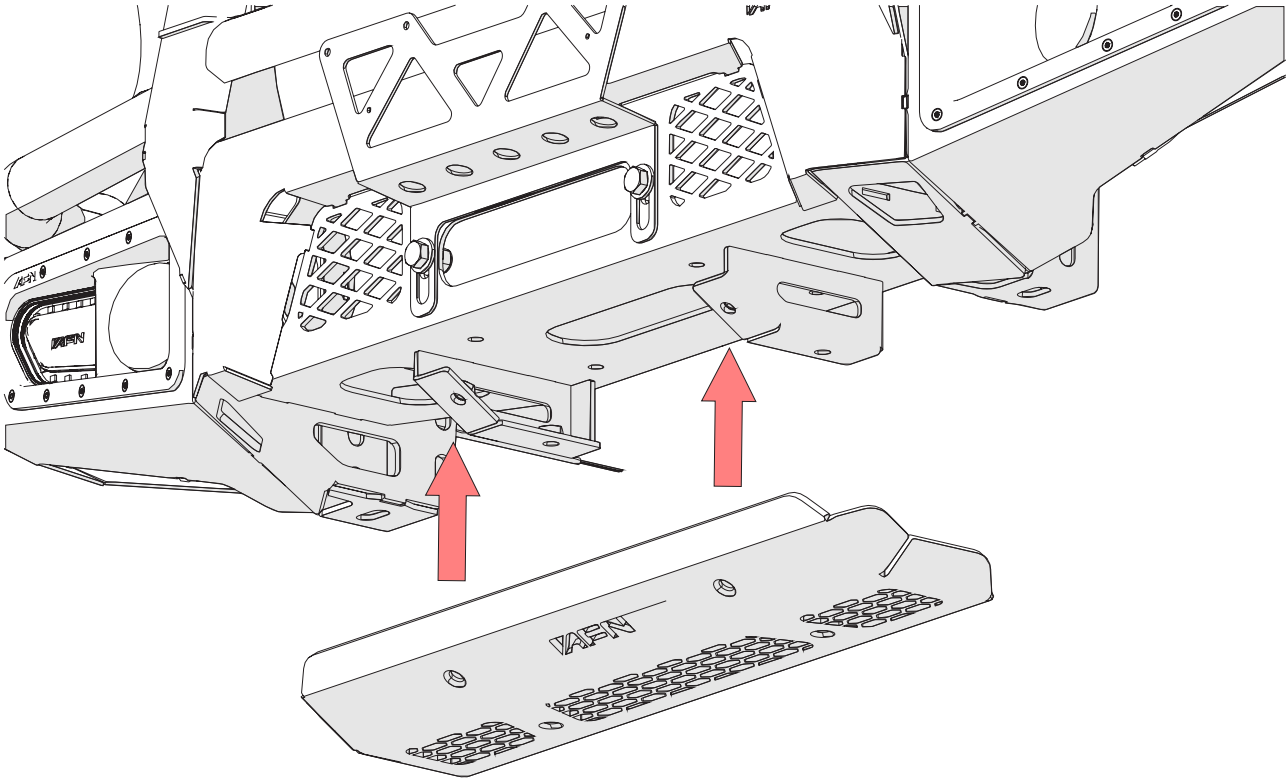
**27**



x4 45000039  
Washer M10

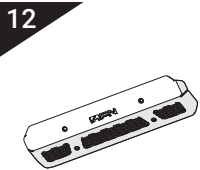


Step 5

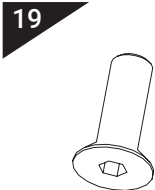


Size	Torque Nm	Torque lbft
M10	44Nm	32lbft

Parts Needed:



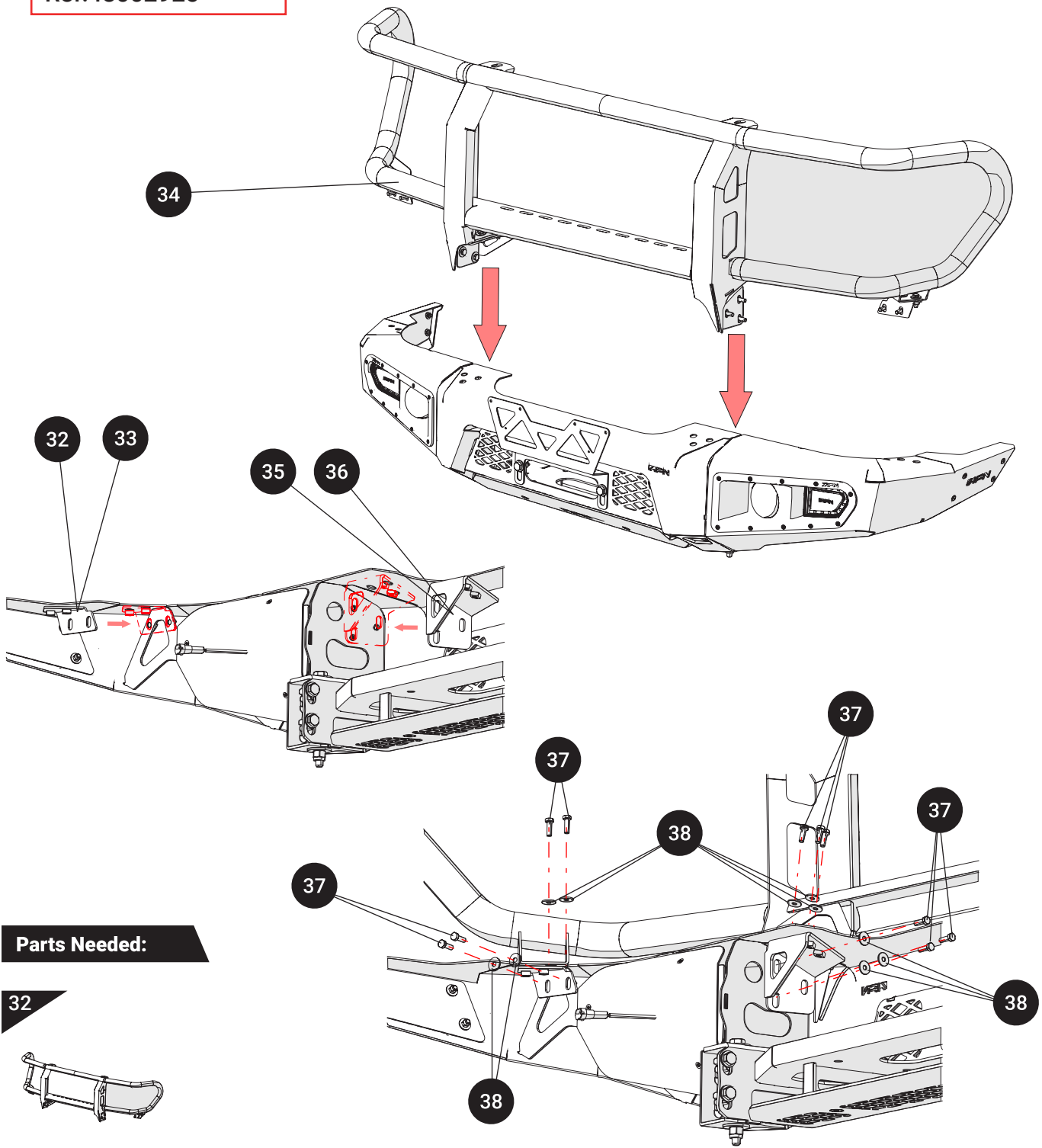
x1 45000277  
Front Skid Plate



x1 45000956  
Bolt M10x25

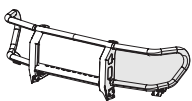
**Step 6**

**Attachable Hoop for Ref:48002925**



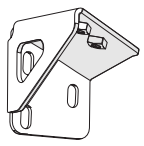
**Parts Needed:**

**32**



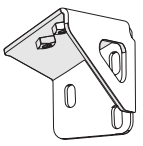
x1 45002934  
Attachable Hoop

**33**



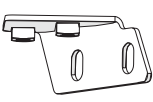
x1 47002930  
Middle Brackets (Left Side)

**34**



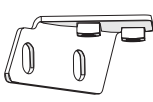
x4 47002931  
Middle Brackets (Right Side)

**35**



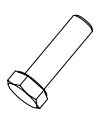
x4 47002932  
Side Brackets (Left Side)

**36**



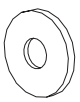
x4 47002933  
Side Brackets (Right Side)

**37**



x4 45001537  
Bolt M8x25

**38**



x4 45001267  
Washer M8

Final Result