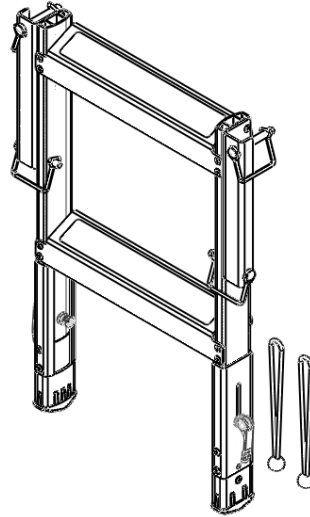


ARB - ALTITUDE ROOF TOP TENT

804520 – LADDER EXTENSION



SAFETY NOTE:

- ◆ Please read these instructions carefully prior to installation and comply with the instructions at all times for reasons of safe use of this product.
- ◆ If in any doubt, please contact your nearest ARB state office or the stockist from whom it was purchased.
- ◆ Do not use this product for any other use. This ladder extension has been tested as fitted and I load rated to work with ARB's Altitude tent ladder.
- ◆ This product's structure or its fixing method must not be modified in any way.
- ◆ Fitment can be undertaken with one person.
- ◆ During installation, it is the duty of the installer to ensure this product is fitted properly and adjusted adequately to carry the load of the heaviest person using it, once this accessory is attached to the ladder of the ARB's Altitude tent (802500).

Please provide a copy of this instruction to the customer

ARB 4x4 ACCESSORIES

Corporate Head Office

42-44 Garden St
Kilsyth, Victoria
AUSTRALIA 3137

Tel: +61 (3) 9761 6622
Fax: +61 (3) 9761 6807

Australian enquiries
North & South American enquiries
Other international enquiries

sales@arb.com.au
sales@arbusa.com
exports@arb.com.au

www.arb.com.au

!! CUSTOMER SAFETY NOTICE !!


- LADDER AND LADDER EXTENSION IS RATED TO **102 KG. TYPE: II MEDIUM DUTY**
- FOLLOW ALL INSTRUCTIONS ON THIS LADDER. FALLING FROM A LADDER CAN CAUSE SERIOUS INJURIES OR DEATH.
- THE LADDER IS DESIGNED TO BE USED BY ONE PERSON AT TIME TO THE MAXIMUM LOAD RATING AS STATED.
- INSPECT BEFORE USE AND DO NOT USE LADDER IF DAMAGED OR MISSING PARTS.
- REPLACE WORN PARTS SUCH AS FEET BY CONTACTING THE MANUFACTURER.
- ENSURE STEPS ARE LEVEL WHEN DEPLOYED.
- THIS PRODUCT MAY BE USED FOR INCREASING THE LADDER HEIGHT AND FOR LEVELLING THE LADDER STILES ON UNEVEN GROUND.
- ENSURE THE LEVERS ON LEG LEVELLING FEATURES ARE LOCKED CLOSED AND THAT EXTENSIONS DO NOT MOVE OR SLIDE UP BY TESTING THE FULL WEIGHT ON THE BOTTOM RUNG BY THE HEAVIEST PERSON USING IT BEFORE ASCENDING THE LADDER.

TOOL LIST FOR FITMENT:

- BATTERY DRILL
- 8mm DRILL BIT
- TWO QUICK RELEASE G CLAMPS

NOTE: 'WARNING' notes in the fitting procedure relate to OHS situations, where to avoid a potentially hazardous situation it is suggested that protective safety gear be worn or a safe work procedure be employed. If these notes and warnings are not heeded, injury may result.

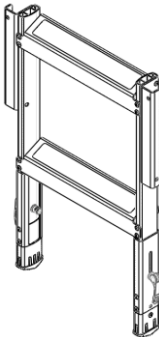
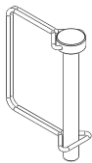

HAVE AVAILABLE THESE SAFETY ITEMS WHEN FITTING PRODUCT:

Protective Eyewear	
--------------------	---

FITTING THE LADDER EXTENSION TO THE EXTENSION LEGS IN 2 STAGES:

1. Locating and securing ladder extension to ladder extension legs.
2. Drilling the ladder extension legs.
3. Extension ladder storage.
4. Using levelling feet.

THE FITTING KIT CONTAINS:

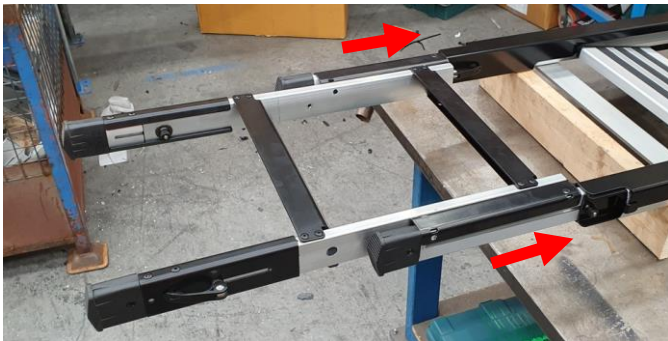
	Part No	Image	Qty	Description
561AS005 LADDER EXTENSION KIT	561AS003		1	LADDER EXTENSION ASSEMBLY
	6152216		4	WIRE LOCK PINS
	559PA001		2	BUNGEE BALL CORD TIE

STEP 1: FITTING EXTENSION LADDER TO LADDER EXTENSION LEG



- 1.0) Place the ladder from the Altitude tent (RTT) horizontally on flat surface with step tread surface facing up. Place a cross-wise chock about 10cm in height, under bottom end to elevate legs of the ladder into free space.

Extend both RTT ladder extension legs to their full extents. Tighten the clamps.

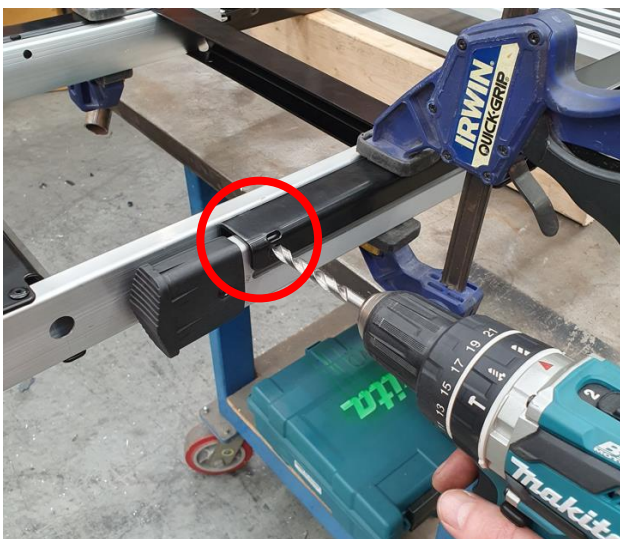


- 1.1) Straddle the ladder extension accessory (561AS003) with the U - shaped side brackets over each of the RTT ladder extension legs. Push the ladder extensions (561AS003) up the tent ladder until the U brackets fit flush with bottom extrusion of the RTT ladder.



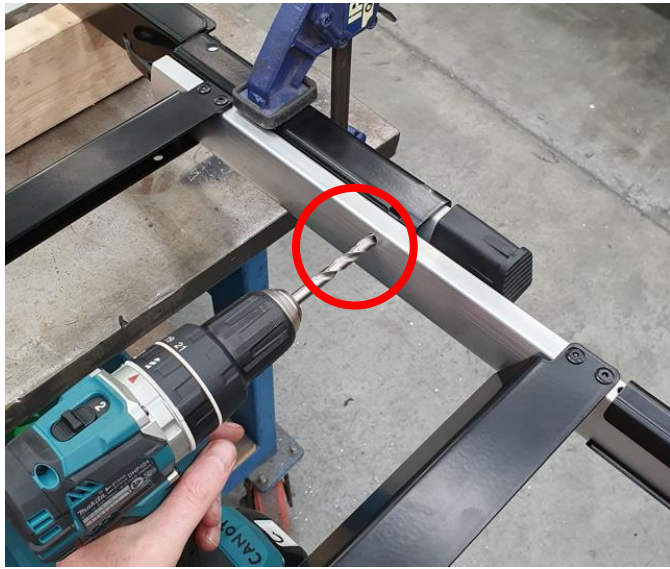
- 1.2) With extension ladder brackets in place use G-clamps to hold extension ladder in the centre of the bracket tightly in place against the extension legs of the RTT.

Clamp both sides.

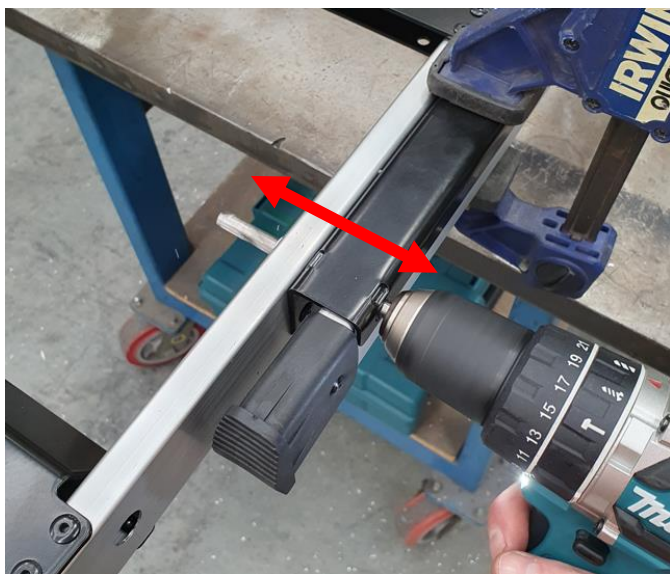


- 1.3) Locate the horizontal hole in U-bracket on the outside RH side of the ladder and drill this out to 8mm.

Drill through this hole keeping perpendicular to surface. **Drill through one surface only** of the RTT ladder extension leg.

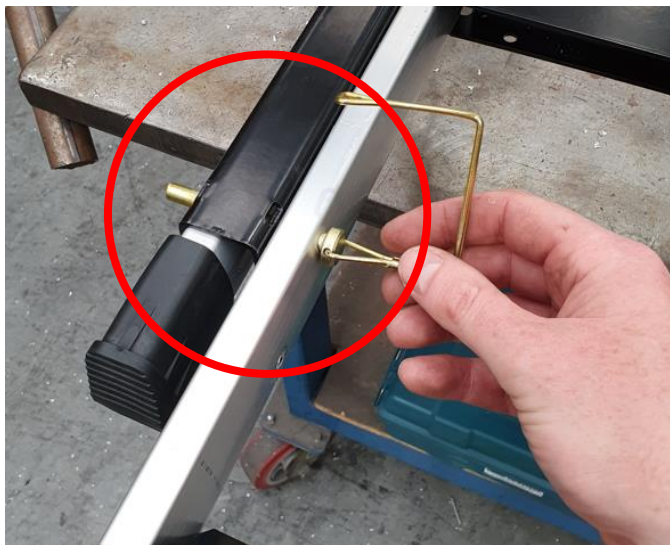


- 1.4) Now locate 8mm drill bit to corresponding inside hole pre-drilled on the extension ladder (561AS003). **Drill through one surface only of the RTT extension leg extrusion.** The hole inside needs to align to the outside hole drilled in the previous step of these instructions.



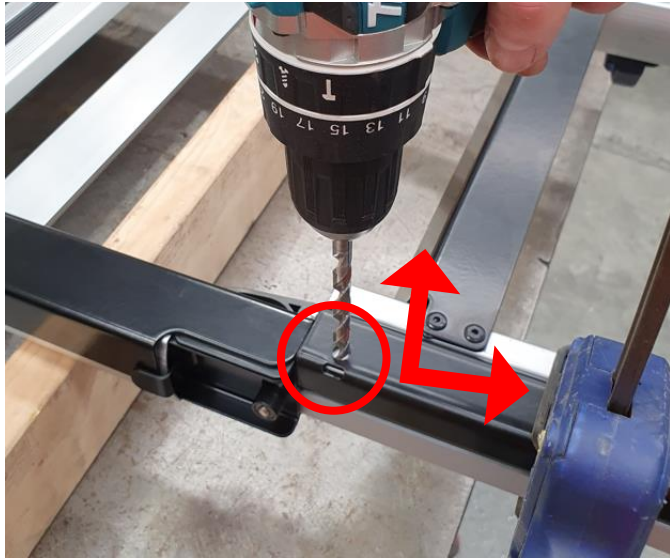
- 1.5) Once both holes are drilled through RTT extension leg **pass the drill bit back and forward through 8mm hole** to make sure the 8mm wire lock pin (6152216) can pass through.

Do both sides.



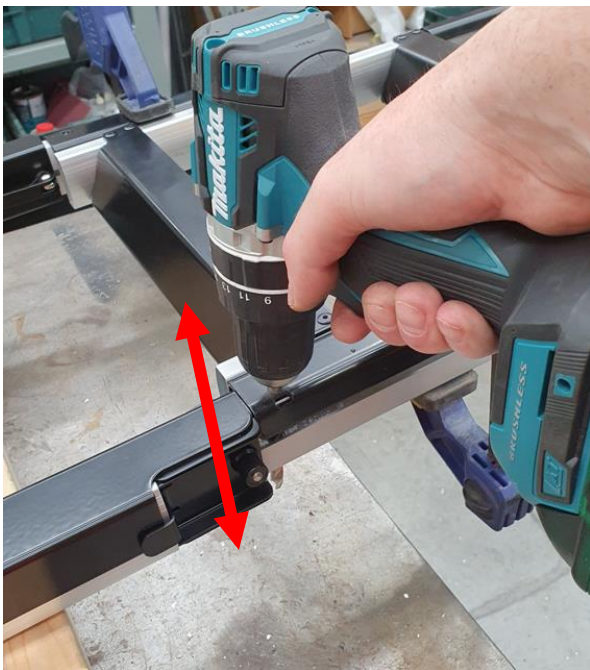
- 1.6) Locate 8mm wire lock pin (6152216) through hole.

Do both sides.



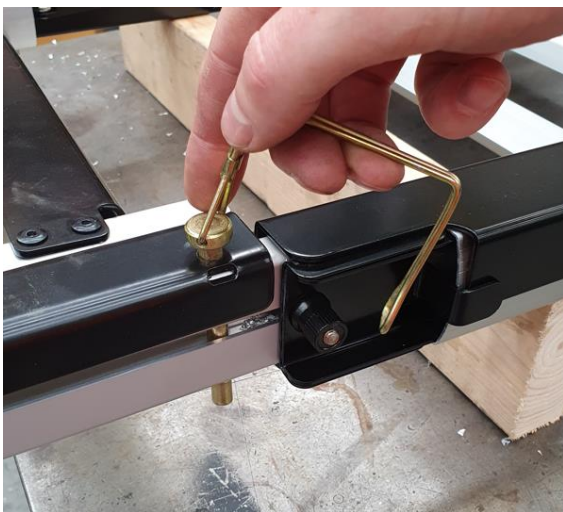
- 1.7) Locate top face hole in U bracket on the outside RH side of the ladder. Drill an 8mm hole through this hole keeping perpendicular to surface.

Drill through all four surfaces of the RTT ladder extension leg, through and out to the other side.



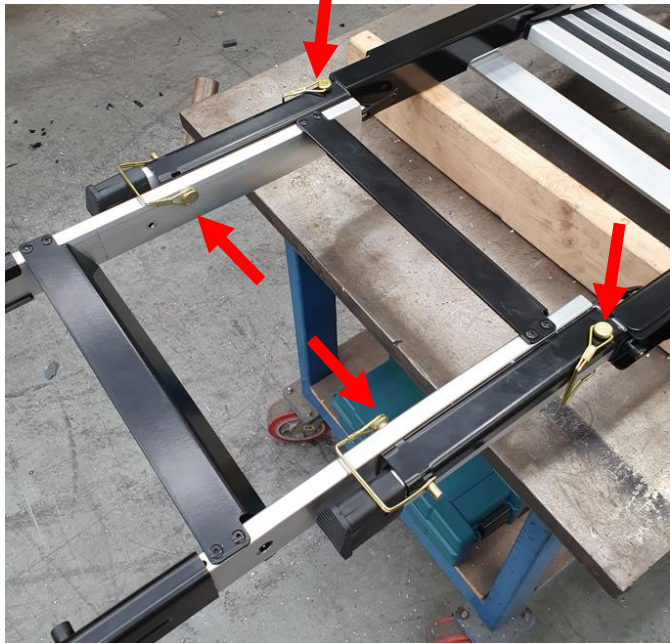
- 1.8) Once both holes are drilled right through RTT ladder extension leg, pass the drill bit back and forward through 8mm hole to make sure the 8mm wire lock pin (6152216) can pass through and be fitted.

Do both sides.



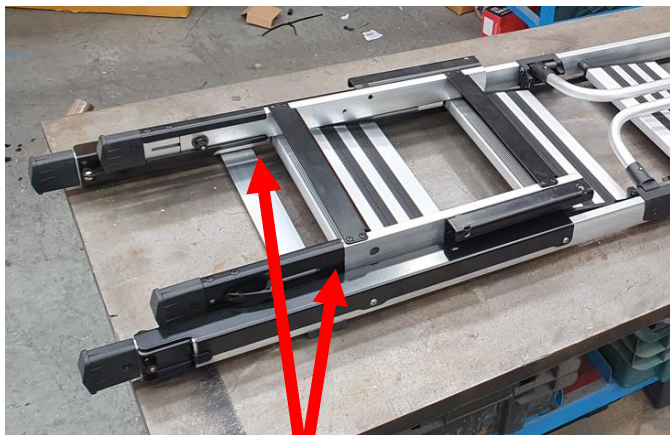
- 1.9) Install the 8mm wire lock pin (6152216) through U bracket and drilled hole.

Do both sides



1.10) **With four wire lock pins in place and the wire loops locked over the ends of the pins**, the ladder extension accessory is now fully fitted to the ladder for the tent

STEP 2: LADDER EXTENSION STORAGE IN ALTITUDE TENT

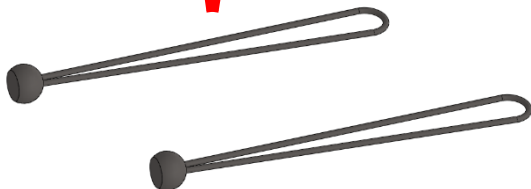


2.0) The ladder extension can be removed from ladder and secured to the main ladder stiles when in transit.

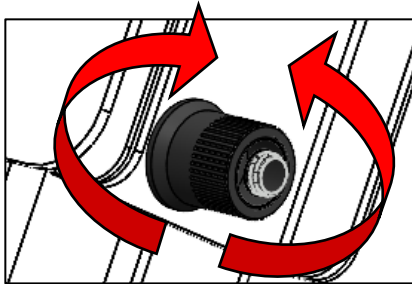
Place the extension ladder between the lower leg stiles of the ladder.

Using the bungee ball cords (559PA001) wrap cords around ladder extension legs and ladder legs.

The ladder extension can then be stored in the RTT ladder storage compartment in the roof of the tent.



STEP 3: USING LADDER EXTENSION LEVELLING FEET



3.0) To use the extension ladder levelling legs, loosen cam handle on side of ladder. Extended the desired amount, lock the extension legs with the compression cam handle. Adjust the locking nut to increase or to decrease the locking force if required. Ensure they are securely locked.

Note:-

Check the ladder extended feet are firmly planted on the ground and the ladder is stable.

Ensure ladder leg adjustment clamps are adjusted and tested to be suitable to the heaviest occupant's weight before ascending the ladder and the ladder is set stably at the top and to the ground.

DO NOT exceed the maximum weight capacity specified on the ladder.

The ladder at the top, must be hooked to the ladder rail on the Altitude tent when in use. DO NOT use the ladder without it being hooked on to the tent.