



# FITTING INSTRUCTIONS

## 804580 BASE RACK ADAPTER KIT (OFFSET BRACKETS)

### WARNING

#### NOTE THE FOLLOWING:

- ◆ Please read all instructions carefully prior to installation, and comply with the instructions.
- ◆ If in any doubt, please contact your nearest ARB state office or the stockist from whom it was purchased.
- ◆ This product or its fixing must not be modified in any way.
- ◆ The installation of this product may require the use of specialized tools and/or techniques.
- ◆ It is recommended that this product is only installed by trained personnel.
- ◆ During installation, it is the duty of the installer to check correct operation/clearances of all components (including but not exclusive of vehicle aerials, Tailgate spoilers, protrusions etc.)
- ◆ Work safely at all times
- ◆ Unless otherwise instructed, tighten all fasteners to specified torque
- ◆ Check bolt torque after 500km & at regular service intervals
- ◆ These instructions are correct as at the time of publication

---

#### **ARB 4x4 ACCESSORIES**

Corporate Head Office

42-44 Garden St  
Kilsyth, Victoria  
AUSTRALIA 3137

Tel: +61 (3) 9761 6622  
Fax: +61 (3) 9761 6807

Australian enquiries  
North & South American enquiries  
Other international enquiries

sales@arb.com.au  
sales@arb.com.au  
exports@arb.com.au

---

[www.arb.com.au](http://www.arb.com.au)

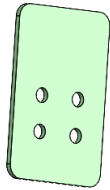
**!! IMPORTANT !! other than specifically specified in this instruction**

**REQUIRED BOLT TORQUES: M8=22Nm**

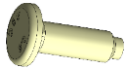
Bolt torques must be adhered to avoid warranty issues and should be checked at vehicle service intervals.

**BEFORE STARTING, READ ALL STEPS OF THE INSTRUCTIONS CAREFULLY AND CHECK ALL PARTS**

**BOX FITTING KIT 80XXXX – CONTENTS:**

Part No	Picture	Qty	Description
3195932		8	ADAPTER PLATE
6178344		1	BAG KIT - PLATE ADAPTER

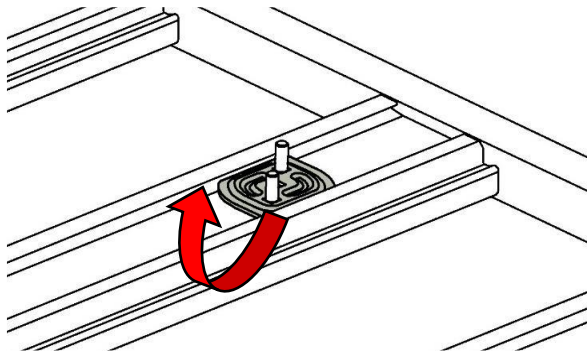
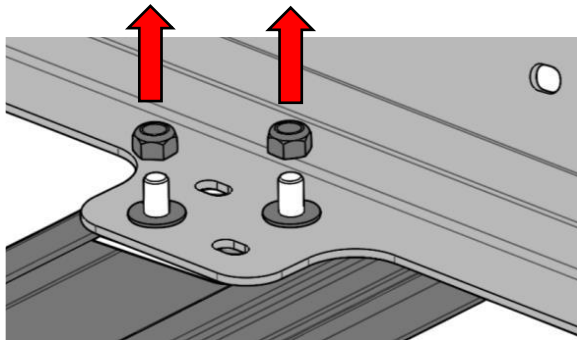
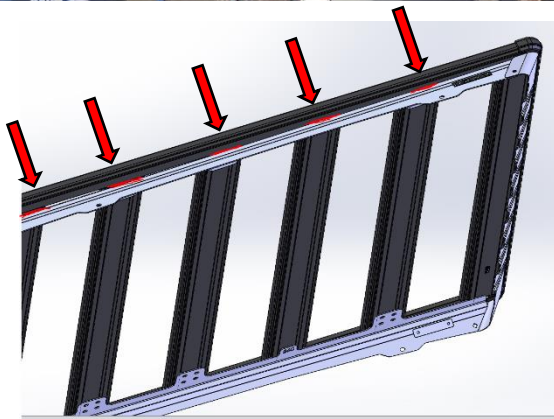
**BAG KIT 3178344 - CONTENTS**

6151916		16	COACH BOLT M8 X 25
---------	---	----	--------------------



# FITTING INSTRUCTIONS

## FITTING INSTRUCTIONS



### 1. Removing base rack from the blade brackets

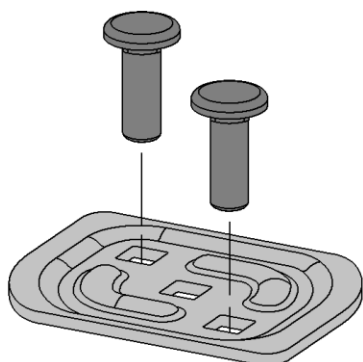
1.1 With assistance, carefully remove the BASE RACK assembly from the vehicle

1.2 Flip the BASE RACK assembly upside down and mark the location of the Blade Brackets on the BASE RACK.

1.3 Unscrew the M8 Nyloc nuts securing BASE RACK to the blade brackets and carefully remove the blade brackets.

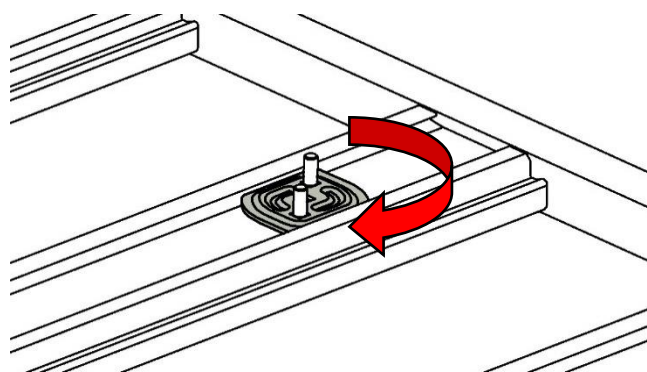
Keep the nuts and washers.

1.4 Rotate the stud plates on the BASE RACK 90 degrees and remove from the base rack channels. Discard the coach bolts (20mm) in the stud plates.

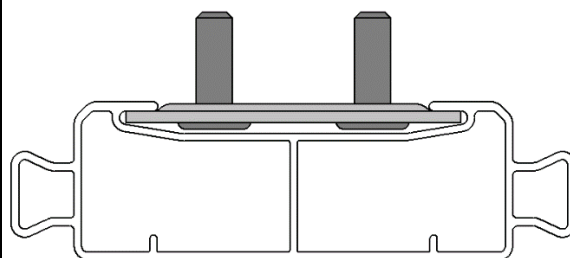


## 2. Assembling the adapter plates to the base rack

2.1 Insert 2x M8 x 25 coach bolts supplied with the kit into each of the Stud Plates as shown.



2.2 Insert the assembled stud plates into the correct BASE RACK channels and rotate the plates 90 degrees until they stop.

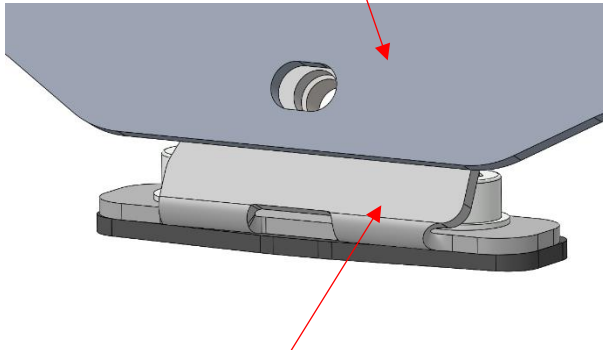


2.3 Place the adapter plates on top of the stud plates through the coach bolts on the stud plates.

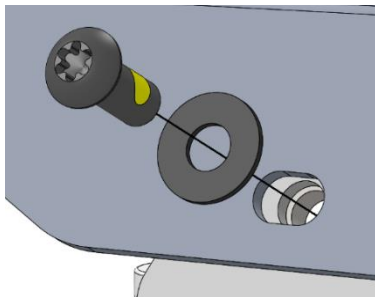
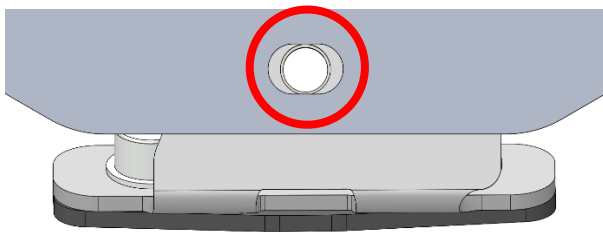


2.4 Assemble the blade brackets back into the base rack as per the respective fitting instructions (noting the location marked previously) and mount to roof of vehicle.

Blade bracket lower end as attached to tent



Mounting bracket as attached to vehicle



1.

**Note:**

1. When you fit the adapter plate, flip the base rack upside down and fit. Please use 1780810 mount kit along with this kit to fit the Altitude Tent to the BASE RACK.

### 3. Assembling a new BASE RACK to a vehicle

3.1 If assembling a new BASE Rack to a vehicle, fit the rack to the vehicle first to ensure all the mounting holes/slots in the blade brackets align with the brackets attached to the vehicle's roof

3.2 Confirm blade bracket holes are correctly aligned to vehicle.

3.2 Use the M8 Button Head Torx screws and M8 Black washers supplied to secure the blade brackets to the roof mounting brackets. Tighten all screw to the specified torque.



**Torque M8 screws to 22Nm**