

# INSTALLATION MANUAL

PRODUCT: **FRONT BUMPER**  
MODEL: **MITSUBISHI L200 (2015-)**  
PART NO: **2D.4001.1**



## CAUTION!

To reduce the risk of serious injury or damage, please read and understand all instructions and procedures before attempting to install or use this product.  
Safety glasses must be worn at all times during installation or maintenance of this product.  
Ensure all mounting bolts are tensioned after 1000 kms and periodically there after.

## NOTICE

Whilst the bumper adds additional protection to your vehicle, precautionary measures still need to be taken to avoid damage.  
Always drive to the conditions and your surroundings.

**EAC** RU C-RU.MT40.B.00184

**ADR69 COMPATIBLE**

**AIR BAG COMPLIANT**

## FRONT BUMPER

**Part Number:** 2D.4001.1  
**Suited to vehicle:** Mitsubishi L200 2015-

**Material:** aluminum/steel  
**Dimensions:** 1950x750x450 mm  
**Weight:** 45 kg

**Compatibility:** RIVAL 4046.1 Underbody Armour



## SAFETY NOTICE

- \* The RIVAL Bumper is designed to compliment the use and design of the specified vehicle under conditions specified by the car manufacturer.
- \* While driving the vehicle at any speed, collision with any other vehicle, animal or object must always be avoided.
- \* Following any collision with any other vehicle, animal or object, the RIVAL Bumper and the vehicle must be inspected by a specialized or suitably qualified vehicle repairer for possible damage to the components and assemblies in order to confirm suitability for further use of the vehicle.
- \* It is strongly recommended that you do not operate a vehicle with a damaged bumper or its components. In the case of damage, please contact the nearest RIVAL dealer.
- \* The operation of a vehicle where the bumper is not properly attached and fastened to the vehicle, or where the bumper has been damaged, is extremely dangerous and must be avoided at all cost.
- \* It is recommended that you carry out regular inspections of all the bumper elements such as all bolts, wires, connectors.

## INSTALLATION NOTICE

- \* The RIVAL Bumper must be mounted and affixed to the vehicle according to this installation manual.
- \* Personal safety during the installation process must be adhered to at all times and the use of personal safety equipment is highly recommended.

## REQUIRED TOOLS

- \* Basic tool kit
- \* Electric drill
- \* Angle grinder
- \* Drill set
- \* Cross-recessed and slotted screwdrivers
- \* Torque wrench
- \* Box knife
- \* Marker

## TORQUE SETTING

- \* M6 9 Nm
- \* M10 44 Nm
- \* M12 77 Nm

### \*ADR69 AND AIR BAG SYSTEM

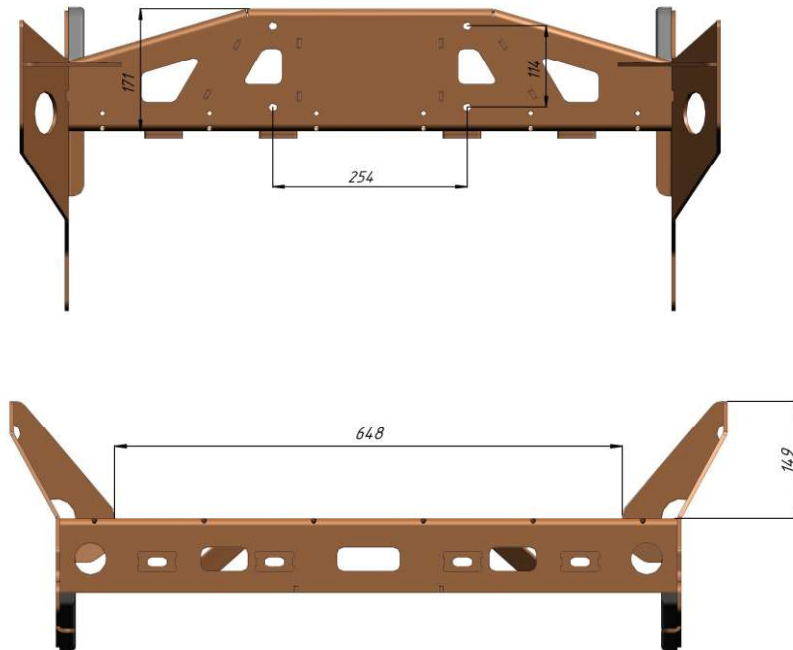
The RIVAL Bumper has been tested and certified to be compatible with ADR69 and will not affect the operation of the Air bag System on this vehicle.

This product or mounting brackets must not be modified in any way, and must be fitted in accordance with the installation instructions.

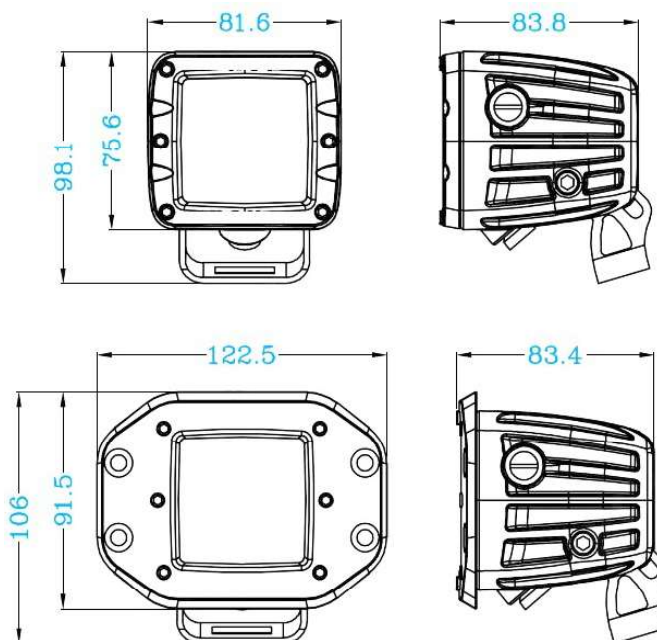
## \*WINCH INSTALLATION

A winch with a pull capacity of up to 12000 lb can be installed with the RIVAL Bumper. It is not advisable to exceed this pulling capacity since damage, injury or death may occur where the 12000lb recommended capacity is exceeded. There is a special license plate holder supplied with the bumper which will provide access to the winch.

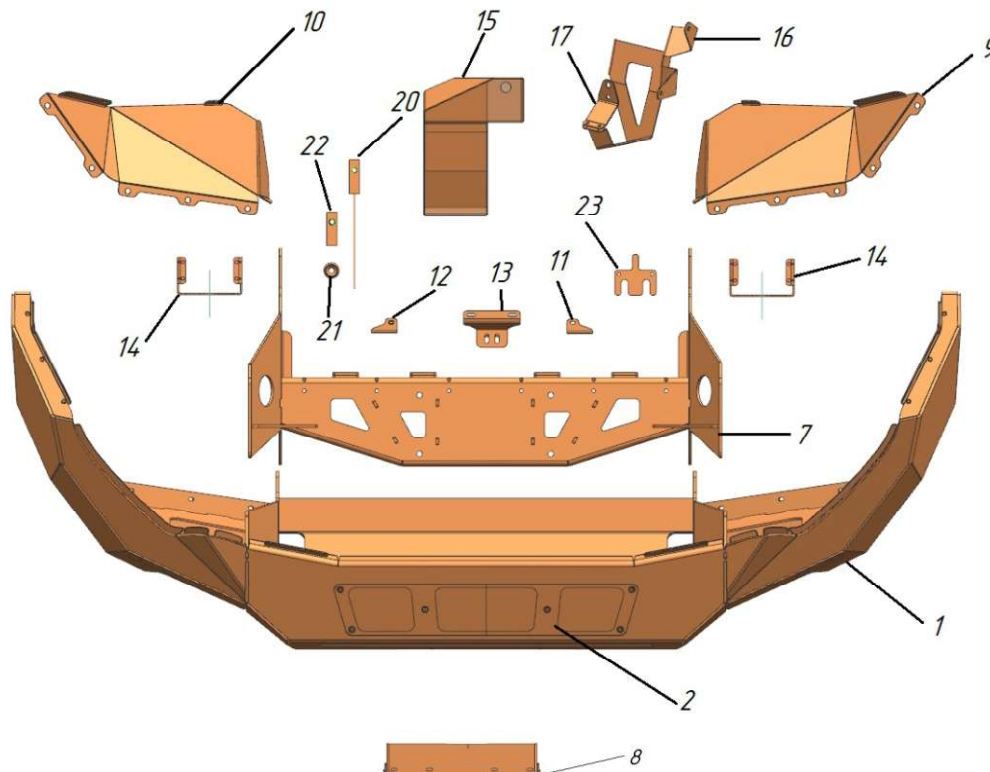
### Winch measurements:



### Compatible with LED size below:



1. Facia assembly.....	1 pc.	20. Captive nut M10.....	2 pcs.
2. Cover.....	1 pc.	21. Countersunk washer.....	4 pcs.
3. Bracket of sealant 1.....	2 pcs.	22. Captive nut.....	2 pcs.
4. Bracket of sealant 2.....	2 pcs.	23. Adjustment shim.....	4 pcs.
5. Bracket of sealant 3.....	2 pcs.	24. Bolt M10x35.....	6 pcs.
6. Bracket of sealant 4.....	2 pcs.	25. Bolt M10x1,25x35.....	2 pcs.
7. Bracket assembly.....	1 pc.	26. Bolt M10x30.....	6 pcs.
8. VIN plate assembly.....	1 pc.	27. Bolt M12x35.....	2 pcs.
9. Left flap.....	1 pc.	28. Screw M6x16.....	16 pcs.
10. Right flap.....	1 pc.	29. Screw M6x20.....	18 pcs.
11. Left bracket of radiator grill.....	1 pc.	30. Screw M10x30.....	4 pcs.
12. Right bracket of radiator grill....	1 pc.	31. Caged square nut 6.....	16 pcs.
13. Central bracket of the grill.....	1 pc.	32. Thin self-regulating nut 6.....	4 pcs.
14. Light assembly bracket.....	2 pcs.	33. Thin self-regulating nut 10.....	8 pcs.
15. Washer reservoir assembly.....	1 pc.	34. Thin self-regulating nut 12.....	2 pcs.
16. Bracket of reservoir 1.....	1 pc.	35. Plain washer 6.....	8 pcs.
17. Bracket of reservoir 2.....	1 pc.	36. Extra thick washer 6.....	6 pcs.
18. LED lamp, distance head (depending on the part listing)	2 pcs.	37. Extra thick washer 10.....	22 pcs.
19. Lamp cover (depending on the parts listing).....	2 pcs.	38. Extra thick washer 12.....	6 pcs.
		39. Plain washer 12.....	2 pcs.
		40. Plastic hose tie (290x3.6 mm)....	10 pcs.
		41. Pop rivet (4.8x12).....	20 pcs.
		42. Sex bolt M6.....	6 pcs.







1. Open the hood.  
Disconnect terminal “-” from the vehicle battery.



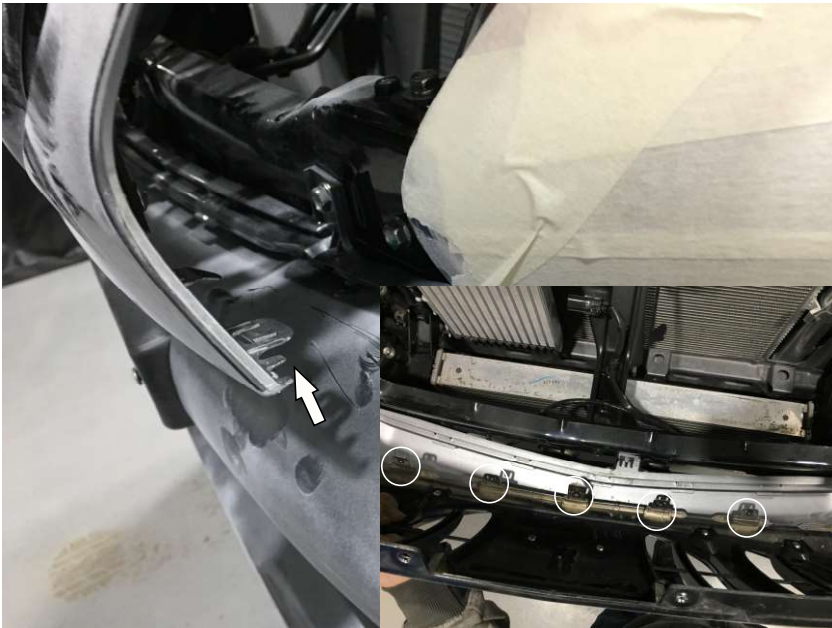
2. Remove the plastic pad clip.  
Dismantle the clip.

***\*Preserve fittings for subsequent installation.***



3. Remove the radiator grill clips.

***\*Preserve fittings for subsequent installation.***



4. Dismantle the radiator grill. Carefully pull the grill edge by unlatching the latches.



5. Unscrew 3 tension bolts of the bumper.

***\*Preserve fittings for subsequent installation.***



6. Unscrew 4 bolts on each side of the vehicle arches.

***\*Preserve fittings for subsequent installation.***





7. Unscrew the splash guard self-tapping screw

***\*Preserve fittings for subsequent installation.***



8. Unscrew the self-tapping screw and remove the splash guard clips. Dismantle the splash guard.

***\*Preserve fittings for subsequent installation.***



9. Remove 3 clips at the bottom.

***\*Preserve fittings for subsequent installation.***



10. Mark the pad cutting line



11. Dismantle the wing plastic pad



12. Dismantle the plastic bumper



13. Disconnect wiring from the lights





14. Unscrew bolt and self-tapping screw of the plastic clamber. Dismantle the clamp.

***\*Preserve fittings for subsequent installation.***



15. Screw the lamp tension bolt back in.



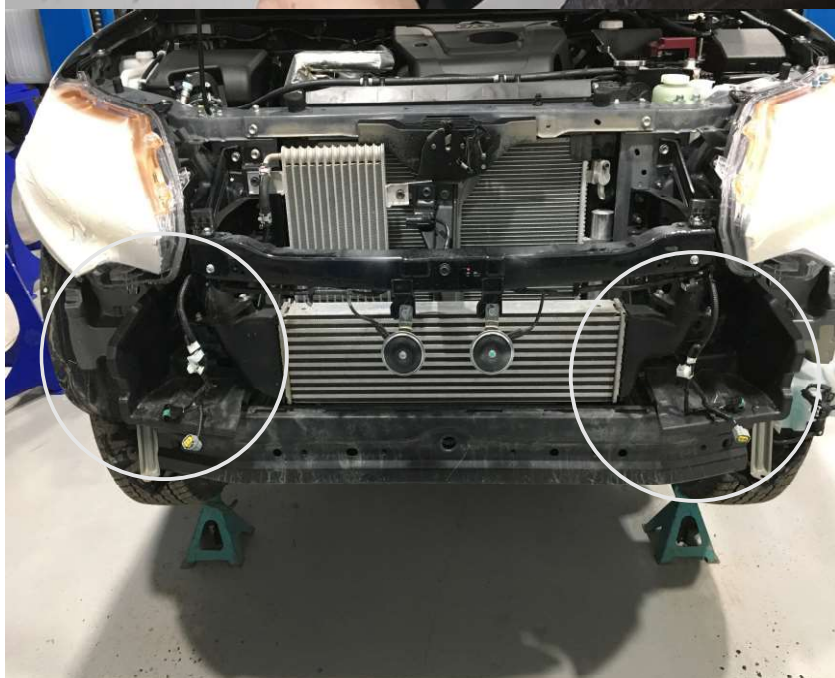
16. Unscrew retaining nuts of the bracket and dismantle the bracket.

***\*Preserve fittings for subsequent installation.***



17. Dismantle plastic mudguards

***\*Preserve fittings for subsequent installation.***



18. Remove the clips of plastic deflectors.  
Dismantle the deflectors.

***\*Preserve fittings for subsequent installation.***



19. Remove the washer reservoir tank filler. Disconnect wiring from the washer reservoir. Dismantle the washer pump.

***\*Preserve fittings for subsequent installation.***





20. Unscrew 3 tension bolts of the washer reservoir. Dismantle the washer reservoir.

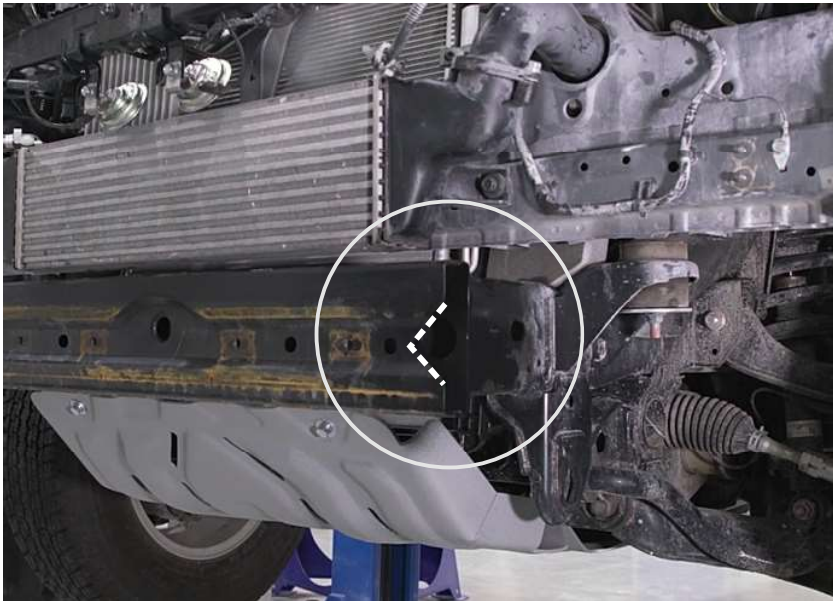


21. Mark the safety beam flush with the frame lateral surface.



22. Cut off the safety beam side members

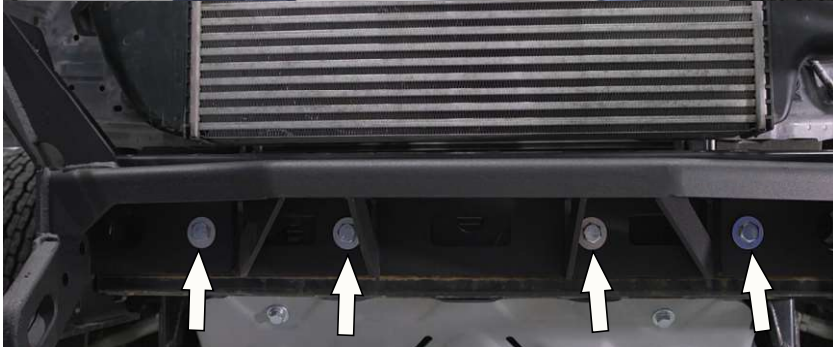




23. Make cutouts in the safety beam. Scarf and paint all trimming points.



24. Install the winch mounting bracket onto the vehicle.



25. Screw 4 bolts M10x1.25x35 in threaded holes on the beam front.

**\*Do not tighten the screw joints**



26. Insert the captive nut inside the frame

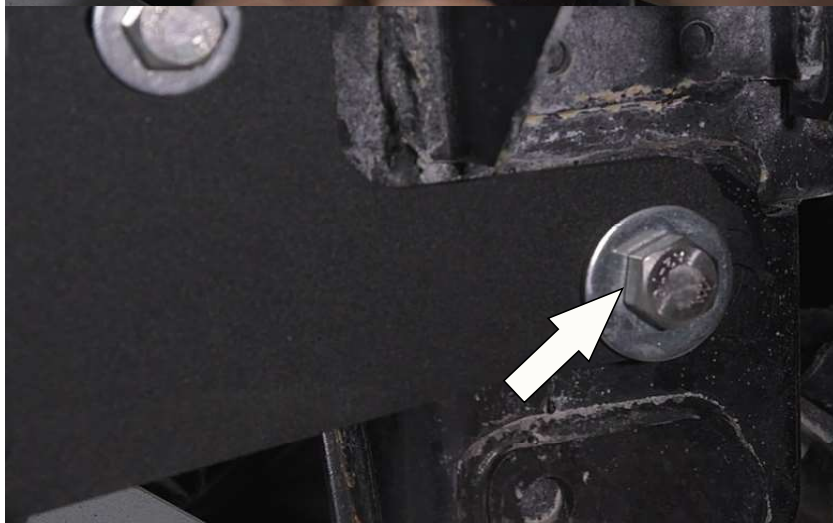


27. Screw bolt M10x1.5x35 in the embedded part and bolt M10x1.25x35 in the beam hole.

**\*Do not tighten the screw joints.**

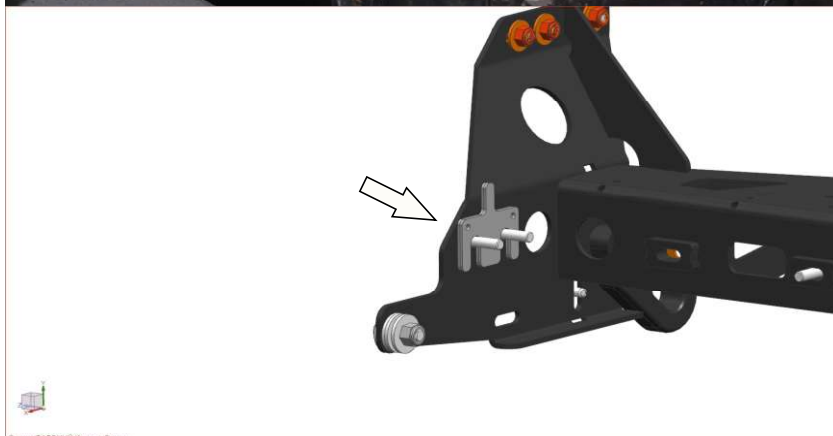


28. Place 2 washers between bracket and frame on each side.



29. Insert bolt M12x35 in the hole and screw on nut and washer the other way round.

**\*Do not tighten the screw joints.**



30. Insert 2 adjustment shims on both sides of the bracket.

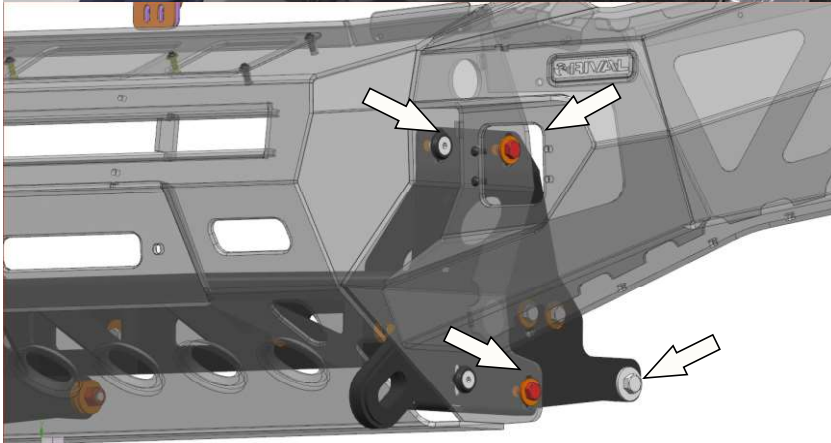




31. Tighten all screw joints of the bracket to the vehicle frame.



32. Install aluminum fascia onto the bracket.



33. Screw in the bolts which connect fascia and bracket

**\*Do not tighten the screw joints and ensure fascia mobility.**



34. Adjust the bumper position in relation to the vehicle body. Where applicable, ensure even clearance of 15-22 mm. If required, move the bumper in cross direction, return to paragraph 29 and reposition adjustment shims.

35. Tighten all screw joints of the fascia fastening to the bracket.





36. Install lights onto the brackets.



37. Install the lights into the bumper using 4 screws M6x16 by adjusting their position.



38. Displace rubber sealants, filler pipe and pump out of plastic washer reservoir. The level sensor is not installed.



39. Install the washer reservoir bracket at the front of the body using standard fittings.



40. Install the washer reservoir using the bracket and standard fittings.



41. Draw tight 2 mounting brackets of the reservoir using bolts M6x20, nuts and washers.

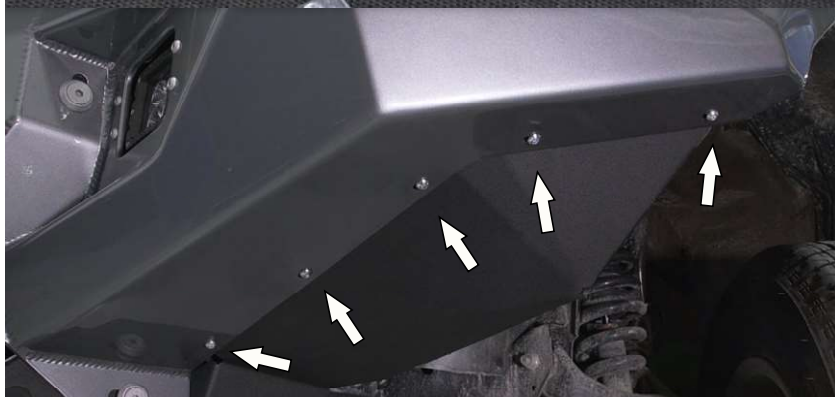
42. Tighten all screw joints of the reservoir fittings to the vehicle body.



43. Connect wiring to the reservoir pump. Secure wiring and the washer hose by plastic clamps. Install filler port in reverse order.



44. Install caged nuts onto the flap



45. Install the flaps onto the vehicle using screws M6x20



46. Cut out part of the mudguard as shown on the left.







47. Install mudguards onto the vehicle and mark the cutting line.

48. Dismantle the mudguard and cut it down the marked line.



49. Install the mudguard onto the vehicle, mark drilling points opposite the holes of the flap and drill the flap holes.



50. Install caged nuts onto the flap.



51. Secure mudguards to the flaps using screws M6x20 and washers.



52. Cut down the marked line and install side pads and splash guards onto the vehicle in reverse order.



53. Install central mounting bracket of the radiator grill.



54. Unscrew bolts on each side.



55. Unscrew specified screws on each side of the radiator grill.



56. Fasten the side brackets.



57. Install the radiator grill onto the vehicle. Fasten the side brackets. Use standard fittings.



58. Fasten the central bracket.





59. Install plastic pad in reverse order.



60. Connect terminal “-” of the battery.

**Before operating a vehicle fitted with a RIVAL Bumper:**

- make sure all fittings are tightened
- check winch operation
- check all electrical wiring attached to lights

