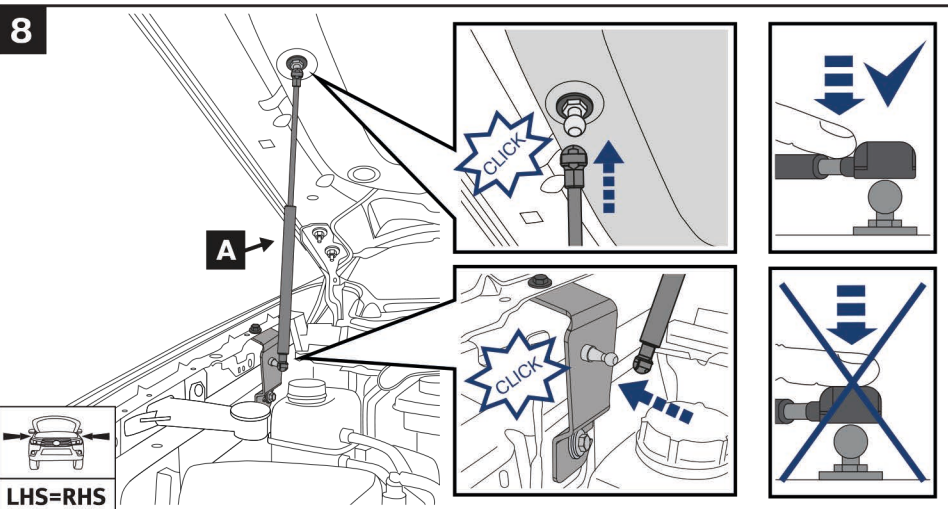
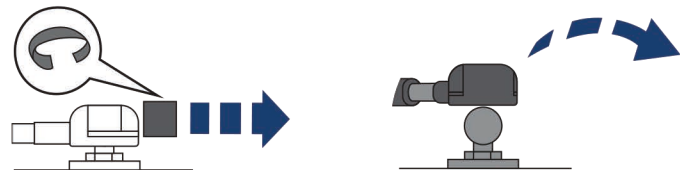


Pump struts 5 times to let them cycle through before installation.



! If it's needed to remove installed gas strut, disassemble how shown on the picture.



After installation, check the correct operation of all elements.



Ford Ranger Ford Ranger Raptor Ford Everest

HOOD STRUT KIT
Installation Instructions



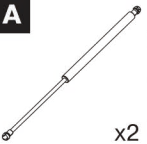
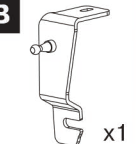
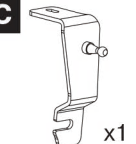


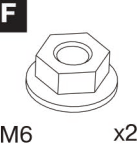



Model year: 2022 - Present

Part No.: 2A.ST.1814.1

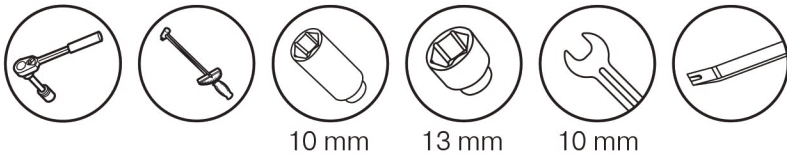
Compatibility: All trims

Weight: 1 kg

Installation time: 30 min

A  x2	B  x1	C  x1	D  x2	E  x2	F  M6 x2
G  M6x20 x2	H  Ø6 x4	 Installation Instructions			

Required Tools:



Attention!

Before installation of gas struts, open the hood and check that there is no additional equipment installed in engine bay which can block installation.

