



RHINO-RACK®

Stow It Utility Holder - Regular

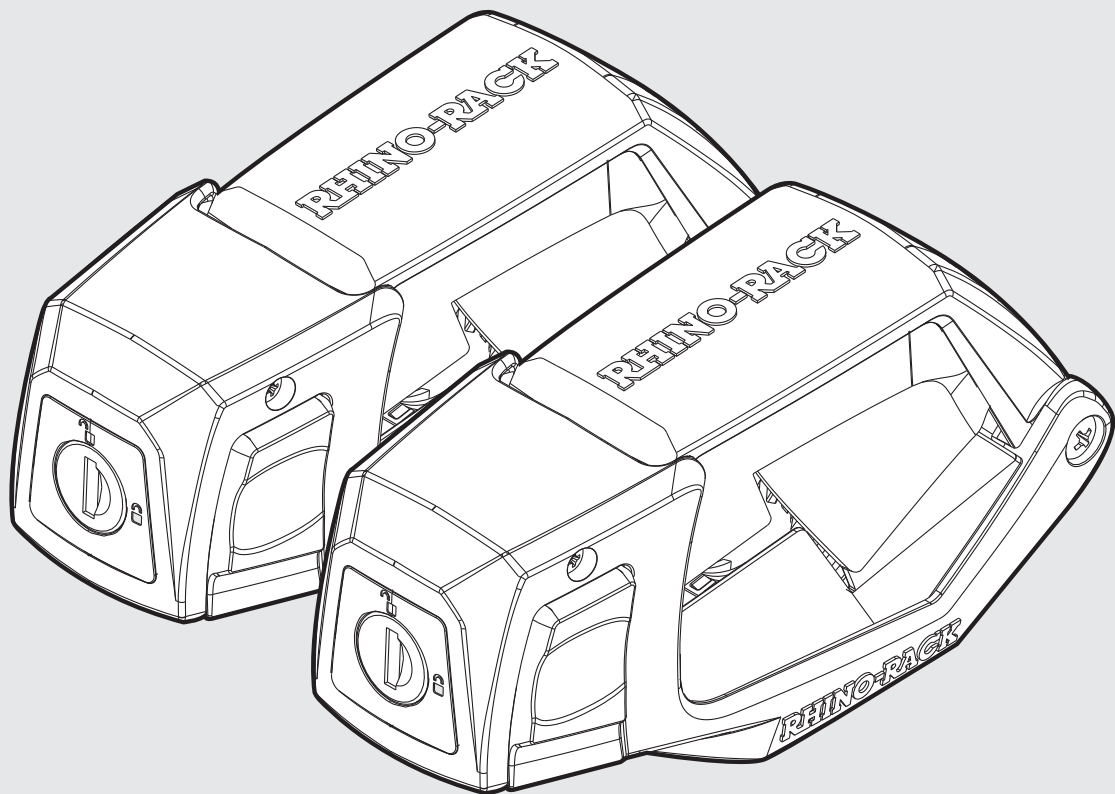
RSIT2

Important:

1. Check the Rhino-Rack website to ensure you have the latest issue of these instructions.
2. Please refer to your fitting instruction to ensure that the roof racks are installed in the correct locations.
3. Check the contents of kit before commencing fitment and report any discrepancies.
4. Place these instructions in the vehicle's glove box after installation is complete.
5. These instructions must be followed for warranty to be upheld.

Fit Time: 15 mins

STOW it™



RHINORACK.COM

Doc. No: 520-RFI-00142

Issue No: 01

Issue Date: 16/05/2023

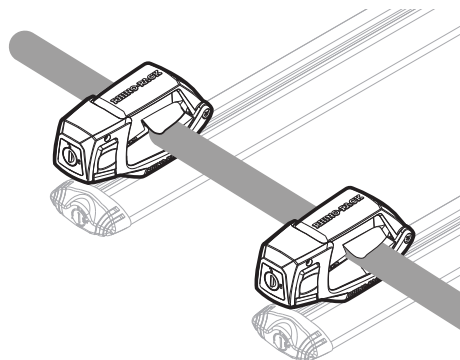
Carrying Capacity

Refer to vehicle manufacturer's carrying load rating for roof bars.

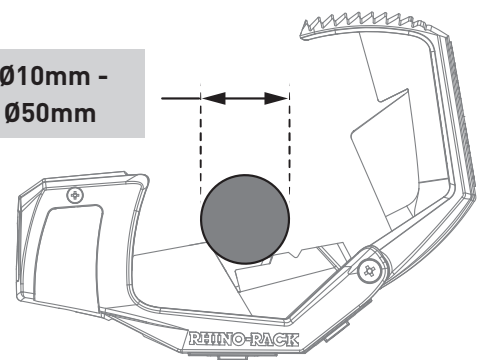
Ensure that all loads are evenly distributed and that the centre of gravity is kept as low as possible.

Max. load carrying capacity per pair

8kg / 18lbs



Min Ø10mm -
Max Ø50mm



Warning

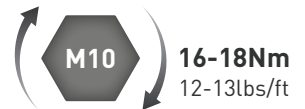
- Do not attempt to fit the accessory to your vehicle unless you fully understand these fitting instructions. Please direct any questions regarding fitting to the dealer from where the product was purchased.
- Off-road conditions can be much more rigorous. Extreme care must be taken in off road conditions.
- Accessory must be removed when vehicle is put through an automatic car wash.
- Always ensure you fasten your load securely.
- Ensure product is locked before driving.

In service maintenance checks

- All bolted connections should be checked after driving a short distance when you first install your roof racks & accessories.
- All bolted connections should be checked again at regular intervals (every 1000k/621mi) is recommended, depending on road conditions, usage, loads and distances travelled). All bolted connections should be checked each time they are re-fitted.

Torque Settings:

Unless stated otherwise in these instructions, all fasteners should be set to the following torque settings:



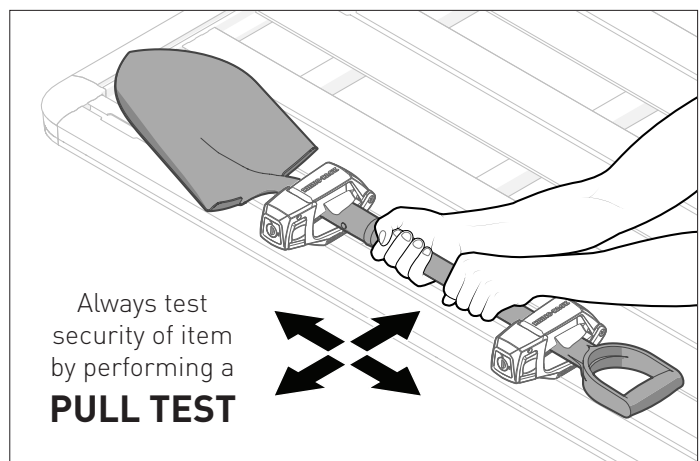
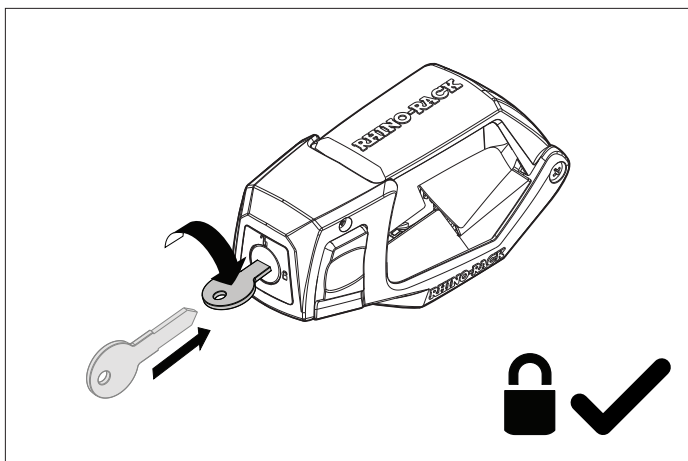
Sensitivity to Crosswinds, Behaviour in Curves and Braking.

Remember that the handling characteristics of your vehicle will change when transporting a load on the roof.

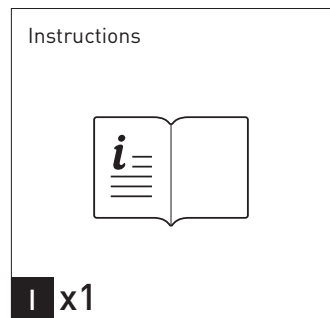
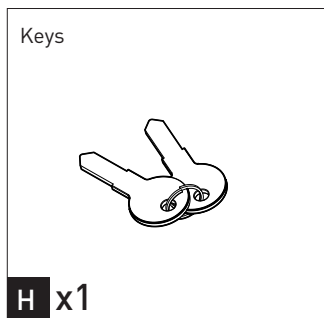
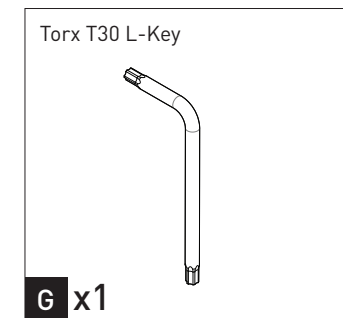
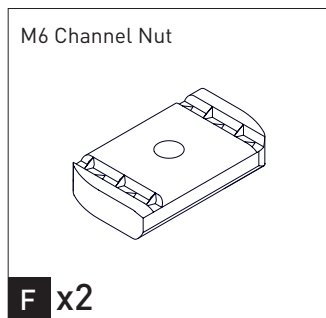
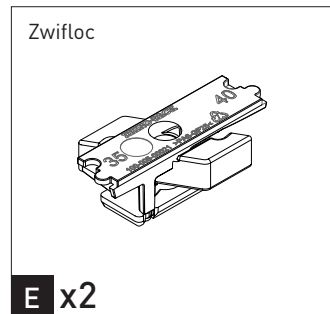
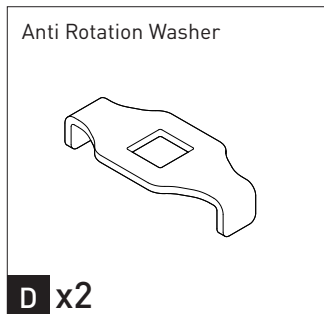
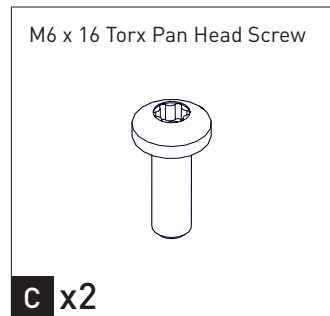
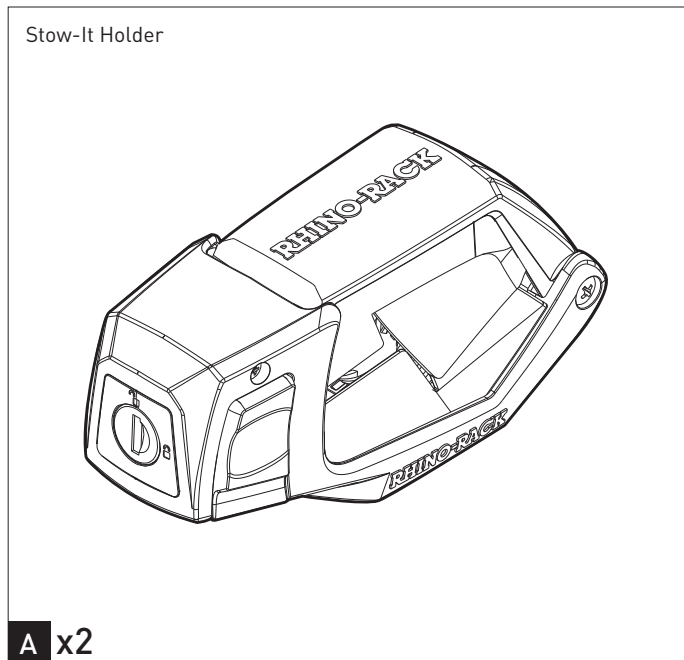
Exercise extreme care when transporting wind-resisting loads; special consideration must be taken into account when braking.

Note for Dealers and Fitters

It is your responsibility to ensure these fitting instructions are given to the end user or client. These instructions remain the property of Rhino-Rack Australia Pty. Ltd. and may not be used or changed for any other purpose than intended.



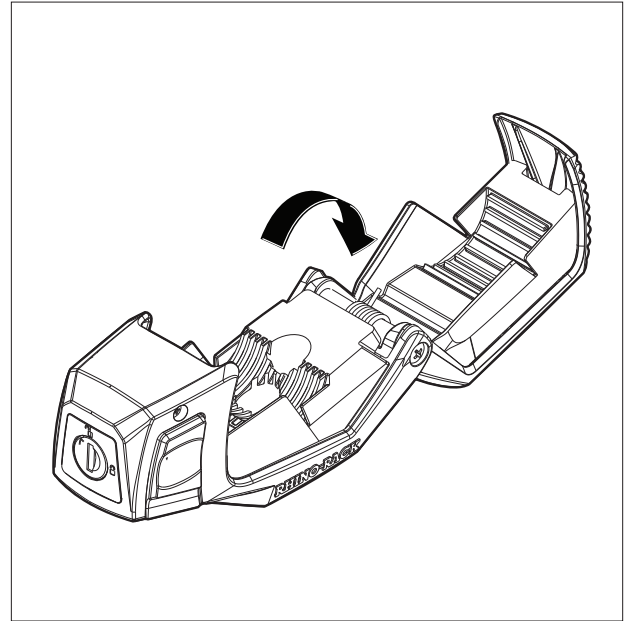
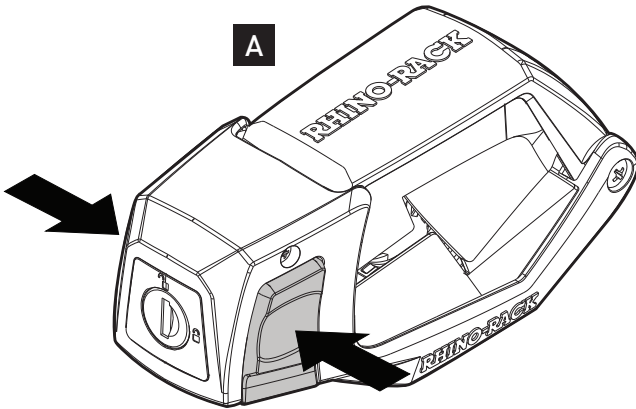
Parts List



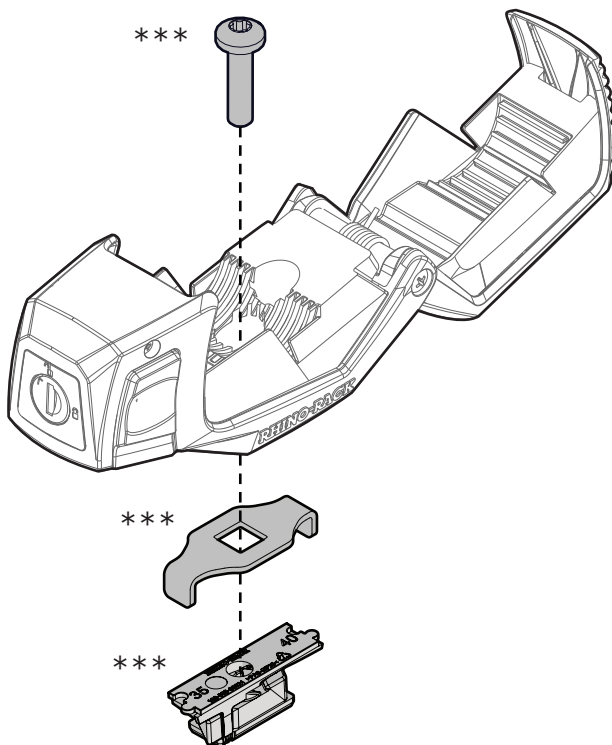
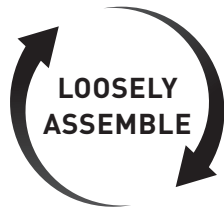
Compatibility Table

*HEAVY DUTY BAR	**VORTEX BAR	**ACCESSORY BAR	*RECONN DECK BAR	*PIONEER PLATFORM
		 (Used on the Platform)		

1

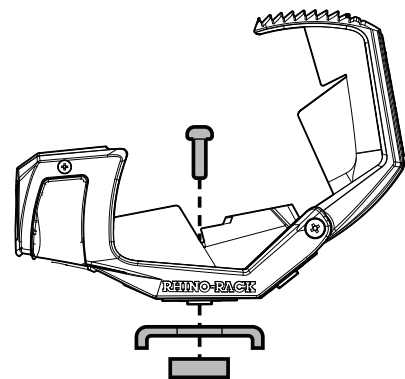


2

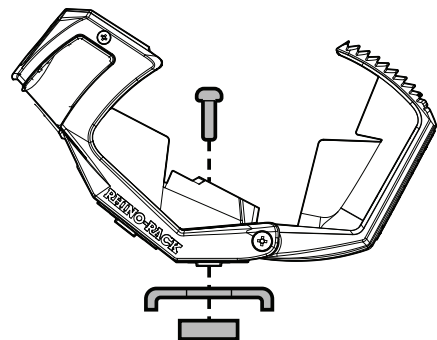


***Refer to **Compatibility Table** on Page 3 for required hardware.

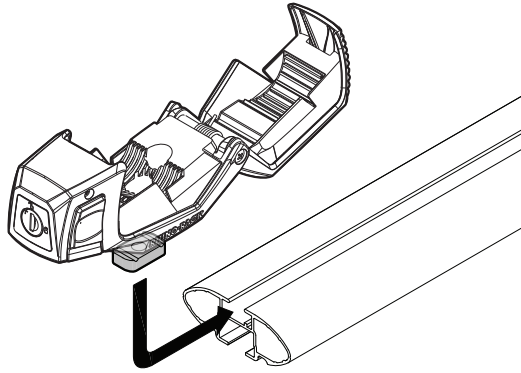
MOUNTING OPTIONS:



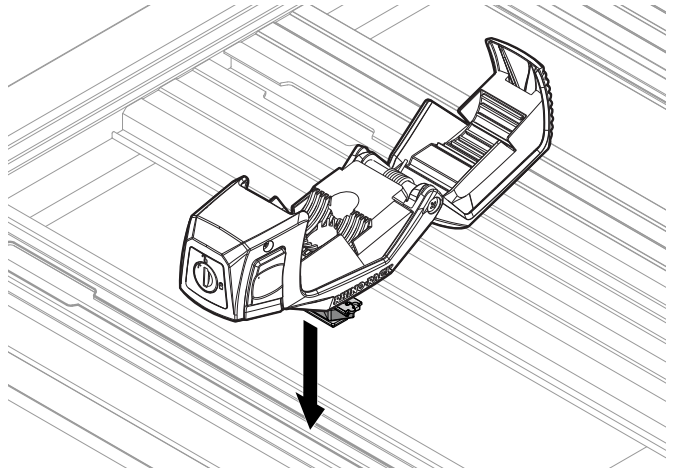
OR



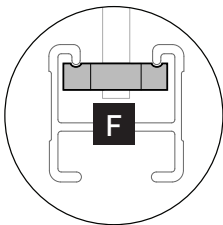
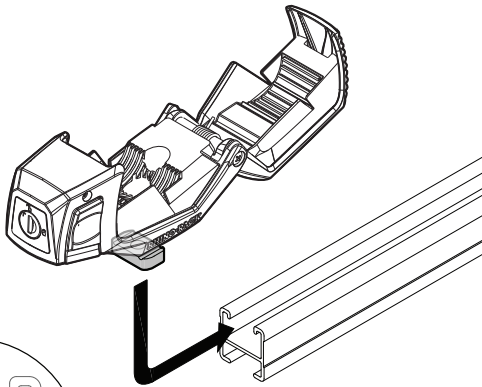
3 Channel Nut with Vortex and Accessory Bar:



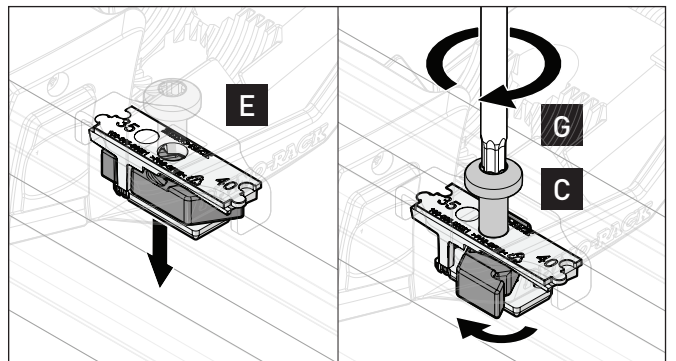
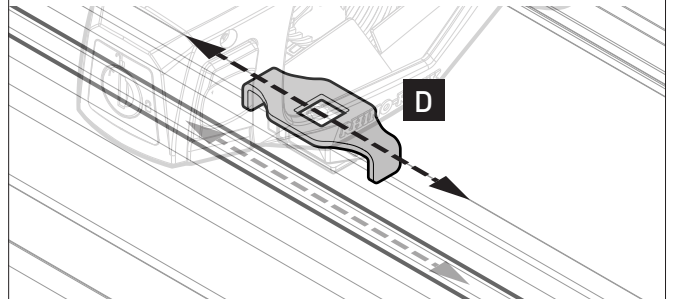
Zwifloc with Pioneer and Reconn Deck Bar:



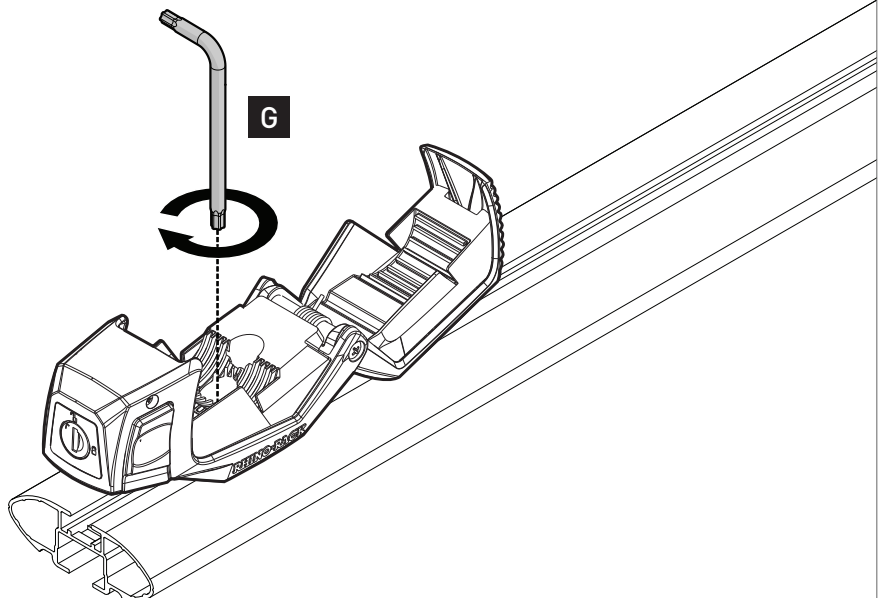
Channel Nut with Heavy Duty Bar:



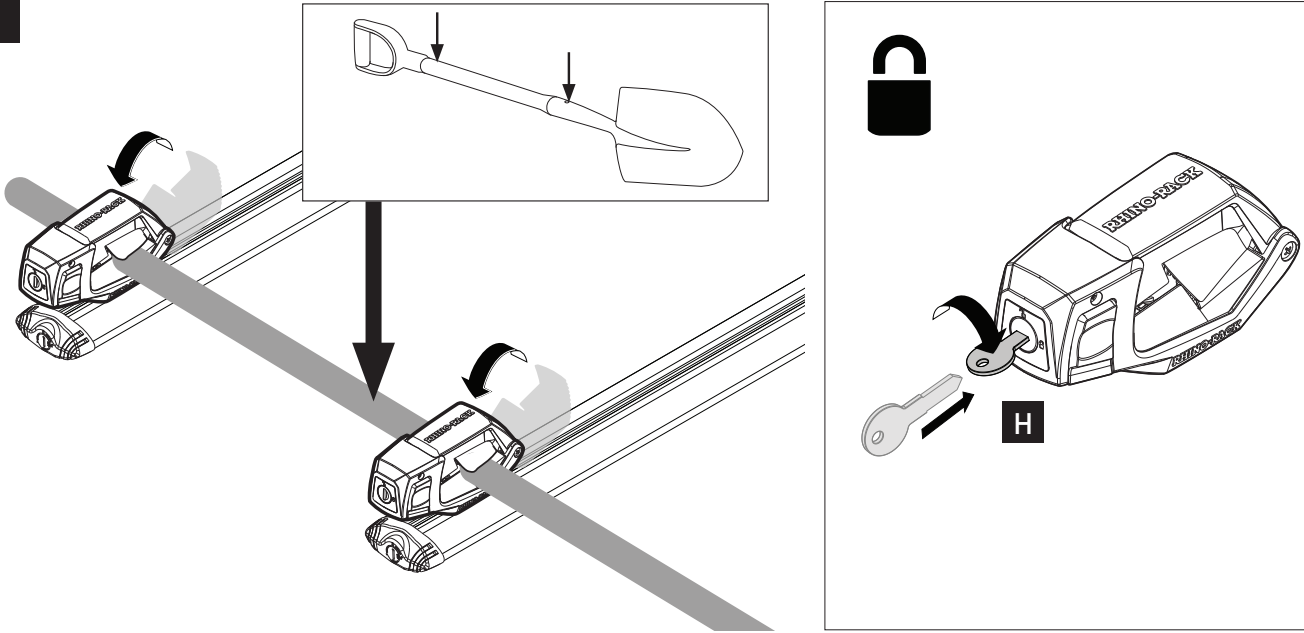
Match Anti-Rotation Washer direction with channel direction



4

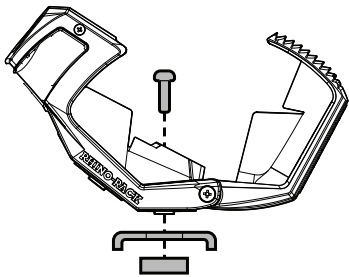


5

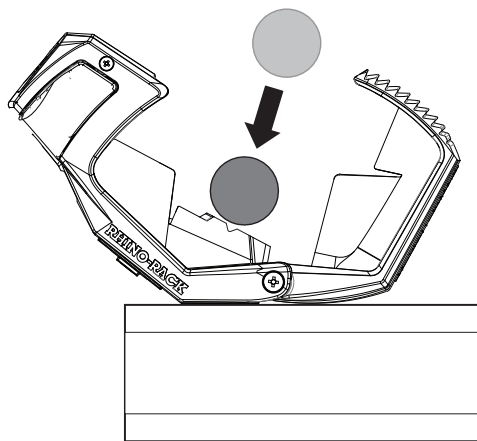


NOTE:

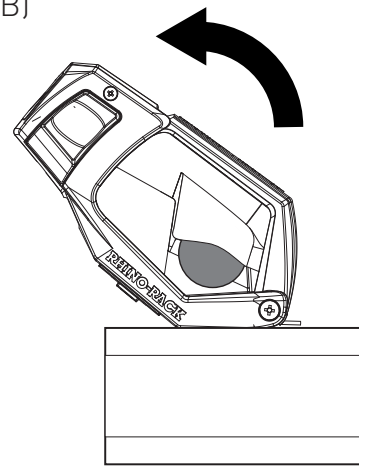
For 10mm or slightly larger diameter loads.



(A)

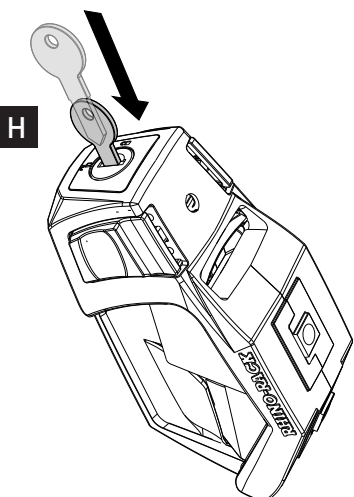


(B)

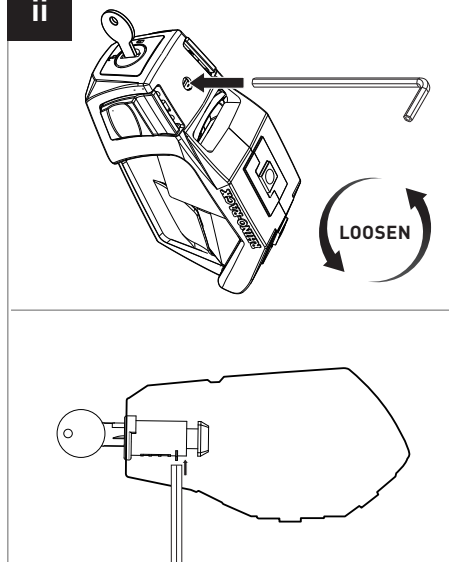


LOCK BARREL REMOVAL

i



ii



iii

